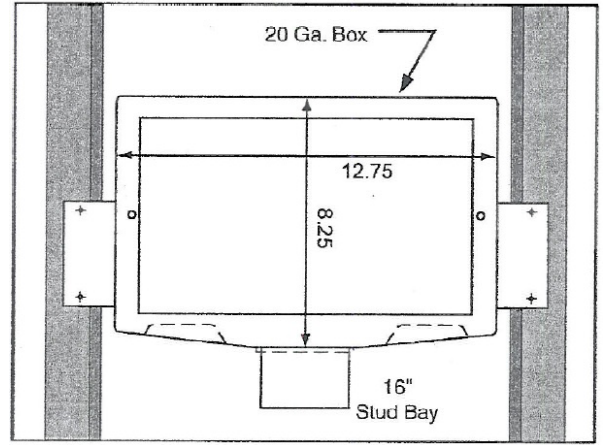
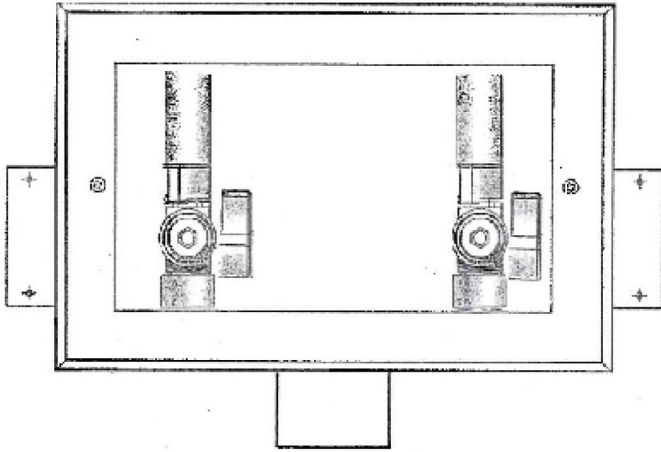


SPECIFICATION SUBMITTAL SHEET



CENTER DRAIN WHITE POWDER COATED WMOB w/ Quarter Turn Arrestor Valves



Specifications:

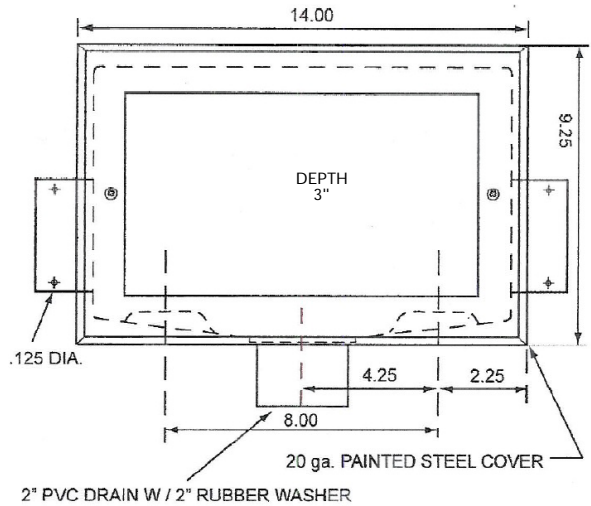
Furnish and install center drain white powder coated cold rolled steel washing machine outlet box with integral hammer arrestor quarter turn valves. Unit shall be Guy Gray product code as manufactured by IPS Corporation.

Box Material:

White Powder Coat on Cold Rolled Steel
20 gauge box and 20 gauge faceplate

Valve and Drain Options:

Qtr. Turn Valves with 1/2" MIP/Sweat or CPVC connection furnished. 2" Slipnut or PVC Drain. Valves comply with ASME A112.18.1. Hammer arresters comply with ASSE 1010.



Item #	Product Description	Model #	Quantity
82159	1/2" Qtr. Turn CPVC Valve w/Arrstrs, 2" PVC Drain Fitting	T200TPCPVCHA	6
82158	1/2" Qtr. Turn MIP/Sweat Valve w/Arrstrs, 2" PVC Drain Fitting	T200TPPVCHA	6

