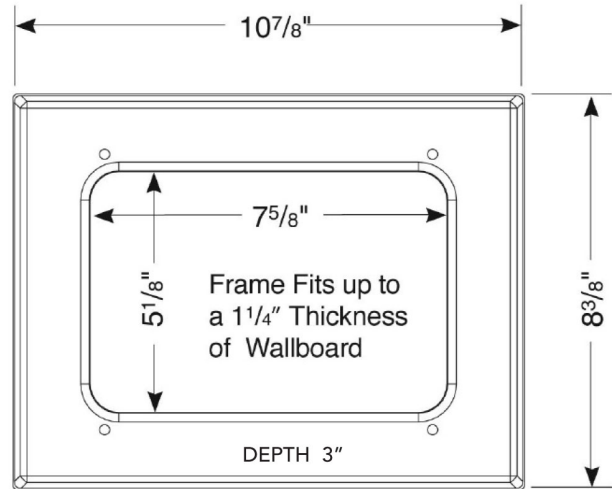
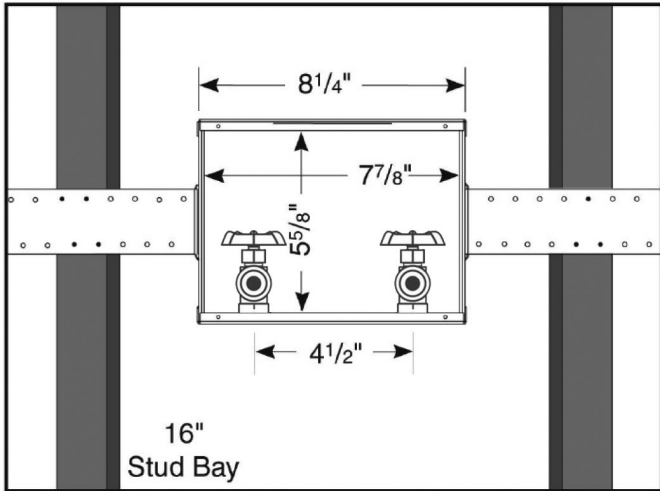


SPECIFICATION SUBMITTAL SHEET



STAINLESS STEEL WMOB with Domestic Valves



Specifications:

Furnish and install stainless steel washing machine outlet box. Unit shall be Guy Gray product code checked below as manufactured by IPS Corporation.

Box Material:

304 Stainless Steel, 20 gauge

Valve & Drain Options:

Domestic Valve with 1/2" MIP/Sweat connection furnished. Slipnut drain and locknut included (82171 only). Valves comply with ASME A112.18.1

| Item # | Product Description | Model # | Quantity |
|--------|---|---------|----------|
| 82171 | Stainless Steel Center Drain, 1/2" Domestic Sweat Valves | SSWB2 | 5 |
| 82174 | Stainless Steel Drain Outlet Box w/2" drain opening & Kit | SSDB1 | 5 |

