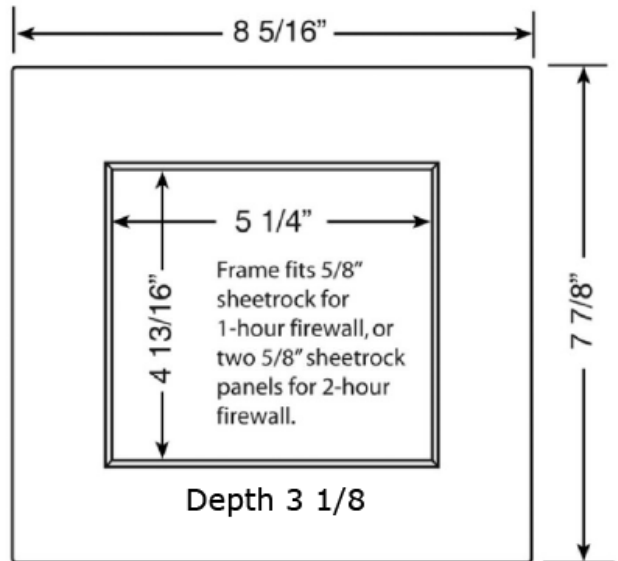
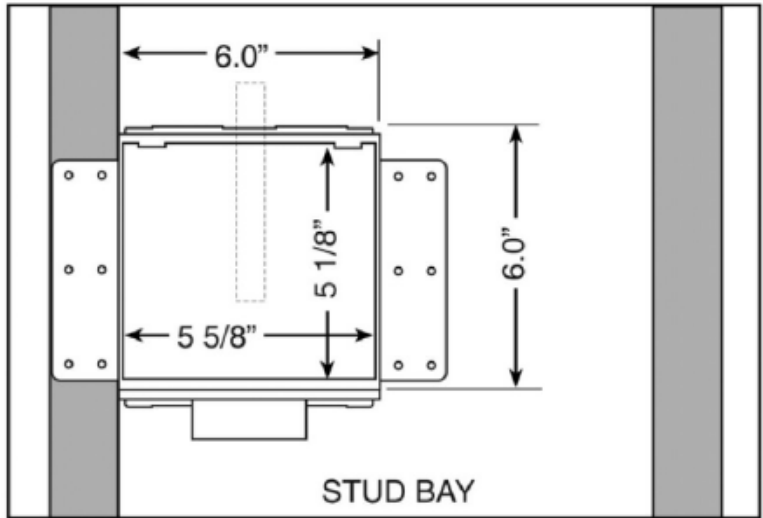
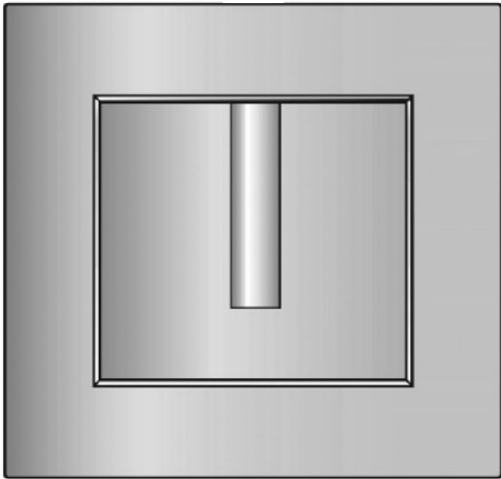




“FR-12” AUXILIARY DRAIN OUTLET BOX



**SPECIFICATION**

Furnish and install fire rated recessed auxiliary drain outlet box. Unit shall be Guy Gray product #82458 as manufactured by IPS Corporation.

**BOX MATERIAL**

PVC Resin & Intumescent Pad attached

Product Code #	Product Description	Model Number	Units/ Case
82458	Fire Rated Auxiliary Drain Outlet Box	FRAD12	5

