



P.O. Box 3365 South El Monte, CA 91733 626.444.0541 Fax 626.444.3887 www.Afcon.org

551

**REVOLVER™
THREADED BRACKET**

SIZE - 3/8" rod.

MATERIAL - Carbon Steel.

FINISH - Plain, E.G. and S.S.

LISTING/APPROVAL -

UL[®] 203 - EX 2551

PATENT - No. 6,568,642

FUNCTION - Listed to support max. 4" Steel, CPVC or Copper pipe.

Listed hanger component per NFPA 13.

INSTALLATION - per NFPA 13. Space by pipe type.

Install on vertical mounting surface of wood, concrete or steel.

Center hole accepts 3/8" and 1/2" NFPA 13 fasteners.

ADDITIONAL UL LISTED FASTENERS PER NFPA 13 FOR STEEL PIPE LOADS -SEE TABLES..

FEATURES

* **Universal fastener array for enhanced mounting.**

* Double fastener installation allows:

Vertical - Hangs plumb from first fastener.

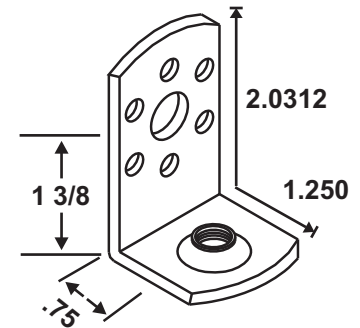
Stops wood splitting along the grain.

Horizontal - When vertical space is limited.

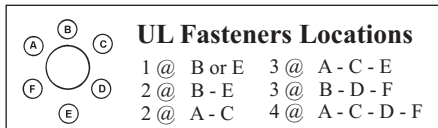
* **Radius-Tapped orifice:** Aligns rod for easy thread engagement and eliminates structural deficiencies associated with rod inserts.

* **No speed/pal nuts** required.

ORDERING - Part # and finish.



The purlin lip is not capable of supporting NFPA 13 fire sprinkler pipe at 1(wt.) +250 lbs min. When manufacturers specify 200 lbs. max.



Wood - No Pre Drill			Steel - 1/4 or #14 Tek			Steel - #10 SMS or #905		
Min. Fastener	Min. Qty.	Max. Pipe	Min. Thickness	Min. Qty.	Max. Pipe	Min. Thickness	Min. Qty.	Max. Pipe
1/4 x 1 1/2 Lag	1	2	14 GA.	1	3	18 GA.	1	2 1/2
	2	4		2	4		2	3
#14 x 1 1/2 SMS	1	2	16 GA.	1	2 1/2		3	4
	2	4		2	4	20 GA.	2	3
#16 x 2 DS	2	2	18 GA.	1	2 1/2		4	4
	3	4		2	3	22 GA.	3	3
				3	4			
Wood - Thru 5/8" Gyp.								
1/4 x 2 Lag	1	2	20 GA.	* 1	2			
	2	4	* @ B ONLY	2	3			
				3	4			
#14 x 2 SMS	1	2						
	2	4	22 GA.	3	2 1/2			

DS= Drive Screw
SMS = Sheet Metal Screw
Lag= Lag Bolt
Gyp= Gypsum Board

