

450 Series

Solid Front • Field Liquid Fillable • Turret Case

PROCESS GAUGES



450B shown



- ▶ 4 1/2" Dial Size
- ▶ ±0.5% Accuracy
- ▶ Solid Front/Blow-Out Back
- ▶ Field Liquid Fillable

The Trerice **450 Series** Process Gauge is designed for the petrochemical and industrial process industries. This solid front, blow-out back gauge is noted for its fiberglass reinforced polypropylene turret case and screwed ring; its sturdy interior design; and its field liquid-fill capability (no kit required). The 450 Series can withstand the most rugged industrial applications, while maintaining precise accuracy. Wetted parts are bronze tube/brass socket, stainless steel, or Monel.

- **Optional features available: Please consult the Options & Accessories Section for details.**
- **For correct use and application of all pressure gauges, please refer to: Pressure Gauge Standard ASME B40.100.**

Specifications

| Models | Wetted Parts |
|--------------------------------|---|
| 450B (dry) | } Bronze tube, brass socket |
| 450LFB (liquid-filled) | |
| 450SS (dry) | } 316L stainless steel* tube and socket |
| 450LFSS (liquid-filled) | |
| 450M (dry) | } Monel tube and socket (meets NACE MR 01.75) |
| 450LFM (liquid-filled) | |

| | |
|-------------------|---|
| Dial Size | 4 1/2" |
| Fill | Glycerine. Other fills available. See Options & Accessories |
| Movement | Stainless steel |
| Connection | Lower male or lower back male, 1/4 or 1/2 NPT |
| Case | Fiberglass reinforced polypropylene, turret, solid front with blow-out back |
| Ring | Threaded fiberglass reinforced polypropylene |
| Window | Acrylic |
| Pointer | Micro adjustable, black finished |
| Dial Face | Aluminum, white background with black graduations and markings |

Additional Features
Overload and underload stops

Accuracy
±0.5% Full Scale, ASME B40.100 Grade 2A

Maximum Temperature
450B, 450SS, 450M:
250°F (121°C)
450LFB, 450LFSS, 450LFM:
150°F (65°C)

Approximate Shipping Weight
450B, 450SS, 450M:
2.2 lbs [1.00 kg]
450LFB, 450LFSS, 450LFM:
3.1 lbs [1.41 kg]

* Ranges over 10,000 PSI have Ni-Span-C tube.

HOW TO ORDER

Sample Order Number: **450LFB 45 02 L D 110**

| Model | Dial Size | Connection Size | Connection Location | Units of Measure | Range Code |
|----------------|-----------|------------------------------|---------------------|-----------------------------------|---------------------|
| 450B | 45 4 1/2" | 02 1/4 NPT | L Lower | A psi | See Standard Ranges |
| 450LFB | | 04 1/2 NPT | | B Back | |
| 450SS | | 09 9/16-18 UNF-2A-LH* | | C kg/cm ² | |
| 450LFSS | | | | D psi/kPa | |
| 450M | | | | E psi & kg/cm ² | |
| 450LFM | | | | | |

* For use with 9/16 high-pressure female fittings

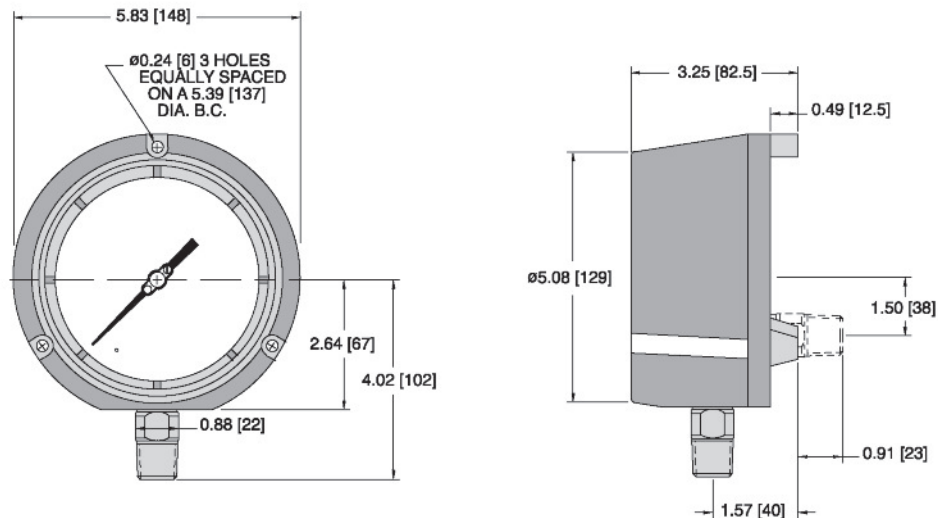


450 Series

All dimensions are nominal. Dimensions in [] are in millimeters.

Solid Front • Field Liquid Fillable • Turret Case

PROCESS GAUGES



Standard Ranges

| psi Ranges (A) | | | | kPa Ranges (B) | | | | kg/cm ² Ranges (C) | | | |
|--|----------------------|------------------|-----------------|----------------|------------------|------------------|-----------------|-------------------------------|-----------------------------------|------------------|-----------------|
| Range Code | Specific Range (psi) | Figure Intervals | Minor Divisions | Range Code | Specific Range | Figure Intervals | Minor Divisions | Range Code | Specific Range | Figure Intervals | Minor Divisions |
| 010 | 30" Hg to 0 | 5 | 0.2 | 010 | -100 to 0 kPa | 10 | 1 | 010 | 76 cm Hg to 0 | 10 | 0.5 |
| 020 | 30" Hg to 15 psi | 5/5 | 0.5/0.2 | 020 | -100 to 100 kPa | 20/20 | 2/2 | 020 | 76 cm Hg to 1 kg/cm ² | 20/0.2 | 1/0.2 |
| 030 | 30" Hg to 30 psi | 10/5 | 1/0.5 | 030 | -100 to 200 kPa | 50/50 | 2/2 | 030 | 76 cm Hg to 2 kg/cm ² | 20/0.5 | 2/0.2 |
| 040 | 30" Hg to 60 psi | 10/10 | 1/1 | 040 | -100 to 400 kPa | 50/50 | 5/5 | 040 | 76 cm Hg to 4 kg/cm ² | 25/0.5 | 5/0.5 |
| 050 | 30" Hg to 100 psi | 30/10 | 2/1 | 050 | -100 to 700 kPa | 100/100 | 10/10 | 050 | 76 cm Hg to 7 kg/cm ² | 76/1 | 5/0.1 |
| 060 | 30" Hg to 150 psi | 30/20 | 5/2 | 060 | -100 to 1000 kPa | 100/100 | 10/10 | 060 | 76 cm Hg to 10 kg/cm ² | 76/1 | 15/0.1 |
| 070 | 30" Hg to 300 psi | 30/50 | 5/2 | 070 | -100 to 2000 kPa | 200/100 | 20/20 | 070 | 76 cm Hg to 21 kg/cm ² | 76/3 | 19/0.2 |
| 080 | 0 to 15 psi | 3 | 0.1 | 080 | 0 to 100 kPa | 10 | 1 | 080 | 0 to 1 kg/cm ² | 0.1 | 0.01 |
| 090 | 0 to 30 psi | 5 | 0.2 | 090 | 0 to 200 kPa | 20 | 2 | 090 | 0 to 2 kg/cm ² | 0.2 | 0.02 |
| 100 | 0 to 60 psi | 10 | 0.5 | 100 | 0 to 400 kPa | 50 | 5 | 100 | 0 to 4.2 kg/cm ² | 0.5 | 0.05 |
| 110 | 0 to 100 psi | 10 | 1 | 110 | 0 to 700 kPa | 100 | 5 | 110 | 0 to 7 kg/cm ² | 1 | 0.05 |
| 120 | 0 to 160 psi | 20 | 1 | 120 | 0 to 1100 kPa | 200 | 10 | 120 | 0 to 11 kg/cm ² | 1 | 0.1 |
| 130 | 0 to 200 psi | 20 | 2 | 130 | 0 to 1400 kPa | 200 | 10 | 130 | 0 to 14 kg/cm ² | 2 | 0.1 |
| 140 | 0 to 300 psi | 50 | 2 | 140 | 0 to 2000 kPa | 200 | 20 | 140 | 0 to 21 kg/cm ² | 3 | 0.2 |
| 150 | 0 to 400 psi | 50 | 5 | 150 | 0 to 2800 kPa | 400 | 20 | 150 | 0 to 28 kg/cm ² | 4 | 0.2 |
| 160 | 0 to 600 psi | 50 | 5 | 160 | 0 to 4000 kPa | 500 | 50 | 160 | 0 to 42 kg/cm ² | 6 | 0.5 |
| 180 | 0 to 1000 psi | 100 | 10 | 180 | 0 to 7000 kPa | 1000 | 50 | 180 | 0 to 70 kg/cm ² | 10 | 0.5 |
| Ranges over 1000 psi are not available on 450B and 450LFB. | | | | | | | | | | | |
| 190 | 0 to 1500 psi | 300 | 10 | 190 | 0 to 10,000 kPa | 1000 | 100 | 190 | 0 to 100 kg/cm ² | 10 | 1 |
| 200 | 0 to 2000 psi | 200 | 20 | 200 | 0 to 14,000 kPa | 2000 | 100 | 200 | 0 to 140 kg/cm ² | 20 | 1 |
| 210 | 0 to 3000 psi | 500 | 20 | 210 | 0 to 20,000 kPa | 2000 | 200 | 210 | 0 to 210 kg/cm ² | 30 | 2 |
| 220 | 0 to 5000 psi | 500 | 50 | 220 | 0 to 35,000 kPa | 5000 | 250 | 220 | 0 to 350 kg/cm ² | 50 | 2 |
| 230 | 0 to 10,000 psi | 1000 | 100 | 230 | 0 to 70,000 kPa | 10,000 | 500 | 230 | 0 to 700 kg/cm ² | 100 | 10 |
| Ranges over 10,000 psi are only available on 450SS and 450LFSS, and have Ni-Span-C tubes. | | | | | | | | | | | |
| 240 | 0 to 15,000 psi | 3000 | 100 | 240 | 0 to 100,000 kPa | 10,000 | 1000 | 240 | 0 to 1000 kg/cm ² | 100 | 10 |
| 250 | 0 to 20,000 psi | 2000 | 200 | 250 | 0 to 140,000 kPa | 20,000 | 1000 | 250 | 0 to 1400 kg/cm ² | 200 | 10 |

For dual scale ranges, specify the appropriate Units of Measure: **D** (psi/kPa) or **E** (psi & kg/cm²) followed by the equivalent **A** (psi) Range Code. Other pressure ranges are also available including: Altitude, Ammonia, Refrigerant and Receiver. Consult Special Application Ranges section or factory for availability.