

SX9 Solar Therm

Light-Powered Digital Thermometer • Weatherproof NEMA-4X Case



INDUSTRIAL THERMOMETERS



SX91403 shown

▶ Light Powered
No Batteries Required

▶ Large LCD °F/°C
Switchable Display

▶ Cast Aluminum Case
NEMA-4X/IP 65

▶ Min/Max Feature

The Trerice **SX9 "Solar Therm"** now comes standard with a NEMA-4X case, making it the perfect choice for outdoor applications and in areas that require "spray-down." Our industry first "Casule-Tite" sealing technology insures that the electronics stay dry no matter what the application. The **SX-9** is the ideal replacement for existing mercury-in-glass thermometers in environmentally conscious applications. It features a rugged cast aluminum case, easy to read LCD display and an adjustable-angle stem that is fully interchangeable with industrial liquid-in-glass thermometers. Also available is a bimetal type stem for applications where a digital thermometer is preferred over existing analog bimetals. The "**Solar Therm**" requires no external power and needs only 10 lux of illumination to operate. The unique Min/Max feature provides instant recall of minimum and maximum temperatures over a given period and is easily reset.

- Optional features available: Please consult the Options & Accessories Section for details.

Thermowell

- For applications where the process media may be corrosive or contained under pressure, the use of a thermowell is required to prevent damage to the thermometer and facilitate its removal from the process. (Refer to page 158)

Specifications

Model	Scale Size
SX9	7" Adjustable Angle
Case	Cast Aluminum, Blue epoxy finish NEMA-4X / IP 65
Stem	Industrial, Bimetal or Air-Duct
Connection	Industrial: 1 1/4"-18 UNEF-2A coupling nut Bimetal: 304 Stainless steel 1/4" diameter Air-Duct: Reversible mounting flange with 3 bolt holes
Sensor	Glass passivated thermistor
Range	-40 to 300° F (-40° to 150° C)
Display	9/16" LCD digits switchable between F/C. Push button min/max readings with reset
Accuracy	1% or 1° F, whichever is greater
Resolution	1/10°
Update Interval	10 seconds
Lux Rating	10 Lux (one foot candle)
Ambient Operating Temperature	-40° to 140° F (-40° to 60° C)
Ambient Temperature Error	None
Humidity	Maximum: 95 RH, non condensing
Approximate Shipping Weight	1.5 lbs [0.68 kg]

Note: Suitable for outdoor use.

HOW TO ORDER

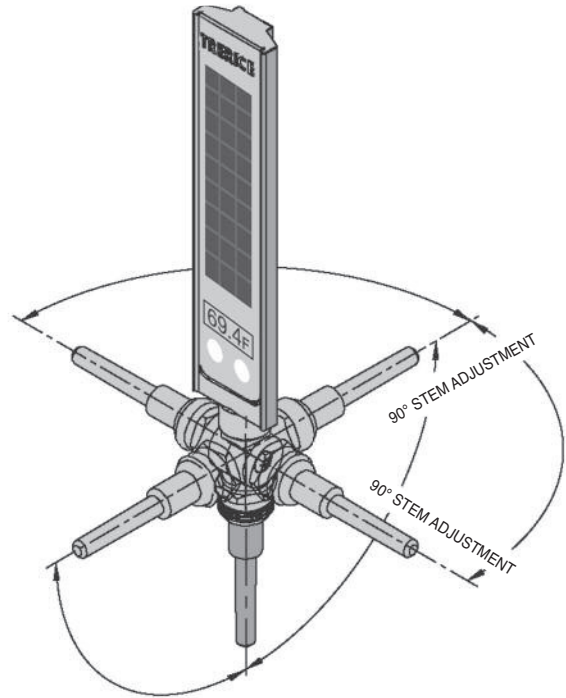
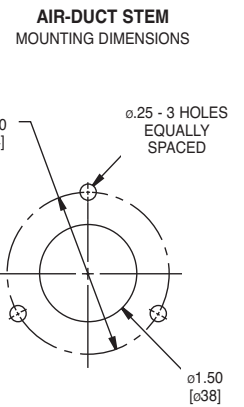
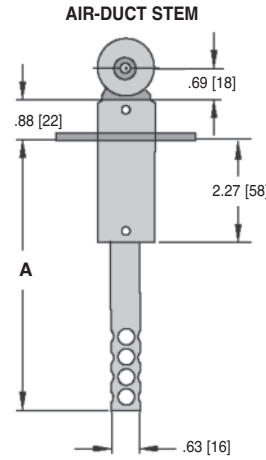
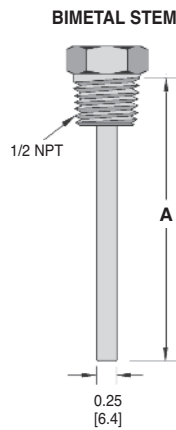
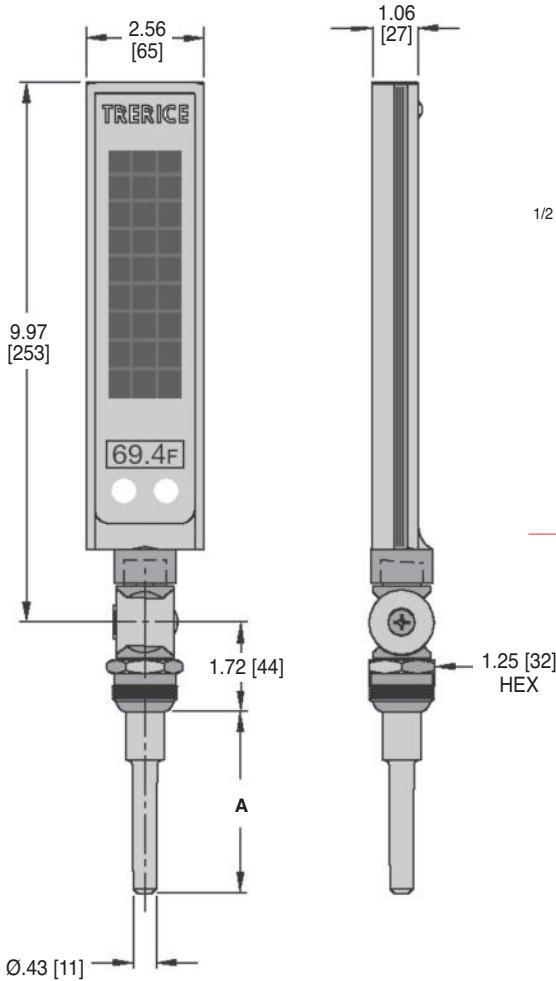
Sample Order Number: **SX9 1 403 05**

Model	Stem (Style & Material)	Stem (Length)	Specific Range
SX9 7" Adjustable	1 Industrial (Aluminum)	403 3 1/2" (standard)	05 -40° to 300° F/C
		406 6" (standard)	
		602 2 1/2" Bimetal	
	5 Bimetal (304 SS)	604 4" Bimetal	
		606 6" Bimetal	
		9 Air-Duct (Aluminum)*	
	012 12" Air-Duct		

* Not for use with Thermowell

SX9 Solar Therm

All dimensions are nominal.
Dimensions in [] are in millimeters.



(A) Stem Length	Dimension
3 1/2" Industrial	3.50 [88.9]
6" Industrial	6.00 [152.4]
2 1/2" Bimetal	2.50 [63.0]
4" Bimetal	4.00 [101.6]
6" Bimetal	6.00 [152.4]
6" Air-Duct	6.00 [152.4]
12" Air-Duct	12.00 [304.8]

Thermowells for SX9 Solar-Therm

for INDUSTRIAL STYLE Stems				for BIMETAL STYLE Stems			
Model	Stem Length	Insertion Length	Material	Model	Stem Length	Insertion Length	Model
3-4F2	3 1/2"	2 1/2"	Brass	76-4G2	4"	2 1/2"	Brass
3-4FA2	3 1/2"	1.7" with 1" lagging extension	Brass	76-4GA2	4"	2" with 1" lagging extension	Brass
3-4J2	6"	5"	Brass	76-4J2	6"	4 1/2"	Brass
3-4JD2	6"	2 1/2" with 2 1/2" lagging extension	Brass	76-4JC2	6"	2 1/2" with 2" lagging extension	Brass

INDUSTRIAL THERMOMETERS