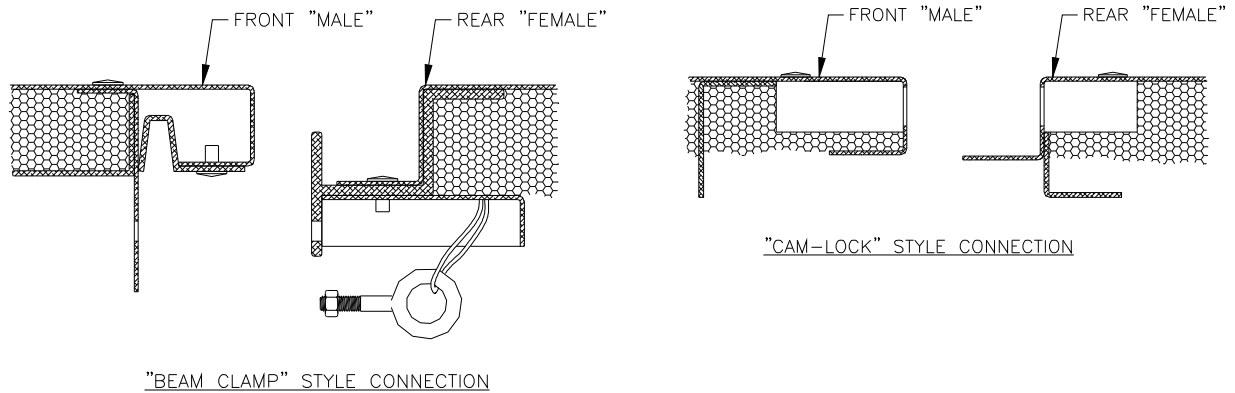


\*Note the receptacles and the concrete slab should be prepared and fully cured before the enclosure is unpackaged.

1. Remove the access panels from the sections and place aside. This will lighten the sections for an easier installation.
2. Place the sections as close to their final positions as possible. The order of installation is always "Rear" left to right and then "Front" left to right regardless of the number of sections your enclosure has. (4 section shown)
3. Each section has a male and a female edge. Lift each section (10"-12") and position over the mating edge and carefully lower the section into position keeping it flush against the opposing section's edge until it seats properly.
4. Place the enclosure in its final position. **Do not tear the gasket on the enclosure's base or around the male/female edges while sliding the sections together or positioning the enclosure.**
5. The enclosure must be squared and leveled to assure proper fit of the sections. The anchor pads within the enclosure double as levelers. If needed loosen the bolts attaching the anchor pads to the enclosure. Each pad is slotted for vertical movement. When level tighten the pad bolts to the enclosure wall.
6. Install the access panels. If the fit is not right or if light may be seen through any seam, the square of the enclosure is incorrect and must be reassessed. Remove the access panels.
7. Locate the interior anchors. Mark and drill 3/8" diameter holes x 2" deep with the supplied bit and drive the wedge anchors into the holes and tighten with the washer and nut.

Hot Box  
3621 Industrial Park Drive  
Lenoir City, TN 37771

Contact Information  
Phone: (800) 346-3062  
hotboxsales@hubbell.com  
www.hot-box.com



8. Determine if your enclosure has Beam clamp or Cam-locks. (see diagram above)
9. For Beam clamp style enclosures: tighten the Beam clamp eyebolts and wing nuts. (located at the top seam inside the enclosure).
10. For Cam-lock style enclosures: fully engage the Cam-locks. (located on the exterior walls along the seams) using the supplied allen wrench tool. Place the plastic plugs in the keyholes for protection.
11. Enclosures larger than 72" wide (inside) will be supplied with 2 x 1 support channels. They are attached with the supplied hardware to the underside of the horizontal roof bracing. Use a ratchet and a 1/2" deep socket to attach.
12. In some cases the size of the enclosure (typically 4 sections and larger) may cause a slight leaking during inclement weather. To prevent this Aluminum tape has been provided. (for 4 sections and larger) We recommend that the contractor lay a bead of silicon caulking in all seams and tape over the entire seam on the top of the enclosure. This is for situations where the enclosure is to be a "permanent" structure.
13. For enclosures with four or more sections square cap plates have been supplied to cover the areas where four corners of the sections come together on the top of the enclosure. Place the caps over the intersection and screw into place. Apply the supplied aluminum tape to the top seams for additional water proofing.
14. Hang the heater (if required) on the factory mounted heater plate and plug into a G.F.I. protected receptacle.
15. Place the access panels in their respective openings and insert padlocks (not included) through the handles.

**Warning! A ground fault circuit interrupting device shall be installed in the electrical supply circuit to the heater(s). Failure to do so may result in injury or death. The interior of this enclosure is a damp location.** Contractors other than Hot Box are responsible for the installation of the G.F.I. protected service and receptacles. When multiple heaters are required it is recommended that each 1000w, 1500w or 2000w convection heater be on separate 20 amp circuits so in the event a circuit fails, all other circuits will remain powered. All installations to be in accordance with the local and national codes.

Hot Box  
3621 Industrial Park Drive  
Lenoir City, TN 37771

Contact Information  
Phone: (800) 346-3062  
hotboxsales@hubbell.com  
www.hot-box.com