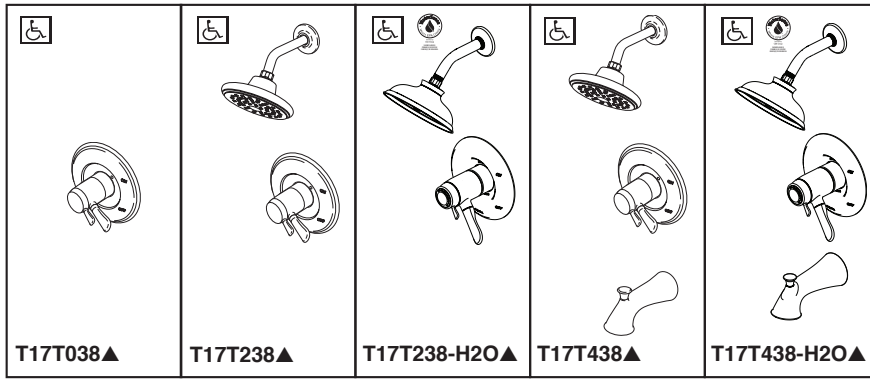




see what Delta can do™

# TUB AND SHOWER JETTED SHOWER™ TRIM



Submitted Model No.: \_\_\_\_\_  
 Specific Features: \_\_\_\_\_

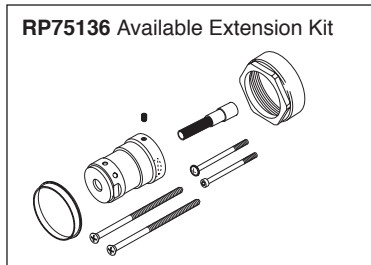
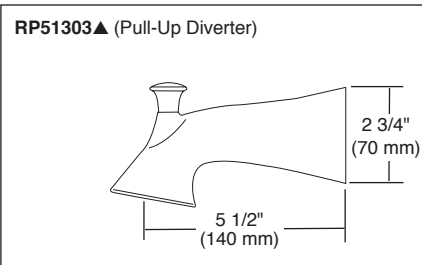
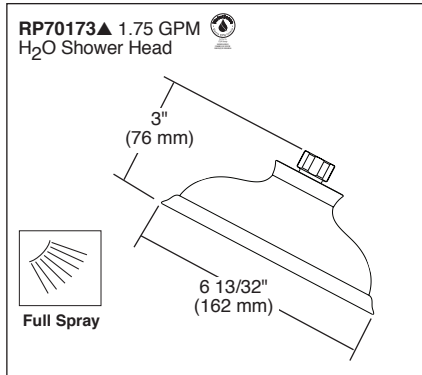
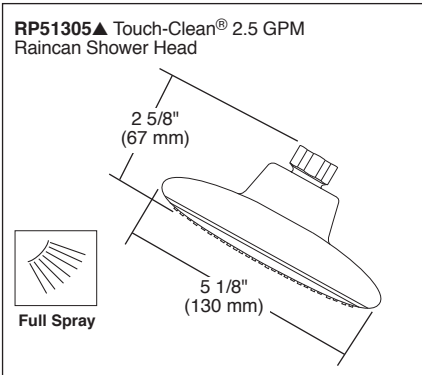
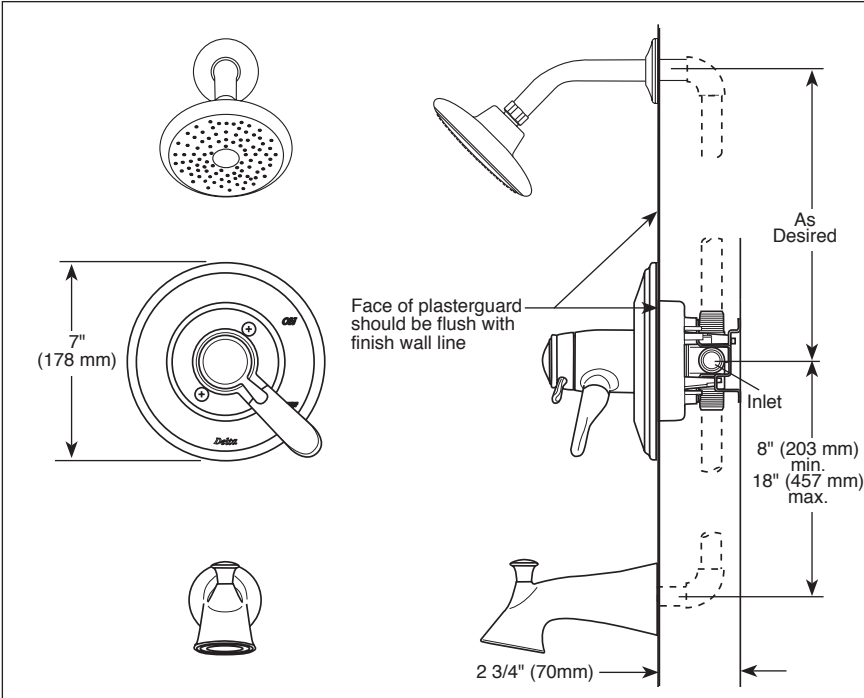
- Lahara® Bath Collection
- TempAssure® Thermostatic
- Valve Only (T17T038)
- Shower Only (T17T238)
- Tub/Shower (T17T438)

## FEATURES:

- TempAssure® 17T thermostatic valve cartridge
- "H2O" models include H<sub>2</sub>Okinetic® Technology shower head

## STANDARD SPECIFICATIONS:

- Thermostatic wax element maintains the outlet temperature to ±3.6°F
- Must also order MultiChoice® Universal rough separately
- Back-to-back installation capability
- Lever volume control handle; temperature adjustment dial
- Graphics indicate hot/cold temperature adjustment
- Field adjustable to limit rotation into hot water zone
- All parts are replaceable from the front of the valve
- Adjusts for up to 1" wall thickness
- Raincan shower head 2.5 gpm max @ 80 psi, 6.6 L/min @ 550 kPa
- H2O shower head 1.75 gpm max @ 80 psi, 6.6 L/min @ 550 kPa
- Tub port maximum flow rate 8.6 gpm @ 60 psi with R10000-UNBX
- Shower arm overall horizontal length = 5 1/2" (138 mm), including threaded ends



## WARRANTY

- Parts and Finish - Lifetime limited warranty; or for commercial purchasers, 10 years for multi-family residential (apartments and condominiums) and 5 years for all other commercial uses, in each case from the date of purchase.
- Electronic Parts and Batteries (if applicable) - 5 years from the date of purchase; or for commercial purchasers, 1 year from the date of purchase. No warranty is provided on batteries.

## COMPLIES WITH:

- ASME A112.18.1 / CSA B125.1
- ASSE 1016
- ☒ Indicates compliance to ICC/ANSI A117.1 - Valve control only
- EPA WaterSense®

▲ Designate Proper Finish Suffix