

Instructions for Replacing Power Humidifier Relay

WARNING! 120 volts may cause serious injury from electrical shock.
Unplug Humidifier power cord before servicing.

Tools required: Phillips screwdriver
Needle-nose pliers

Refer to Figures 1 and 2 for component names and locations

1. Unplug humidifier power cord.
2. Remove cover and place it on a flat work surface, fan blade facing up.
3. Push receptacle out from orifice plate by pressing side tabs in.
4. Use Phillips screwdriver to remove four screws that hold orifice plate and bridge assembly into cover. Set screws aside for use later.
5. Lift orifice plate out from bridge assembly and then lift the bridge assembly out from the cover. (Note: The bridge assembly is the bridge and all the components attached to it such as the fan motor and blade, relay, etc.) Place the bridge assembly on a flat surface, fan blade facing down.
6. Use needle-nose pliers to disconnect the power cord terminals, fan terminals, and humidistat/solenoid valve terminals from the old relay (see Figure 2). **CAUTION:** Do not pull on wires directly. Instead, use the pliers to grip terminals when removing from relay.
7. Use Phillips screwdriver to remove two screws that fasten the relay to the bridge assembly.
8. Discard the old relay.
9. Place the replacement relay onto bridge assembly and re-attach using two screws from Step 7. Orient the relay as shown in Figure 2.
10. Connect the black and white power cord terminals and blue fan terminals to the replacement relay. (Note: Terminal locations shown in Figure 2.)
11. Connect humidistat/solenoid valve wiring terminals to replacement relays. (Note: Terminal locations shown in Figure 2.)
12. With fan blade facing up, place bridge assembly back into cover. Make certain power cord is lined up with slot in cover. (Refer to Figure 1.) Make certain the yellow and brown wires are inside the notch and not pinched between bridge assembly and cover.
13. Re-attach orifice plate to bridge assembly in the orientation shown in Figure 1. Use the four screws removed in Step 4.
14. Attach receptacle to bridge assembly. Match shape of receptacle to opening in bridge assembly for correct orientation. Snap receptacle into place.
15. Return cover to humidifier base.
16. Plug power cord back into outlet. Check operation.

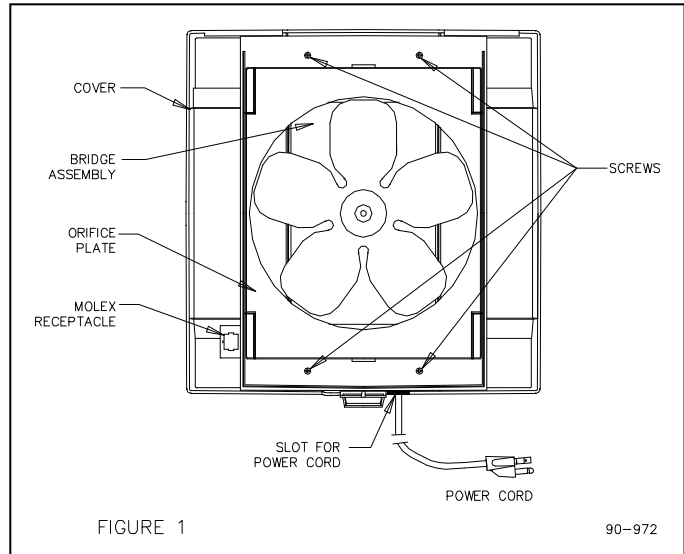


FIGURE 1

90-972

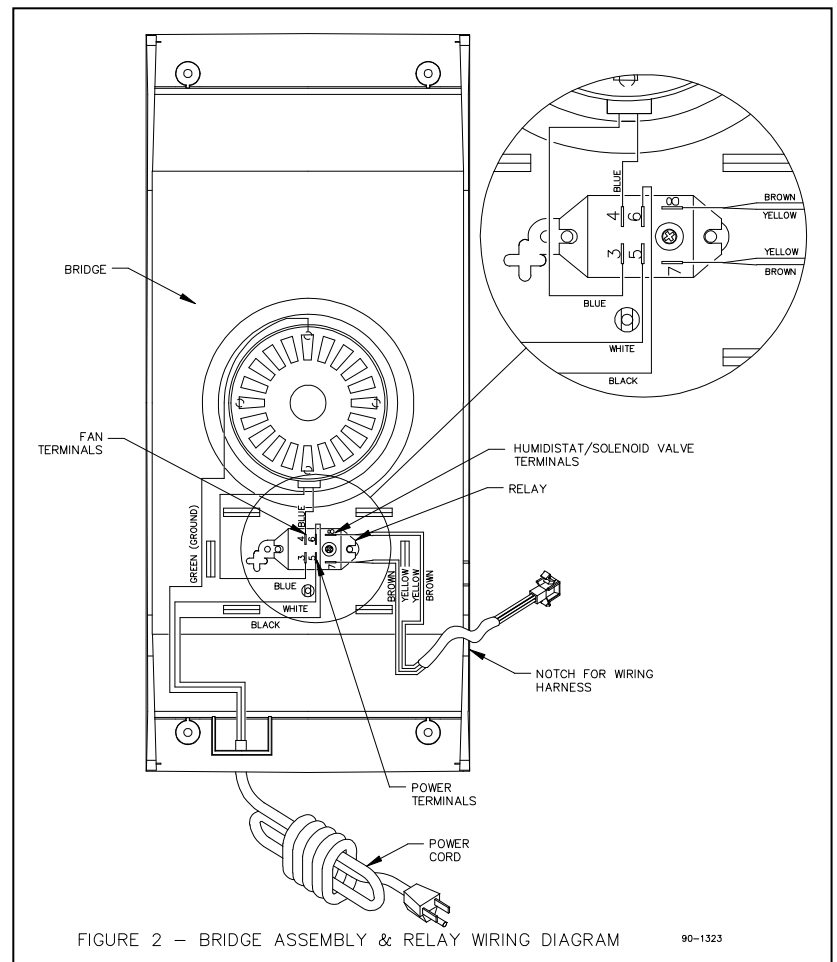


FIGURE 2 - BRIDGE ASSEMBLY & RELAY WIRING DIAGRAM

90-1323