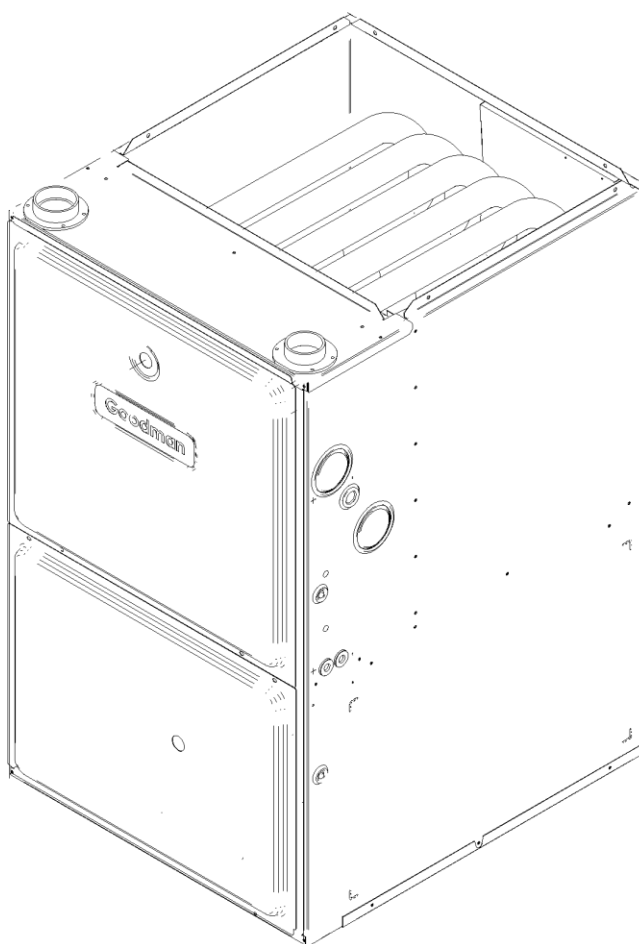




# REPAIR PARTS

## GMS9 90% Gas Furnace

- GMS90403B2AA
- GMS90603B2AA
- GMS90804C2AA
- GMS91005D2AA



Goodman Manufacturing Company, L.P.  
5151 San Felipe, Suite 500  
Houston, TX 77056

[www.goodmanmfg.com](http://www.goodmanmfg.com)

RP-464  
August 2007

## Important Information

---

### Index

Functional Parts List .....	3
Illustration and Parts .....	4 - 11

*Views shown are for parts illustrations only, not servicing procedures*

#### Text Codes:

AR - As Required

NA - Not Available

NS - Not Shown

00000000 - See Note

QTY - Quantity Example (QTY 3) (If Quantity not shown, Quantity = 1)

M - Model Example (M1) (If M Code not shown, then part is used on all Models)

#### Expanded Model Nomenclature:

Example
M1 - Model#1
M2 - Model#2
M3 - Model#3

Goodman Manufacturing Company, L.P. is not responsible for personal injury or property damage resulting from improper service. Review all service information before beginning repairs.

Warranty service must be performed by an authorized technician, using authorized factory parts. If service is required after the warranty expires, Goodman Manufacturing Company, L.P. also recommends contacting an authorized technician and using authorized factory parts.

Goodman Manufacturing Company, L.P. reserves the right to discontinue, or change at any time, specifications or designs without notice or without incurring obligations.

For assistance within the U.S.A. contact:  
 Consumer Affairs Department  
 Goodman Manufacturing Company, L.P.  
 7401 Security Way  
 Houston, Texas 77040  
 877-254-4729-Telephone  
 713-863-2382-Facsimile

For assistance outside the U.S.A. contact:  
 International Division  
 Goodman Manufacturing Company, L.P.  
 7401 Security Way  
 Houston, Texas 77040  
 713-861-2500-Telephone  
 713-863-2382-Facsimile

## Functional Parts

**Part**

**No: Description:**

---

0259F00036	12-PIN WIRING HARNESS M-CONNECTOR
10735102S	BECKETT BURNER (QTY 2)
0131F00005S	BLOWER MOTOR 1 HP, 50HZ (M4)
0131F00004S	BLOWER MOTOR 3/4 HP, 50HZ (M1, M2, M3)
CAP150000370VAS CAPACITOR 15/370V	
0259F00037	CONTROL WIRING HARNESS 50HZ
B1809922S	DSI AUX BOARD 50HZ, CE
B1809921S	DSI IGNITION BOARD 50HZ, CE
0130F00010	FLAME SENSOR
B1282622	GAS VALVE 50 HZ (CE)
0257F00143S	HEAT EXCHANGER ASSY 2B (M1)
0257F00172S	HEAT EXCHANGER ASSY 3B (M2)
0257F00173S	HEAT EXCHANGER ASSY 4B (M3)
0257F00174S	HEAT EXCHANGER ASSY 5B (M4)
0131F00019	ID BLOWER 50 HZ
0130F00014	IGNITOR
B1370818	INTERLOCK SWITCH
20196404	MANIFOLD (M4)
20196402	MANIFOLD (M2)
20196401	MANIFOLD (M1)
20196403	MANIFOLD (M3)
10123517	MANUAL RESET LIMIT (M2)
10123535	MANUAL RESET LIMIT 150° (M1, M2, M3)
10123518	MANUAL RESET LIMIT 170° (M1)
10123537	MANUAL RESET LIMIT 190° (M3)
10123533	MANUAL RESET LIMIT 200° (M4)
10123533	MANUAL RESET LIMIT 200° (M4)
20197310	PRESSURE SWITCH
0130F00001P	PRESSURE SWITCH (M3)
0130F00002P	PRESSURE SWITCH (M2)
0130F00000P	PRESSURE SWITCH (M1, M4)
20162903	PRIMARY LIMIT (M2, M4)
20162905	PRIMARY LIMIT (M1, M3)
B1368267	TERMINAL BLOCK 50HZ, CE
B1141664	TRANSFORMER 230V, 50HZ
0259F00039	WIRING HARNESS

**SPECIAL PARTS**

0161F00000P	GOODMAN NAMEPLATE
IO-335	INSTALLATION INSTRUCTIONS
RP-464	REPAIR PARTS MANUAL
10195517Q	STANDPIPE BAG ASSY
HI-121	USERS MANUAL

Expanded Model Nomenclature

M1 - GMS90403B2AA
M2 - GMS90603B2AA
M3 - GMS90804C2AA
M4 - GMS91005D2AA

# Cabinet

Image 1

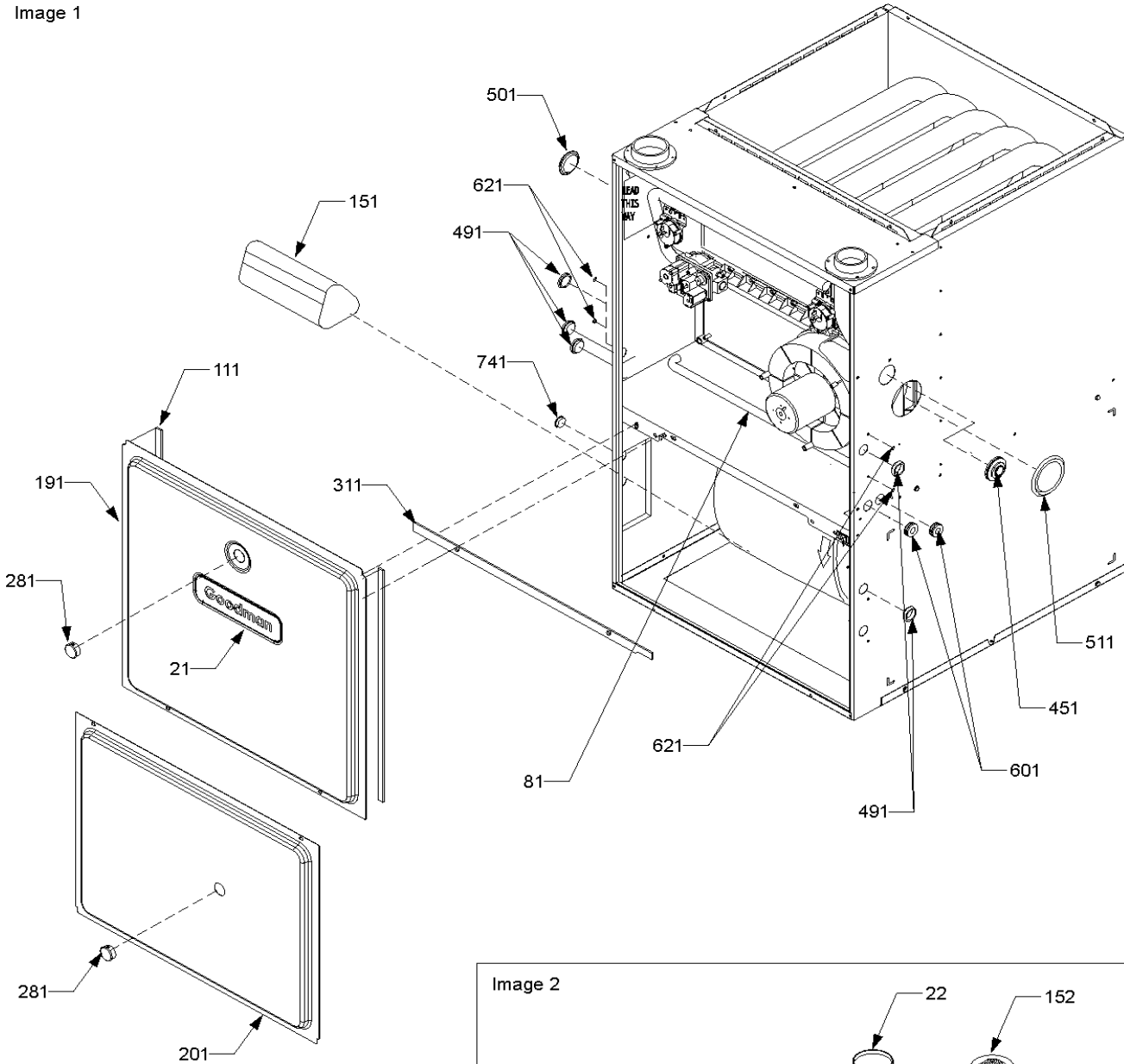
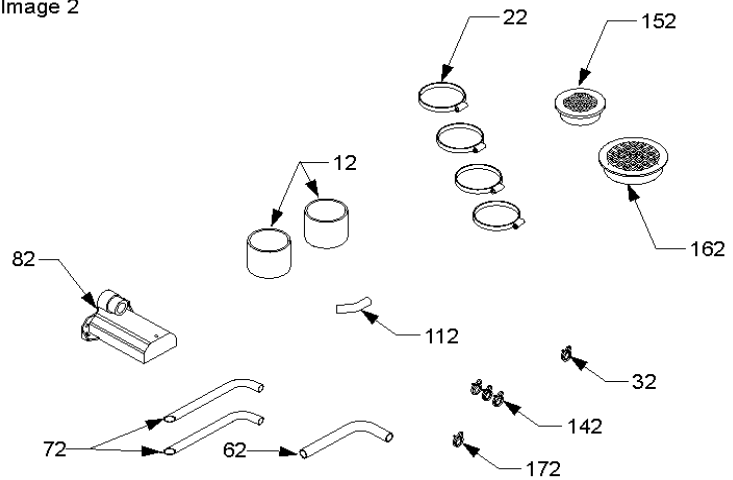


Image 2



## Cabinet

---

Ref Part	Ref. Part
No:	No: No:
Description:	Description:

*Image 1:*

21	0161F00000P	GOODMAN NAMEPLATE
81	20201902	DRAIN HOSE
111	20179308	GASKET (QTY 2)
151	10195517Q	STANDPIPE BAG ASSY
191	0121F00072DG	ACCESS DOOR (M1, M2)
191	0121F00073DG	ACCESS DOOR (M3)
191	0121F00074DG	ACCESS DOOR (M4)
201	0121F00069DG	BLOWER DOOR (M1, M2)
201	0121F00070DG	BLOWER DOOR (M3)
201	0121F00071DG	BLOWER DOOR (M4)
281	B1392139	VIEW PORT BUSHING (QTY 2)
311	22320001	DECK GASKET (M1, M2)
311	22320002	DECK GASKET (M3)
311	22320003	DECK GASKET (M4)
451	M0501301	PIPE GROMMET
491	M0570808	BUTTON PLUG (QTY 5)
501	M0570806	BUTTON PLUG
511	M0570807	BUTTON PLUG
601	A4691701	GROMMET (QTY 2)
621	M0310345	BUTTON PLUG (QTY 4)
741	B1392104	UNIVERSAL BUSHING UB 875 (QTY AR)

*Image 2:*

12	10254303	RUBBER COUPLING
22	A3326002	HOSE CLAMP (QTY 2)
32	M0119207	HOSE CLAMP
62	20201901	DRAIN HOSE
72	20201802	DRAIN TUBE (QTY 2)
82	20171701	DRAIN TRAP
112	20214203	DRAIN ANGLE
142	M0119205	HOSE CLAMP (QTY 3)
152	B2810816	2" MESH INSERT
162	B2810814	3" MESH INSERT
172	M0119206	HOSE CLAMP

Expanded Model Nomenclature

M1 - GMS90403B2AA
M2 - GMS90603B2AA
M3 - GMS90804C2AA
M4 - GMS91005D2AA

# Blower Assembly

Image 1

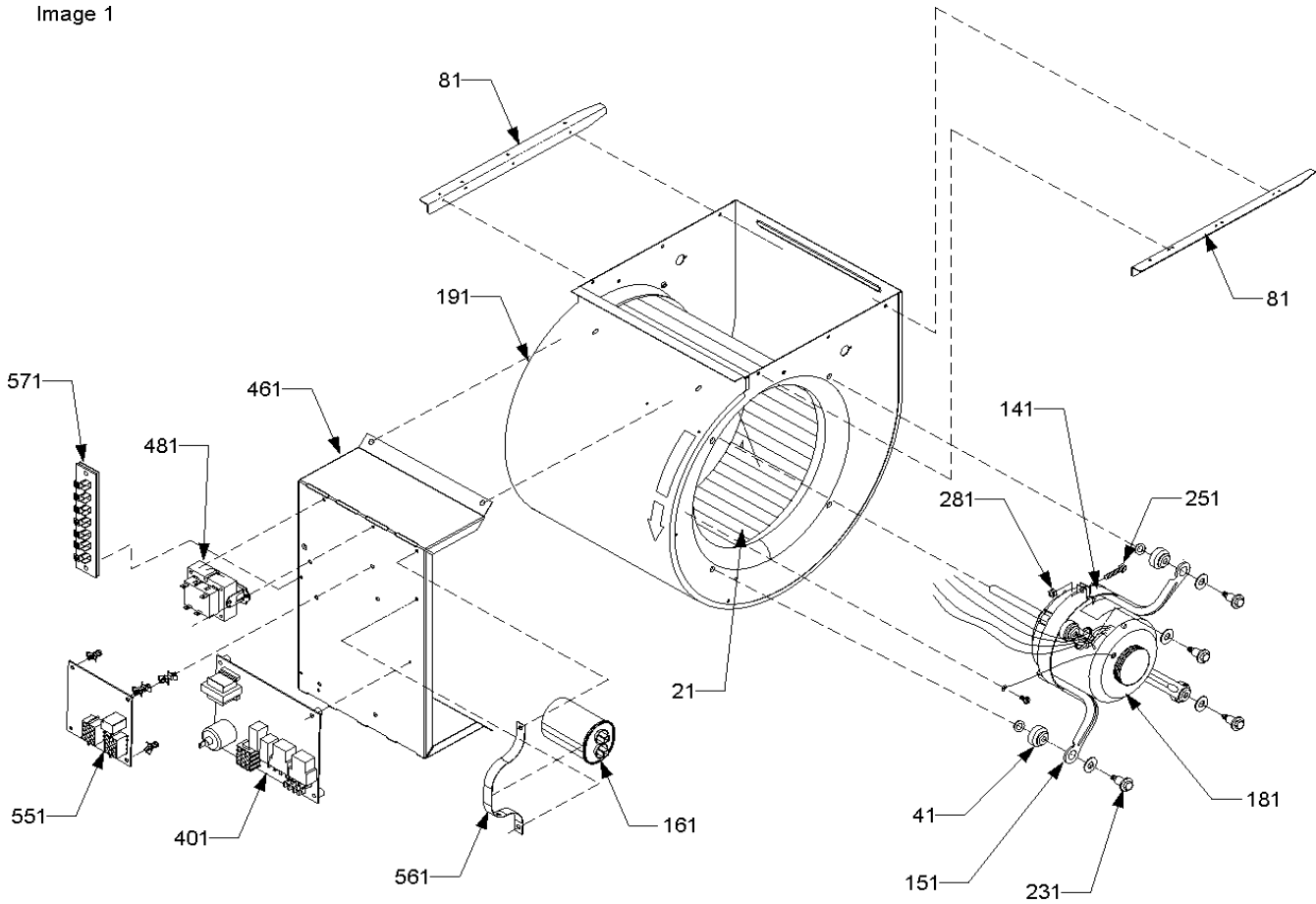
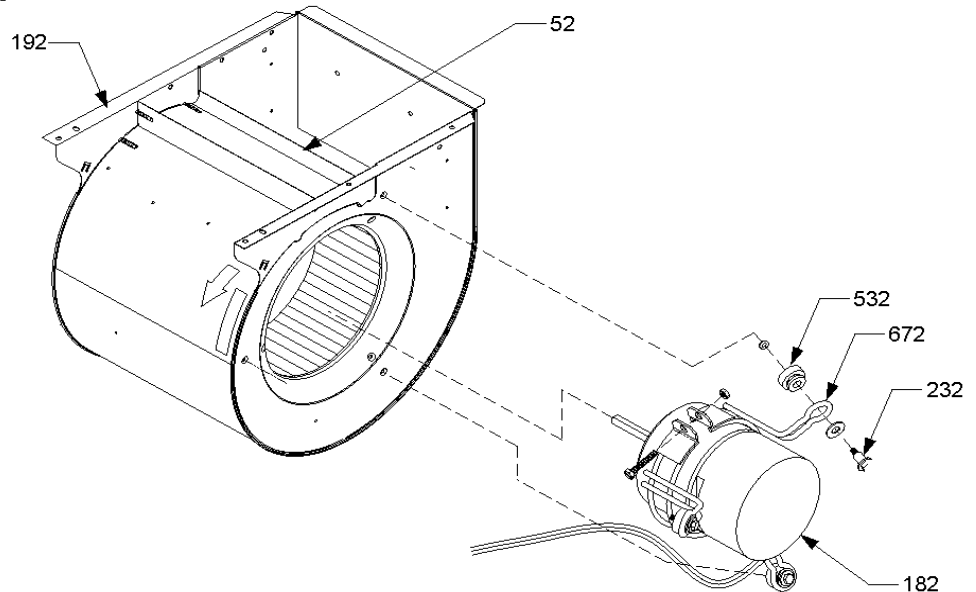


Image 2



## Blower Assembly

---

Ref Part			Ref. Part	
No:	Description:		No: No:	Description:

*Image 1:*

21	D6723311S	BLOWER WHEEL (M4)
21	B1368047A	BLOWER WHEEL 10 X 10 (M3)
21	B1368058S	BLOWER WHEEL 10 X 8 (M1, M2)
41	A4002701	GROMMET (M4)
81	20175101	BLOWER SIDE RAIL (M4)
141	10441601	MOTOR MOUNT BAND (M4)
151	10441501	MOTOR MOUNT ARM (M4)
161	CAP150000370VAS	CAPACITOR 15/370V
181	0131F00005S	BLOWER MOTOR 1 HP, 50HZ (M4)
191	0271F00048	BLOWER HOUSING ASSY 11 X 10 (M4)
231	M0221461	TC SCREW (M4)
251	M0267144	MACHINE SCREW
281	M0282015	KEPS NUT
401	B1809921S	DSI IGNITION BOARD 50HZ, CE
461	0121F00094	CONTROL MOUNTING PANEL
481	B1141664	TRANSFORMER 230V, 50HZ
551	B1809922S	DSI AUX BOARD 50HZ, CE
561	1284835	CAPACITOR STRAP
571	B1368267	TERMINAL BLOCK 50HZ, CE
NS	C6121807	BLOWER CUT-OFF (M4)

*Image 2:*

52	764741F	BLOWER BLOCK-OFF 10 X 10 (M3)
52	764740F	BLOWER BLOCK-OFF 10 X 8 (M1, M2)
182	0131F00004S	BLOWER MOTOR 3/4 HP, 50HZ (M1, M2, M3)
192	0271F00000P	BLOWER HOUSING ASSY 10 X 8 (M1, M2)
192	0271F00003P	BLOWER HOUSING ASSY 10 X 10 (M3)
232	M0221461	TC SCREW (M1, M2)
232	M0250558	TC SCREW (M3)
532	A4002702	GROMMET (M1, M2, M3)
672	C9443702	MOTOR MOUNT BRACKET (M1, M2, M3)

Expanded Model Nomenclature

M1 - GMS90403B2AA
M2 - GMS90603B2AA
M3 - GMS90804C2AA
M4 - GMS91005D2AA

# Chassis

Image 1

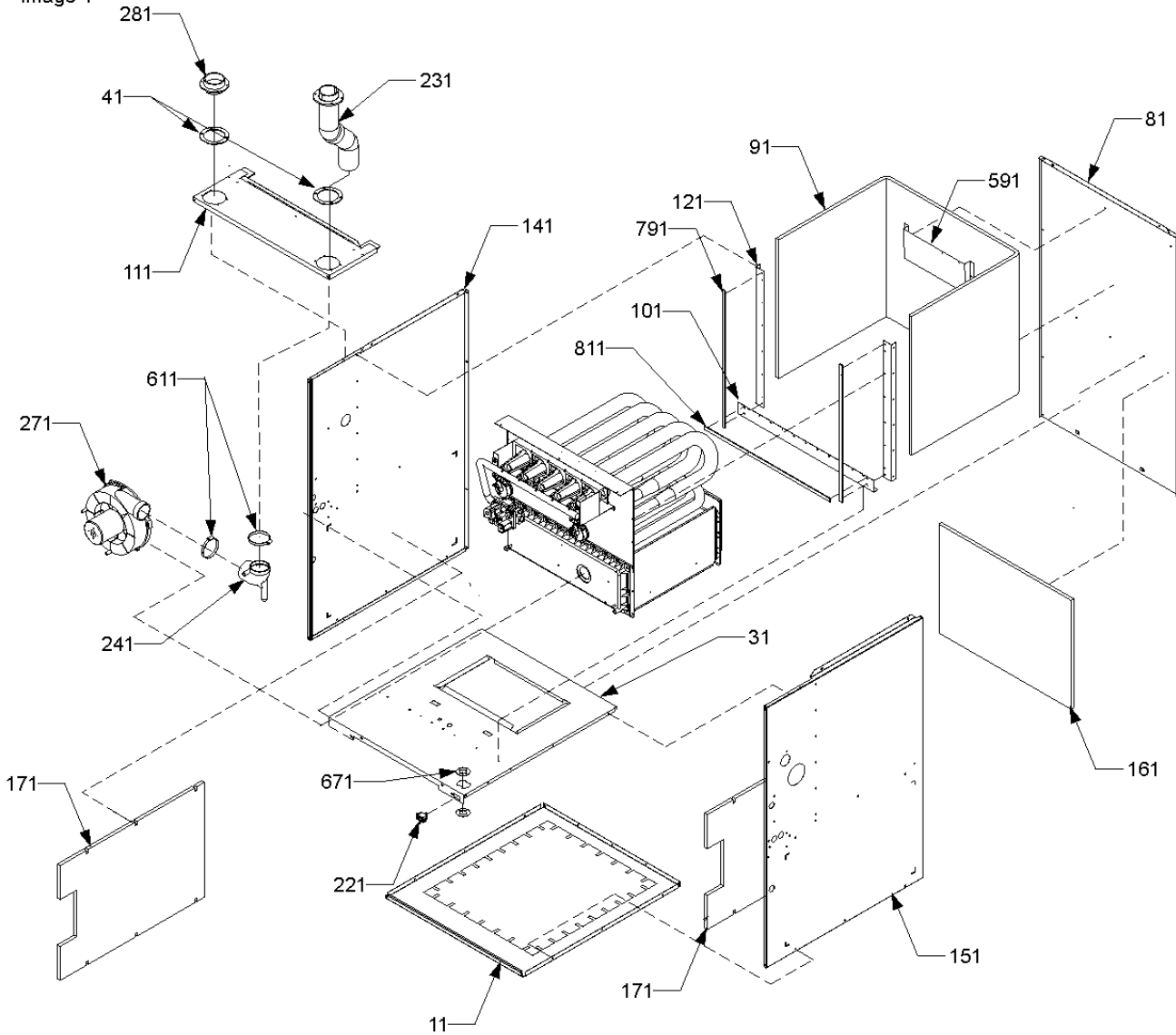
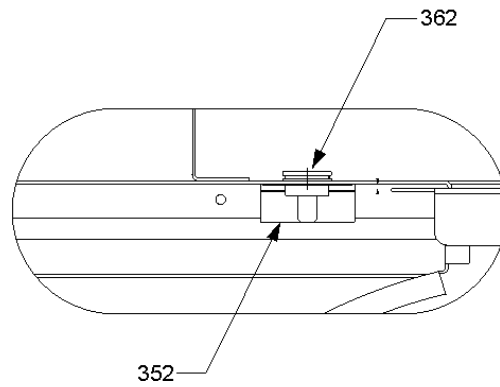


Image 2





## Chassis

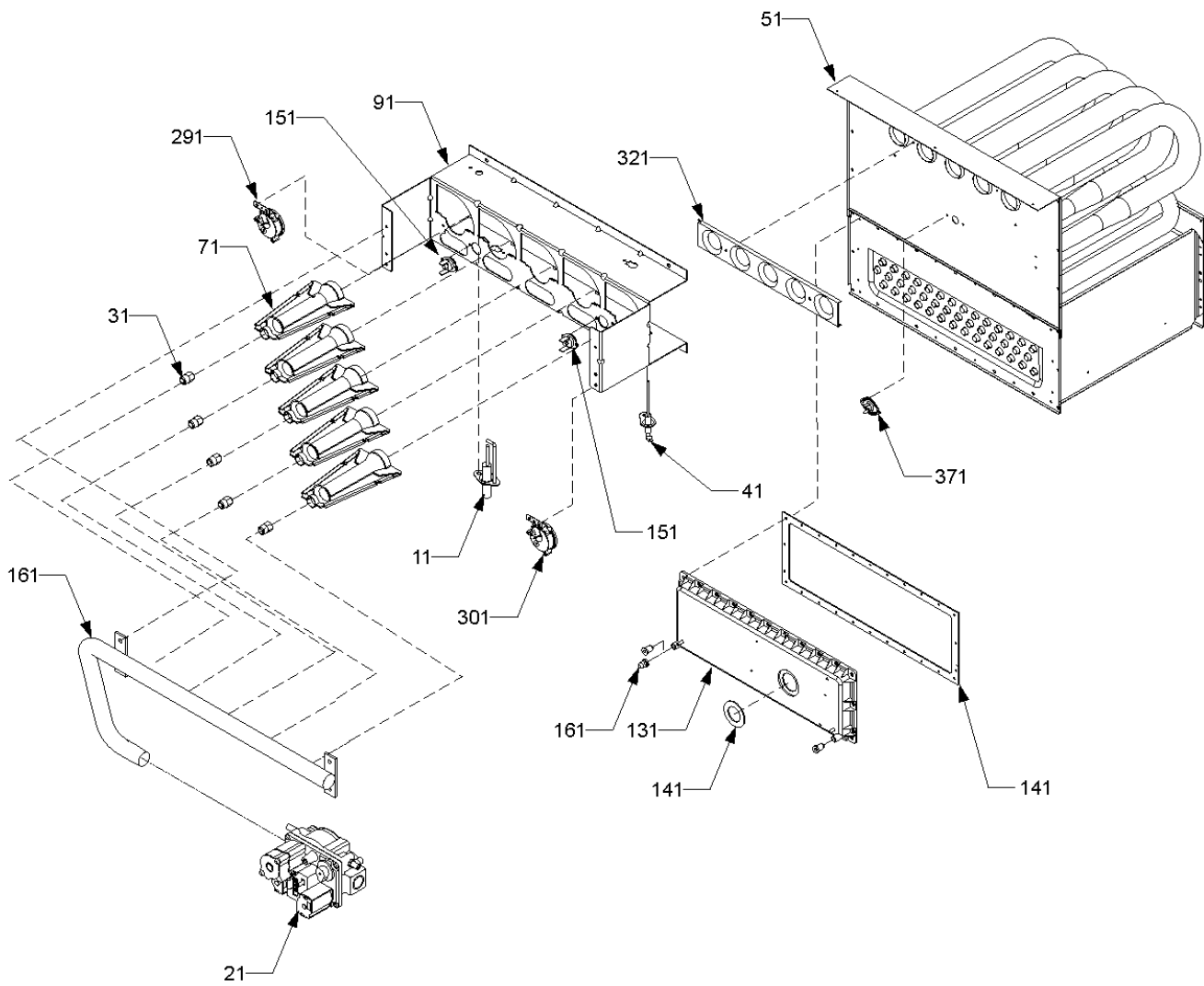
Ref Part No:	Description:
<i>Image 1:</i>	
11 0121F00050DG	BASEPAN (M1, M2)
11 0121F00051DG	BASEPAN (M3)
11 0121F00052DG	BASEPAN (M4)
31 0121F00043	BLOWER DECK 17.5" (M1, M2)
31 0121F00045	BLOWER DECK 20" (M3)
31 0121F00048	BLOWER DECK 24.5" (M4)
41 0154F00000P	COIL GASKET (M1, M2)
41 0154F00001P	COIL GASKET (M3)
41 0154F00002P	COIL GASKET (M4)
81 20273208	BACK PANEL (M1, M2)
81 20273210	BACK PANEL (M3)
81 20273212	BACK PANEL (M4)
91 C6415909	HEAT EXCHANGER INSULATION (M4)
91 C6415910	HEAT EXCHANGER INSULATION (M1, M2)
91 C6415911	HEAT EXCHANGER INSULATION (M3)
101 0121F00018P	DECK RAIL (M1, M2)
101 0121F00019P	DECK RAIL (M3)
101 20191303	DECK RAIL (M4)
111 0270F00001PS	TOP COVER ASSY (M3)
111 0270F00002PS	TOP COVER ASSY (M4)
111 0270F00100PS	TOP COVER ASSY (M1, M2)
121 20191602	SIDE RAIL (M1, M2)
121 20191603	SIDE RAIL (M3)
121 20191604	SIDE RAIL (M4)
141 0121F00092DG	LEFT SIDE PANEL
151 0121F00090DG	RIGHT SIDE PANEL
161 20006601	INSULATION (M1, M2)
161 20006602	INSULATION (M3)
161 20006603	INSULATION (M4)
171 20243503	SIDE INSULATION (QTY 2)
221 B1370818	INTERLOCK SWITCH
231 22309501	FLUE PIPE
241 20171802	ELBOW
271 0131F00019	ID BLOWER 50 HZ
281 20049701	FA COUPLING
591 11165107	ID BLOWER SHIELD
611 A3326002	HOSE CLAMP (QTY 2)
671 0121F00095	STRAIN RELIEF ADAPTOR (QTY 2)
791 20194608	GASKET (QTY 2)
811 20194605	GASKET (M1, M2)
811 20194606	GASKET (M3)
811 20194607	GASKET (M4)
NS 0164M00009	PRESSURE SWITCH HOSE
NS 0164M00012	PRESSURE SWITCH HOSE (M1, M2)

Ref. Part No:	Description:
NS 0164M00014	PRESSURE SWITCH HOSE (M4)
<i>Image 2:</i>	
352 10861101	AUXILIARY LIMIT BRACKET
362 10123535	MANUAL RESET LIMIT 150° (M1, M2, M3)
362 10123533	MANUAL RESET LIMIT 200° (M4)

Expanded Model Nomenclature

M1 - GMS9040
M2 - GMS9060
M3 - GMS9080
M4 - GMS9100

# Heat Exchanger Assy/Manifold/Gas Valve



## Heat Exchanger Assy/Manifold/Gas Valve

---

Ref Part	No:	Description:
<i>Image 1:</i>		
11	0130F00014	IGNITOR
21	B1282622	GAS VALVE 50 HZ (CE)
31	10716005	ORIFICE (QTY AR)
41	0130F00010	FLAME SENSOR
51	0257F00143S	HEAT EXCHANGER ASSY 2B (M1)
51	0257F00172S	HEAT EXCHANGER ASSY 3B (M2)
51	0257F00173S	HEAT EXCHANGER ASSY 4B (M3)
51	0257F00174S	HEAT EXCHANGER ASSY 5B (M4)
71	10735102S	BECKETT BURNER (QTY 2)
91	20190410	BURNER BRACKET 2B (M1)
91	20190411	BURNER BRACKET 3B (M2)
91	20190412	BURNER BRACKET 4B (M3)
91	20190413	BURNER BRACKET 5B (M4)
131	20170805A	FRONT COVER (M2)
131	20170806AS	FRONT COVER (M1)
131	20170904A	FRONT COVER (M3)
131	20171002AS	FRONT COVER (M4)
141	0154F00000P	COIL GASKET (M1, M2)
141	0154F00001P	COIL GASKET (M3)
141	0154F00002P	COIL GASKET (M4)
151	10123517	MANUAL RESET LIMIT (M2)
151	10123518	MANUAL RESET LIMIT 170° (M1)
151	10123537	MANUAL RESET LIMIT 190° (M3)
151	10123533	MANUAL RESET LIMIT 200° (M4)
161	20196401	MANIFOLD (M1)
161	20196402	MANIFOLD (M2)
161	20196403	MANIFOLD (M3)
161	20196404	MANIFOLD (M4)
161	M0326804	TUBE PLUG (QTY 3)
291	0130F00000P	PRESSURE SWITCH (M1, M4)
291	0130F00001P	PRESSURE SWITCH (M3)
291	0130F00002P	PRESSURE SWITCH (M2)
301	20197310	PRESSURE SWITCH
321	11072201	ORIFICE SHIELD (M1)
321	11072202	ORIFICE SHIELD (M2)
321	11072203	ORIFICE SHIELD (M3)
321	11072204	ORIFICE SHIELD (M4)
371	20162903	PRIMARY LIMIT (M2, M4)
371	20162905	PRIMARY LIMIT (M1, M3)
NS	0164M00002	PRESSURE SWITCH HOSE (QTY 2)
NS	0164M00002	PRESSURE SWITCH HOSE

Ref. Part	No: No:	Description:
-----------	---------	--------------

Expanded Model Nomenclature

M1 - GMS90403B2AA
M2 - GMS90603B2AA
M3 - GMS90804C2AA
M4 - GMS91005D2AA