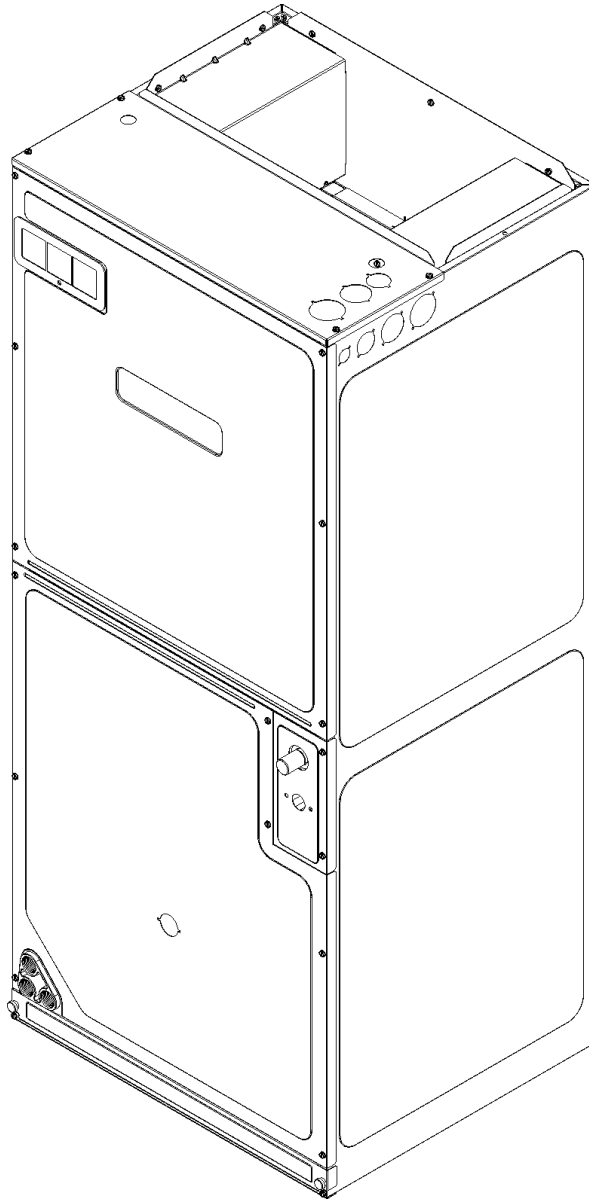


REPAIR PARTS

ARPT Air Handler

ARPT18B14AA
ARPT18B14AB
ARPT18B14AC
ARPT24B14AA
ARPT24B14AB
ARPT24B14AC
ARPT30B14AA
ARPT30B14AB
ARPT30B14AC
ARPT36C14AA
ARPT36C14AB
ARPT36C14AC
ARPT36D14AA
ARPT36D14AB
ARPT36D14AC
ARPT42D14AA
ARPT42D14AB
ARPT42D14AC
ARPT48D14AA
ARPT48D14AB
ARPT48D14AC
ARPT60D14AA
ARPT60D14AB
ARPT60D14AC



This manual is to be used by qualified technicians only.

This manual replaces RP-701B.

© 2012-2014 Goodman Manufacturing Company, L.P. ♦ 5151 San Felipe, Suite 500 ♦ Houston, TX 77056

Important Information

Index

Functional Parts List	3
Illustration and Parts	4 - 9

Views shown are for parts illustrations only, not servicing procedures

Updated 5-15-14: removed the drawing of the 9 pin wire harness

Text Codes:

AR - As Required

NA - Not Available

NS - Not Shown

00000000 - See Note

QTY - Quantity Example (QTY 3) (If Quantity not shown, Quantity = 1)

M - Model Example (M1) (If M Code not shown, then part is used on all Models)

Expanded Model Nomenclature:

Example M1 - Model#1 M2 - Model#2 M3 - Model#3

Goodman Manufacturing Company, L.P. is not responsible for personal injury or property damage resulting from improper service. Review all service information before beginning repairs.

Warranty service must be performed by an authorized technician, using authorized factory parts. If service is required after the warranty expires, Goodman Manufacturing Company, L.P. also recommends contacting an authorized technician and using authorized factory parts.

Goodman Manufacturing Company, L.P. reserves the right to discontinue, or change at any time, specifications or designs without notice or without incurring obligations.

For assistance within the U.S.A. contact:
Consumer Affairs Department
Goodman Manufacturing Company, L.P.
7401 Security Way
Houston, Texas 77040
877-254-4729-Telephone
713-863-2382-Facsimile

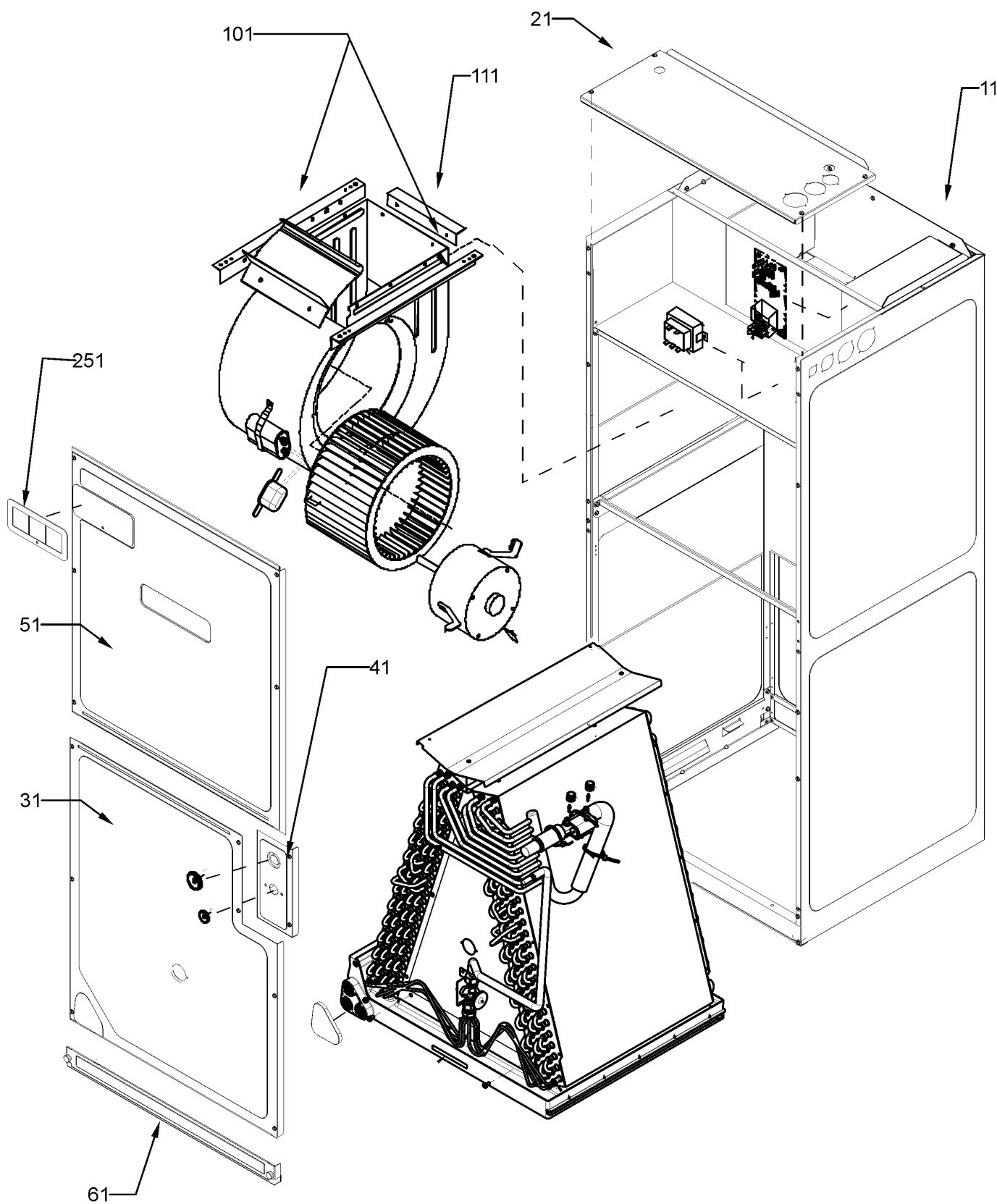
For assistance outside the U.S.A. contact:
International Division
Goodman Manufacturing Company, L.P.
7401 Security Way
Houston, Texas 77040
713-861-2500-Telephone
713-863-2382-Facsimile

Functional Parts

Part No: **Description:**

Part No:	Description:	Expanded Model Nomenclature
11091204	BLOWER MOTOR 1/2 HP, 3 SP, 8 PL (M16, M17, M18, M19, M20, M21)	M1 - ARPT18B14AA
0131M00005P	BLOWER MOTOR 1/3 HP, 3 SP, 6 PL (M1, M2, M3, M4, M5, M6, M7, M8, M9)	M2 - ARPT18B14AB
11091203	BLOWER MOTOR 1/3 HP, 3 SP, 6 PL (M10, M11, M12, M13, M14, M15)	M3 - ARPT18B14AC
0131M00297	BLOWER MOTOR, 3/4 HP, 3 SP (M22, M23, M24)	M4 - ARPT24B14AA
D6723306	BLOWER WHEEL (M13, M14, M15, M16, M17, M18)	M5 - ARPT24B14AB
B1368058	BLOWER WHEEL 10 X 8 (M10, M11, M12)	M6 - ARPT24B14AC
0150M00000	BLOWER WHEEL 9 X 6 (M1, M2, M3, M4, M5, M6, M7, M8, M9)	M7 - ARPT30B14AA
CAP100000370VAP	CAP, 10 MFD/370V/OVAL (M1, M2, M3, M4, M5, M6, M7, M8, M9, M10, M11, M12, M13, M14, M15)	M8 - ARPT30B14AB
CAP150000370VAP	CAP, 15 MFD/370V/OVAL (M16, M17, M18, M19, M20, M21)	M9 - ARPT30B14AC
CAP250000370RPP	CAP, 25 MFD/370V/ RD (M22, M23, M24)	M10 - ARPT36C14AA
PCBFM103	ELECTRONIC BLOWER TIME DELAYRELAY	M11 - ARPT36C14AB
0130M00138	TRANSFORMER 208/230, 24V	M12 - ARPT36C14AC
0151R00036	VALVE, TXV R-410A (M10, M11, M12, M13, M14, M15)	M13 - ARPT36D14AA
0151R00035	VALVE, TXV R-410A (M16, M17, M18, M19, M20, M21, M22, M23, M24)	M14 - ARPT36D14AB
0151R00019	VALVE, TXV R-410A (M1, M2, M3, M4, M5, M6, M7, M8, M9)	M15 - ARPT36D14AC
D6723311	WHEEL-BLOWER (M19, M20, M21, M22, M23, M24)	M16 - ARPT42D14AA
		M17 - ARPT42D14AB
		M18 - ARPT42D14AC
		M19 - ARPT48D14AA
		M20 - ARPT48D14AB
		M21 - ARPT48D14AC
		M22 - ARPT60D14AA
		M23 - ARPT60D14AB
		M24 - ARPT60D14AC
SPECIAL PARTS		
PKCG-4001F	PISTON KIT CHART	

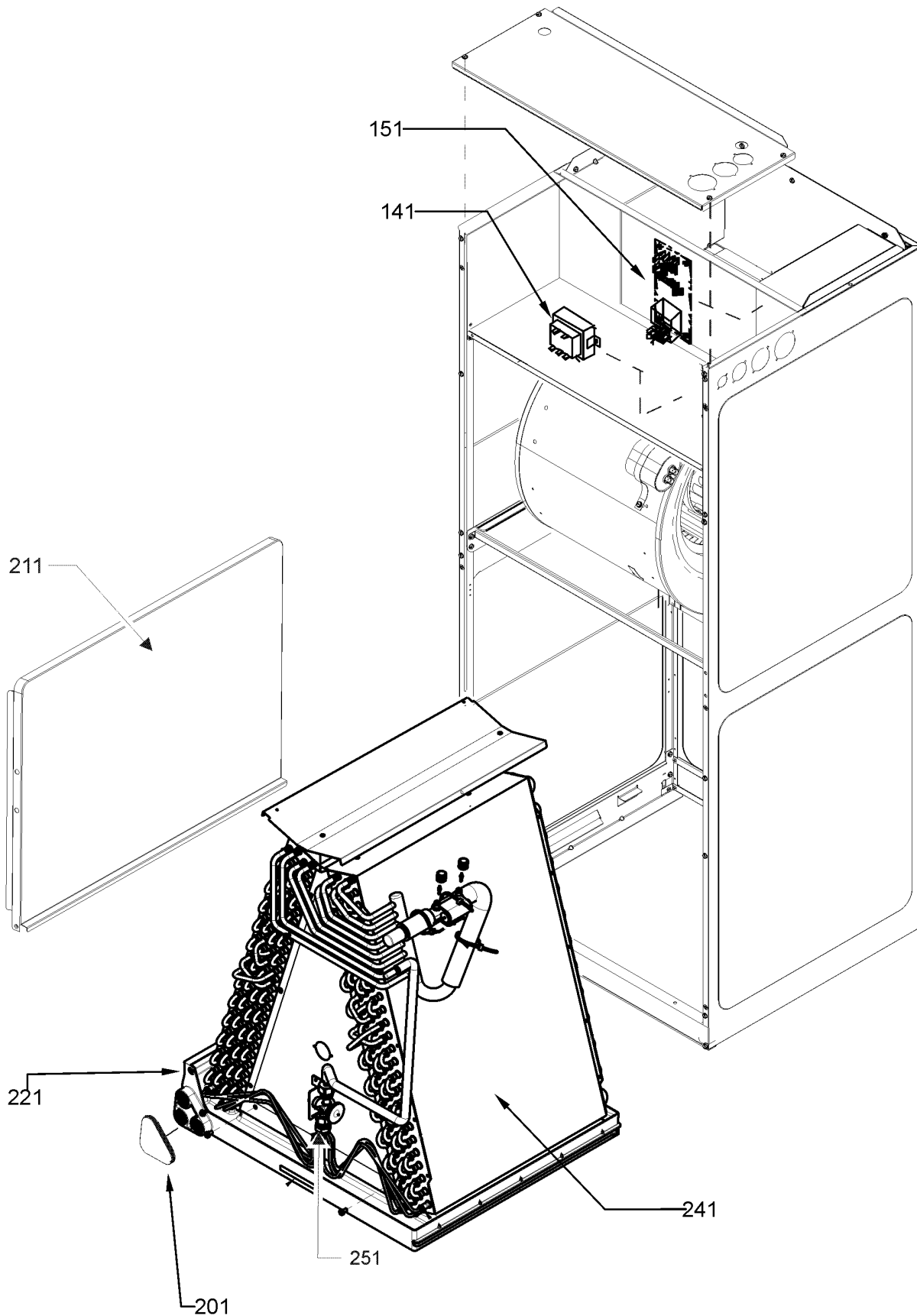
Cabinet Assy



Cabinet Assy

Ref. Part No:	Description:	Ref. Part No:	Description:
<i>Image 1:</i>		Expanded Model Nomenclature	
11	0121A00276PDG WRAPPER, LARGE, PAINTED (M13, M14, M15, M16, M17, M18, M19, M20, M21, M22, M23, M24)	M1 - ARPT18B14AA	
11	0121A00280PDG WRAPPER, MED, PAINTED (M10, M11, M12)	M2 - ARPT18B14AB	
11	0121A00281PDG WRAPPER, SM, PAINTED (M1, M2, M3, M4, M5, M6, M7, M8, M9)	M3 - ARPT18B14AC	
21	0121A00252PDG Plate, Upper Tie, Ptd (M1, M2, M3, M4, M5, M6, M7, M8, M9)	M4 - ARPT24B14AA	
21	0121A00253PDG Plate, Upper Tie, Ptd (M10, M11, M12)	M5 - ARPT24B14AB	
21	0121A00254PDG Plate, Upper Tie, Ptd (M13, M14, M15, M16, M17, M18, M19, M20, M21, M22, M23, M24)	M6 - ARPT24B14AC	
31	0121A00248PDG Panel, Lower Access, Ptd (M1, M2, M3, M4, M5, M6, M7, M8, M9)	M7 - ARPT30B14AA	
31	0121A00249PDG Panel, Lower Access, Ptd (M10, M11, M12)	M8 - ARPT30B14AB	
31	0121A00250PDG Panel, Lower Access, Ptd (M13, M14, M15, M16, M17, M18, M19, M20, M21, M22, M23, M24)	M9 - ARPT30B14AC	
41	0121A00366PDG PANEL REFRIGERANT TUBING	M10 - ARPT36C14AA	
51	0121A00178PDG Panel, Upper Access, Ptd (M13, M14, M15, M16, M17, M18, M19, M20, M21, M22, M23, M24)	M11 - ARPT36C14AB	
51	0121A00209PDG Panel, Upper Access, Ptd (M10, M11, M12)	M12 - ARPT36C14AC	
51	0121A00210PDG Panel, Upper Access, Ptd (M1, M2, M3, M4, M5, M6, M7, M8, M9)	M13 - ARPT36D14AA	
61	0121A00242PDG Panel, Filter Access, Ptd (M1, M2, M3, M4, M5, M6, M7, M8, M9)	M14 - ARPT36D14AB	
61	0121A00243PDG Panel, Filter Access, Ptd (M10, M11, M12)	M15 - ARPT36D14AC	
61	0121A00244PDG Panel, Filter Access, Ptd (M13, M14, M15, M16, M17, M18, M19, M20, M21, M22, M23, M24)	M16 - ARPT42D14AA	
101	0121A00275 Rail, Blower (M19, M20, M21, M22, M23, M24)	M17 - ARPT42D14AB	
101	0121A00336 Rail, Blower (M1, M2, M3, M4, M5, M6, M7, M8, M9)	M18 - ARPT42D14AC	
111	0121A00337 Angle, Blower Mounting (M1, M2, M3, M4, M5, M6, M7, M8, M9)	M19 - ARPT48D14AA	
111	0121A00353 Angle, Blower Mounting (M19, M20, M21, M22, M23, M24)	M20 - ARPT48D14AB	
251	0161A00034 PLASTIC CIRCUIT BREAKER INSERT	M21 - ARPT48D14AC	
NS	BT1369063 90 DEGREE STUB (M7, M8, M9, M10, M11, M12, M13, M14, M15, M16, M17, M18, M19, M20, M21, M22, M23, M24)	M22 - ARPT60D14AA	
NS	0164A00002 GROMMET	M23 - ARPT60D14AB	
NS	B1392630 GROMMET	M24 - ARPT60D14AC	
NS	0163M00036 SCREW,#10X1/2,B,BZ,SLOT,SR,BLK		

Internal Components



Internal Components

Ref. Part No:	No:	Description:	Ref. Part No:	No:	Description:
<i>Image 1:</i>			Expanded Model Nomenclature		
141	0130M00138	TRANSFORMER 208/230, 24V	M1	-	ARPT18B14AA
151	PCBFM103	ELECTRONIC BLOWER TIME DELAYRELAY	M2	-	ARPT18B14AB
201	0154A00003BL	Gasket, Drain Pan	M3	-	ARPT18B14AC
211	0121A00304PDG	Drip Shield, Ptd (M1, M2, M3, M4, M5, M6, M7, M8, M9)	M4	-	ARPT24B14AA
211	0121A00305PDG	Drip Shield, Ptd (M10, M11, M12)	M5	-	ARPT24B14AB
211	0121A00306PDG	Drip Shield, Ptd (M13, M14, M15, M16, M17, M18, M19, M20, M21, M22, M23, M24)	M6	-	ARPT24B14AC
221	0161A00026	DRAIN PAN (M1, M2, M3, M4, M5, M6, M7, M8, M9)	M7	-	ARPT30B14AA
221	0161A00027	DRAIN PAN (M10, M11, M12)	M8	-	ARPT30B14AB
221	0161A00028	DRAIN PAN (M13, M14, M15, M16, M17, M18, M19, M20, M21, M22, M23, M24)	M9	-	ARPT30B14AC
241	0270A00672	COIL TUBING ASSY (M1, M4)	M10	-	ARPT36C14AA
241	0270A00680	COIL TUBING ASSY (M19, M22)	M11	-	ARPT36C14AB
241	0270A00681	COIL TUBING ASSY (M7)	M12	-	ARPT36C14AC
241	0270A00682	COIL TUBING ASSY (M13)	M13	-	ARPT36D14AA
241	0270A00686	COIL TUBING ASSY (M16)	M14	-	ARPT36D14AB
241	0270A00691	COIL TUBING ASSY (M10)	M15	-	ARPT36D14AC
241	0270A00697	COIL TUBING ASSY (M2, M3, M5, M6)	M16	-	ARPT42D14AA
241	0270A00699	COIL TUBING ASSY (M8, M9)	M17	-	ARPT42D14AB
241	0270A00702	COIL TUBING ASSY (M11, M12)	M18	-	ARPT42D14AC
241	0270A00704	COIL TUBING ASSY (M14, M15)	M19	-	ARPT48D14AA
241	0270A00705	COIL TUBING ASSY (M17, M18)	M20	-	ARPT48D14AB
241	0270A00708	COIL TUBING ASSY (M20, M21, M23, M24)	M21	-	ARPT48D14AC
251	0151R00019	VALVE, TXV R-410A (M1, M2, M3, M4, M5, M6, M7, M8, M9)	M22	-	ARPT60D14AA
251	0151R00035	VALVE, TXV R-410A (M16, M17, M18, M19, M20, M21, M22, M23, M24)	M23	-	ARPT60D14AB
251	0151R00036	VALVE, TXV R-410A (M10, M11, M12, M13, M14, M15)	M24	-	ARPT60D14AC
NS	0163M00175	CAP WITH O-RING			
NS	PKCG-4001F	PISTON KIT CHART			
NS	0161A00047	Plastic Condensate Collector (M1, M4, M7, M10, M13, M16, M19, M22)			
NS	0161A00048	Plastic Condensate Collector (M1, M4, M7, M10, M13, M16, M19, M22)			
NS	B1787000	VALVE CORE			
NS	0259A00012P	WIRE ASSY, 9 PIN FEMALE CONN.			
NS	0259A00013P	WIRE ASSY, 9 PIN MALE CONN.			

Blower Components

Image 1

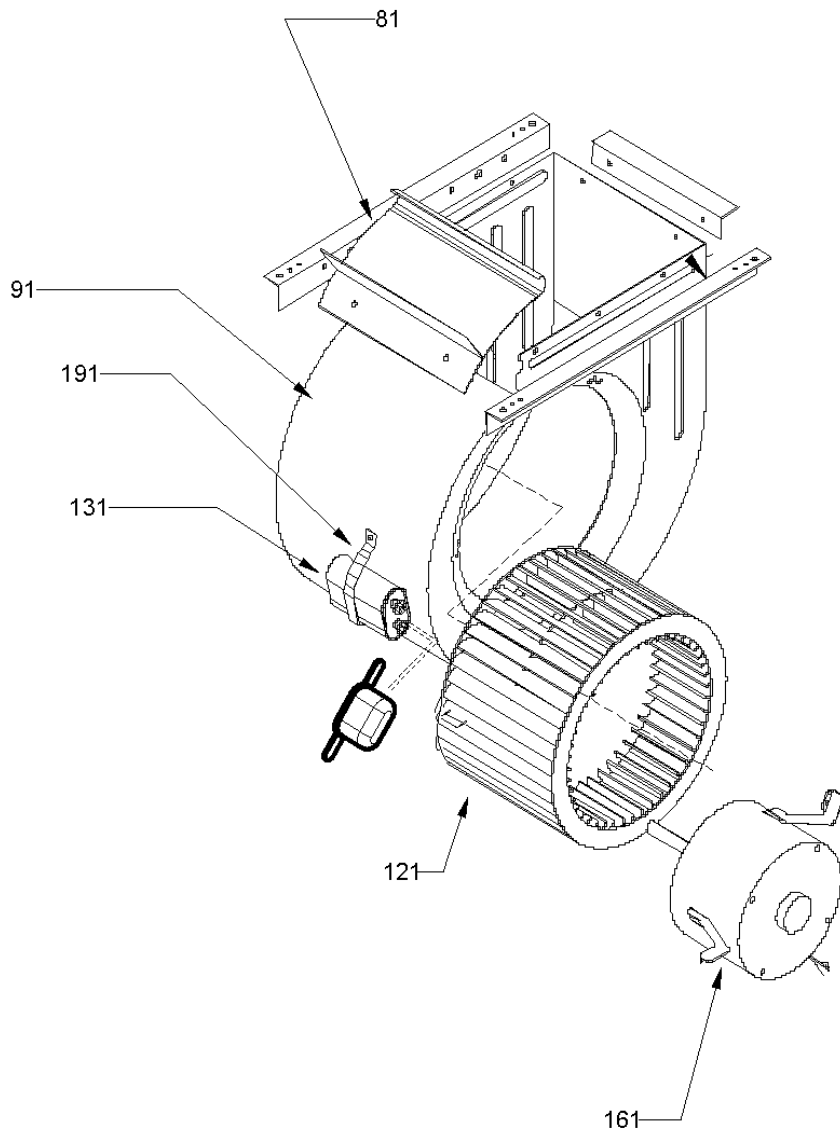
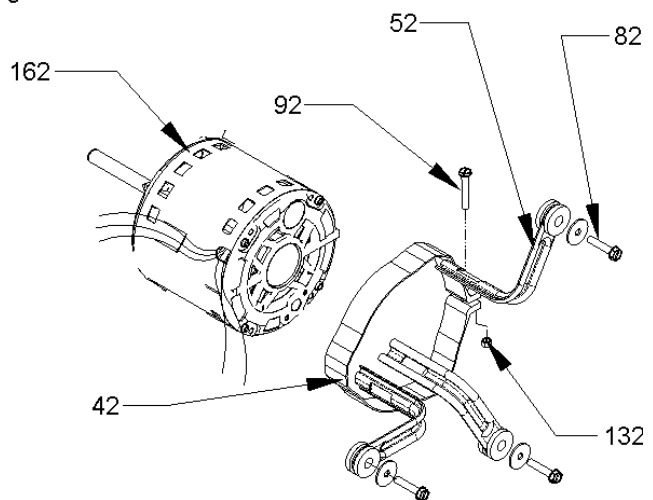


Image 2



Blower Components

Ref. Part No:	No:	Description:	Ref. Part No:	No:	Description:
<i>Image 1:</i>			Expanded Model Nomenclature		
81	1864700F	BELT DRIVE BLOWER CUT-OFF (M19, M20, M21, M22, M23, M24)	M1 - ARPT18B14AA		
81	764741F	BLOWER BLOCK-OFF 10 X 10 (M13, M14, M15, M16, M17, M18)	M2 - ARPT18B14AB		
81	764733F	BLOWER CUT-OFF 9 X 6 (M1, M2, M3, M4, M5, M6, M7, M8, M9)	M3 - ARPT18B14AC		
81	764740	BLWR BLK-OFF,10X8 (M10, M11, M12)	M4 - ARPT24B14AA		
91	0271A00016	ASSY, BLOWER SHELL (M13, M14, M15, M16, M17, M18)	M5 - ARPT24B14AB		
91	0271A00013	ASSY, BLOWER SHELL (11 X 10) (M19, M20, M21, M22, M23, M24)	M6 - ARPT24B14AC		
91	0271A00029	BLOWER HOUSING ASSY 10 X 8 (M10, M11, M12)	M7 - ARPT30B14AA		
91	1439389	BLOWER SHELL ASM F/ 9X6 WHL (M1, M2, M3, M4, M5, M6, M7, M8, M9)	M8 - ARPT30B14AB		
121	D6723306	BLOWER WHEEL (M13, M14, M15, M16, M17, M18)	M9 - ARPT30B14AC		
121	B1368058	BLOWER WHEEL 10 X 8 (M10, M11, M12)	M10 - ARPT36C14AA		
121	0150M00000	BLOWER WHEEL 9 X 6 (M1, M2, M3, M4, M5, M6, M7, M8, M9)	M11 - ARPT36C14AB		
121	D6723311	WHEEL-BLOWER (M19, M20, M21, M22, M23, M24)	M12 - ARPT36C14AC		
131	CAP100000370VAP	CAP, 10 MFD/370V/OVAL (M1, M2, M3, M4, M5, M6, M7, M8, M9, M10, M11, M12, M13, M14, M15)	M13 - ARPT36D14AA		
131	CAP150000370VAP	CAP, 15 MFD/370V/OVAL (M16, M17, M18, M19, M20, M21)	M14 - ARPT36D14AB		
131	CAP250000370RPP	CAP, 25 MFD/370V/ RD (M22, M23, M24)	M15 - ARPT36D14AC		
161	0131M00005P	BLOWER MOTOR 1/3 HP, 3 SP, 6 PL (M1, M2, M3, M4, M5, M6, M7, M8, M9)	M16 - ARPT42D14AA		
161	11091203	BLOWER MOTOR 1/3 HP, 3 SP, 6 PL (M10, M11, M12, M13, M14, M15)	M17 - ARPT42D14AB		
191	1284835	CAPACITOR STRAP	M18 - ARPT42D14AC		
NS	B1393309	MACHINE SCREW, 1/4-20 TPI X 3/4" LG (M1, M2, M3, M4, M5, M6, M7, M8, M9)	M19 - ARPT48D14AA		
NS	M0250558	TC SCREW (M10, M11, M12, M13, M14, M15)	M20 - ARPT48D14AB		
<i>Image 2:</i>			M21 - ARPT48D14AC		
42	0121M00039	MOTOR MOUNT BAND (HEAVY DUTY) (M16, M17, M18, M19, M20, M21, M22, M23, M24)	M22 - ARPT60D14AA		
52	B1376863	MOTOR MOUNT ARM (HEAVY DUTY) (M16, M17, M18, M19, M20, M21, M22, M23, M24)	M23 - ARPT60D14AB		
82	B1393527	SCREW,HWH,14X1-1/2,A,BZ,SLOT (M19, M20, M21, M22, M23, M24)	M24 - ARPT60D14AC		
82	M0250565	TC SCREW 1.25" (M16, M17, M18)			
92	B1393323	MACHINE SCREW HWH 1/4-20 X 1-1/2 BZ (M16, M17, M18, M19, M20, M21, M22, M23, M24)			
132	B1393800	LOCKNUT, NYLON, INSERT 1/4, 20 (M16, M17, M18, M19, M20, M21, M22, M23, M24)			
162	11091204	BLOWER MOTOR 1/2 HP, 3 SP, 8 PL (M16, M17, M18, M19, M20, M21)			
162	0131M00297	BLOWER MOTOR, 3/4 HP, 3 SP (M22, M23, M24)			