

REPAIR PARTS

Tubular Gas Furnaces GDT, GMT, GMTH

GDT045-3A
GDT070-3A
GDT090-4A
GDT115-5A
GMT045-3A
GMT070-3A
GMT070-4A
GMT090-3A
GMT090-4A
GMT090-5A
GMT115-5A
GMT140-5A
GMTH045-3A
GMTH070-4A
GMTH090-5A



Goodman Manufacturing Company, L.P.
5151 San Felipe, Suite 500
Houston, TX 77056

www.goodmanmfg.com



RP-288
March 2008

Important Information

Index

Functional Parts List	3
Illustration and Parts	4 - 9

Views shown are for parts illustrations only, not servicing procedures

Text Codes:

AR - As Required

NA - Not Available

NS - Not Shown

00000000 - See Note

QTY - Quantity Example (QTY 3) (If Quantity not shown, Quantity = 1)

M - Model Example (M1) (If M Code not shown, then part is used on all Models)

Expanded Model Nomenclature:

Example M1 - Model#1 M2 - Model#2 M3 - Model#3

Goodman Manufacturing Company, L.P. is not responsible for personal injury or property damage resulting from improper service. Review all service information before beginning repairs.

Warranty service must be performed by an authorized technician, using authorized factory parts. If service is required after the warranty expires, Goodman Manufacturing Company, L.P. also recommends contacting an authorized technician and using authorized factory parts.

Goodman Manufacturing Company, L.P. reserves the right to discontinue, or change at any time, specifications or designs without notice or without incurring obligations.

For assistance within the U.S.A. contact:
Consumer Affairs Department
Goodman Manufacturing Company, L.P.
7401 Security Way
Houston, Texas 77040
877-254-4729-Telephone
713-863-2382-Facsimile

For assistance outside the U.S.A. contact:
International Division
Goodman Manufacturing Company, L.P.
7401 Security Way
Houston, Texas 77040
713-861-2500-Telephone
713-863-2382-Facsimile

Functional Parts

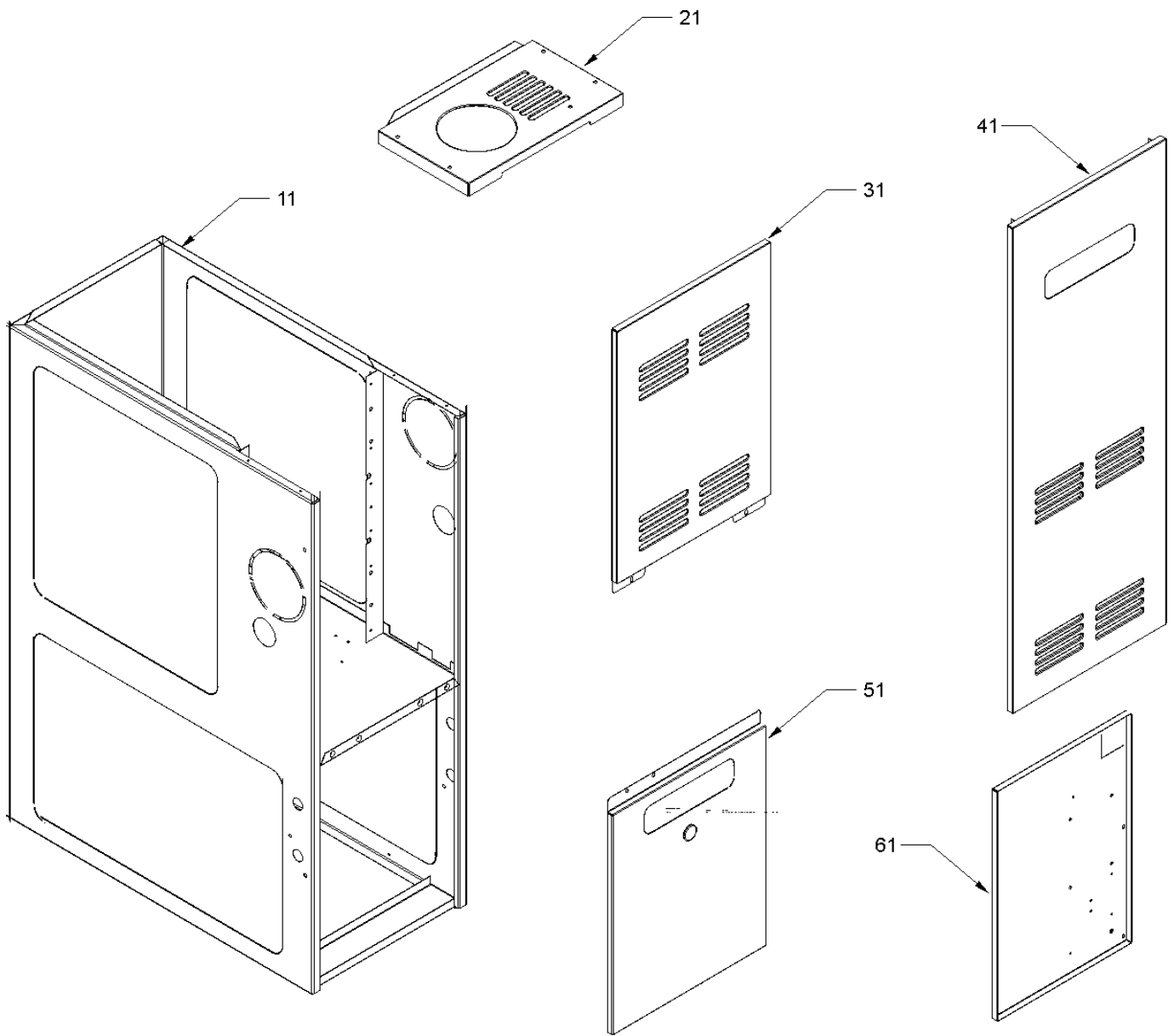
Part

No: Description:

Part No:	Description:																	
B1340020S	BLOWER MOTOR 1/2 HP, DIRECT DRIVE (M3, M4, M5, M10, M12, M13, M14)	IO-206C	INSTALLATION INSTRUCTIONS (M1, M2, M3, M4)															
B1340025S	BLOWER MOTOR 1/3 HP, 4 SP, 6 PL (M1, M2)	IO-181D	INSTALLATION INSTRUCTIONS (M5, M6, M7, M8, M9, M10, M11, M12, M13, M14, M15)															
B1340021S	BLOWER MOTOR 1/3 HP, DIRECT DRIVE (M8, M9, M11)	0161F00000P	NAMEPLATE, GOODMAN (M1, M2, M3, M4)															
B1340023S	BLOWER MOTOR 3/4 HP, DIRECT DRIVE (M6, M7, M15)	RP-288	REPAIR PARTS MANUAL															
CAP100000370VAS	CAPACITOR 10/370V (M3, M4, M5, M10, M12, M13, M14)	IO-604	SPECIAL INSTRUCTIONS 36G VALVE															
CAP125000370RPS	CAPACITOR 12.5/370V (M1, M2, M6, M7, M8, M9, M11, M15)	IO-616	SUPPLEMENT															
0130F00010	FLAME SENSOR	OBSOLETE	USERS MANUAL															
B1282628	GAS VALVE (36G)	Expanded Model Nomenclature																
B1401018S	HOT SURFACE IGNITOR	<table border="1"> <tr><td>M1 - GDT045-3A</td></tr> <tr><td>M2 - GDT070-3A</td></tr> <tr><td>M3 - GDT090-4A</td></tr> <tr><td>M4 - GDT115-5A</td></tr> <tr><td>M5 - GMTH045-3A</td></tr> <tr><td>M6 - GMTH070-4A</td></tr> <tr><td>M7 - GMTH090-5A</td></tr> <tr><td>M8 - GMT045-3A</td></tr> <tr><td>M9 - GMT070-3A</td></tr> <tr><td>M10 - GMT070-4A</td></tr> <tr><td>M11 - GMT090-3A</td></tr> <tr><td>M12 - GMT090-4A</td></tr> <tr><td>M13 - GMT090-5A</td></tr> <tr><td>M14 - GMT115-5A</td></tr> <tr><td>M15 - GMT140-5A</td></tr> </table>		M1 - GDT045-3A	M2 - GDT070-3A	M3 - GDT090-4A	M4 - GDT115-5A	M5 - GMTH045-3A	M6 - GMTH070-4A	M7 - GMTH090-5A	M8 - GMT045-3A	M9 - GMT070-3A	M10 - GMT070-4A	M11 - GMT090-3A	M12 - GMT090-4A	M13 - GMT090-5A	M14 - GMT115-5A	M15 - GMT140-5A
M1 - GDT045-3A																		
M2 - GDT070-3A																		
M3 - GDT090-4A																		
M4 - GDT115-5A																		
M5 - GMTH045-3A																		
M6 - GMTH070-4A																		
M7 - GMTH090-5A																		
M8 - GMT045-3A																		
M9 - GMT070-3A																		
M10 - GMT070-4A																		
M11 - GMT090-3A																		
M12 - GMT090-4A																		
M13 - GMT090-5A																		
M14 - GMT115-5A																		
M15 - GMT140-5A																		
B4026005	MANIFOLD - 2 BRNR (M1, M5, M8)																	
B4026006	MANIFOLD - 3 BRNR (M2, M6, M9, M10)																	
B4026007	MANIFOLD - 4 BRNR (M3, M7, M11, M12, M13)																	
B4026008	MANIFOLD - 5 BRNR (M4, M14)																	
B4026009	MANIFOLD - 6 BRNR (M15)																	
B1370187	PRIMARY LIMIT SWITCH 160°F (M15)																	
B1370919	PRIMARY LIMIT SWITCH 170°F (M10)																	
B1370920	PRIMARY LIMIT SWITCH 180°F (M9)																	
B1370190	PRIMARY LIMIT SWITCH 210°F (M11, M12)																	
B1370191	PRIMARY LIMIT SWITCH 220°F (M4, M14)																	
B1370192	PRIMARY LIMIT SWITCH 230°F (M5)																	
B1370193	PRIMARY LIMIT SWITCH 240°F (M2, M7)																	
B1370194	PRIMARY LIMIT SWITCH 250°F (M3)																	
B1370197	PRIMARY LIMIT SWITCH 270°F (M13)																	
B1370195	PRIMARY LIMIT SWITCH 300°F (M1, M8)																	
B1370145	ROLLOUT SWITCH, 300° W/O BRKT																	
4021300S	SUB-ASSY, HEAT EXCHANGER 2 CL 14" (M1, M5, M8)																	
4021307S	SUB-ASSY, HEAT EXCHANGER 3 CL 14" (M2, M9)																	
4021308S	SUB-ASSY, HEAT EXCHANGER 3 CL 17.5" (M6, M10)																	
4021309S	SUB-ASSY, HEAT EXCHANGER 4 CL 17.5" (M3, M11, M12)																	
4021310S	SUB-ASSY, HEAT EXCHANGER 4 CL 21" (M7, M13)																	
4021311S	SUB-ASSY, HEAT EXCHANGER 5 CL 21" (M4, M14)																	
4021312S	SUB-ASSY, HEAT EXCHANGER 6 CL 24.5" (M15)																	
B1141605	TRANSFORMER 120V TO 24V, 40 VA																	
B4059001	VENT MOTOR																	

SPECIAL PARTS

Wrapper Assy



Wrapper Assy

Ref Part No:	Description:	Ref. Part No:	Description:
<i>Image 1:</i>			
11 4026508S	INSULATED ASSY, WRAPPER 14" (M5, M8, M9)		
11 4026512S	INSULATED ASSY, WRAPPER 14" (M1, M2)		
11 4026509S	INSULATED ASSY, WRAPPER 17.5" (M6, M10, M11, M12)		
11 4026513S	INSULATED ASSY, WRAPPER 17.5" (M3)		
11 4026510S	INSULATED ASSY, WRAPPER 21" (M7, M13, M14)		
11 4026514S	INSULATED ASSY, WRAPPER 21" (M4)		
11 4026511S	INSULATED ASSY, WRAPPER 24.5" (M15)		
21 4008008P	TOP 14" MOD. "A" (M1, M2, M5, M8, M9)		
21 4008009P	TOP 17.5" MOD. "A" (M3, M6, M10, M11, M12)		
21 4008010P	TOP 21" MOD. "A" (M4, M7, M13, M14)		
21 4008011P	TOP 24.5" MOD. "A" (M15)		
31 0221F00004PBB	CONTROL ACCESS DOOR 14" (M5, M8, M9)		
31 0221F00005PBB	CONTROL ACCESS DOOR 17.5" (M6, M10, M11, M12)		
31 0221F00006PBB	CONTROL ACCESS DOOR 21" (M7, M13, M14)		
31 0221F00007PBB	CONTROL ACCESS DOOR 24.5" (M15)		
41 0221F00008PBB	CONTROL ACCESS DOOR [DOWNFLOW] 14" (M1, M2)		
41 0221F00009PBB	CONTROL ACCESS DOOR [DOWNFLOW] 17.5" (M3)		
41 0221F00010PBB	CONTROL ACCESS DOOR [DOWNFLOW] 21" (M4)		
51 0221F00011PBB	BLOWER ACCESS DOOR 14" (M5, M8, M9)		
51 0221F00012PBB	BLOWER ACCESS DOOR 17.5" (M6, M10, M11, M12, M13, M14)		
51 0221F00013PBB	BLOWER ACCESS DOOR 21" (M7, M13, M14)		
51 0221F00014PBB	BLOWER ACCESS DOOR 24.5" (M15)		
61 2515008	INNER BLOWER DOOR 14" (M1, M2)		
61 2515009	INNER BLOWER DOOR 17.5" (M3)		
61 2515010	INNER BLOWER DOOR 21" (M4)		

Expanded Model Nomenclature

- M1 - GDT045-3A
- M2 - GDT070-3A
- M3 - GDT090-4A
- M4 - GDT115-5A
- M5 - GMTH045-3A
- M6 - GMTH070-4A
- M7 - GMTH090-5A
- M8 - GMT045-3A
- M9 - GMT070-3A
- M10 - GMT070-4A
- M11 - GMT090-3A
- M12 - GMT090-4A
- M13 - GMT090-5A
- M14 - GMT115-5A
- M15 - GMT140-5A

Heat Exchanger/Burner Box Assy

Image 1

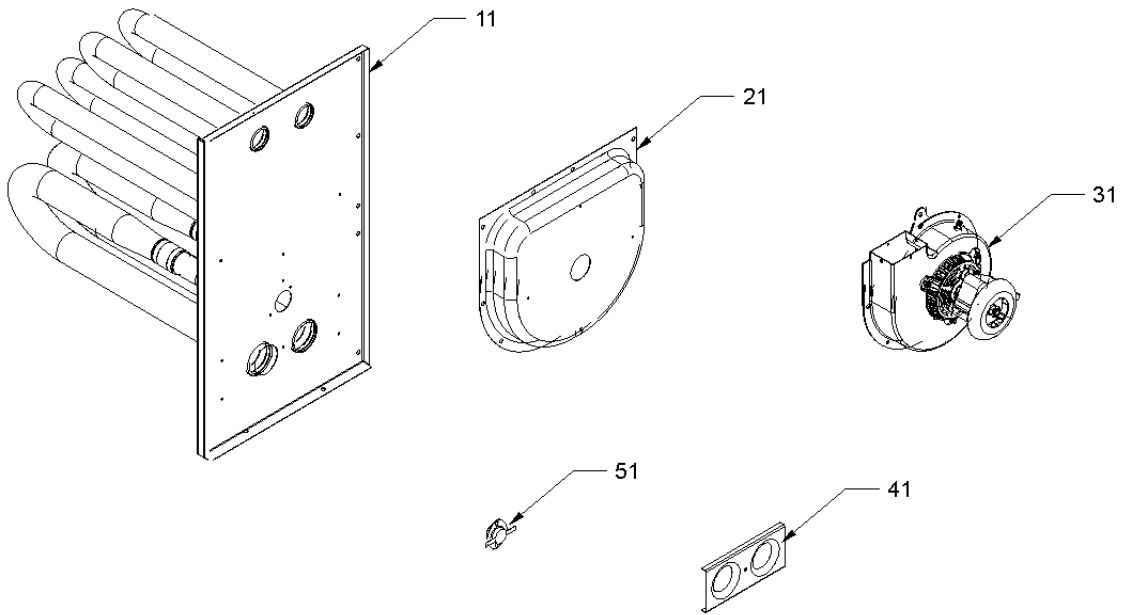
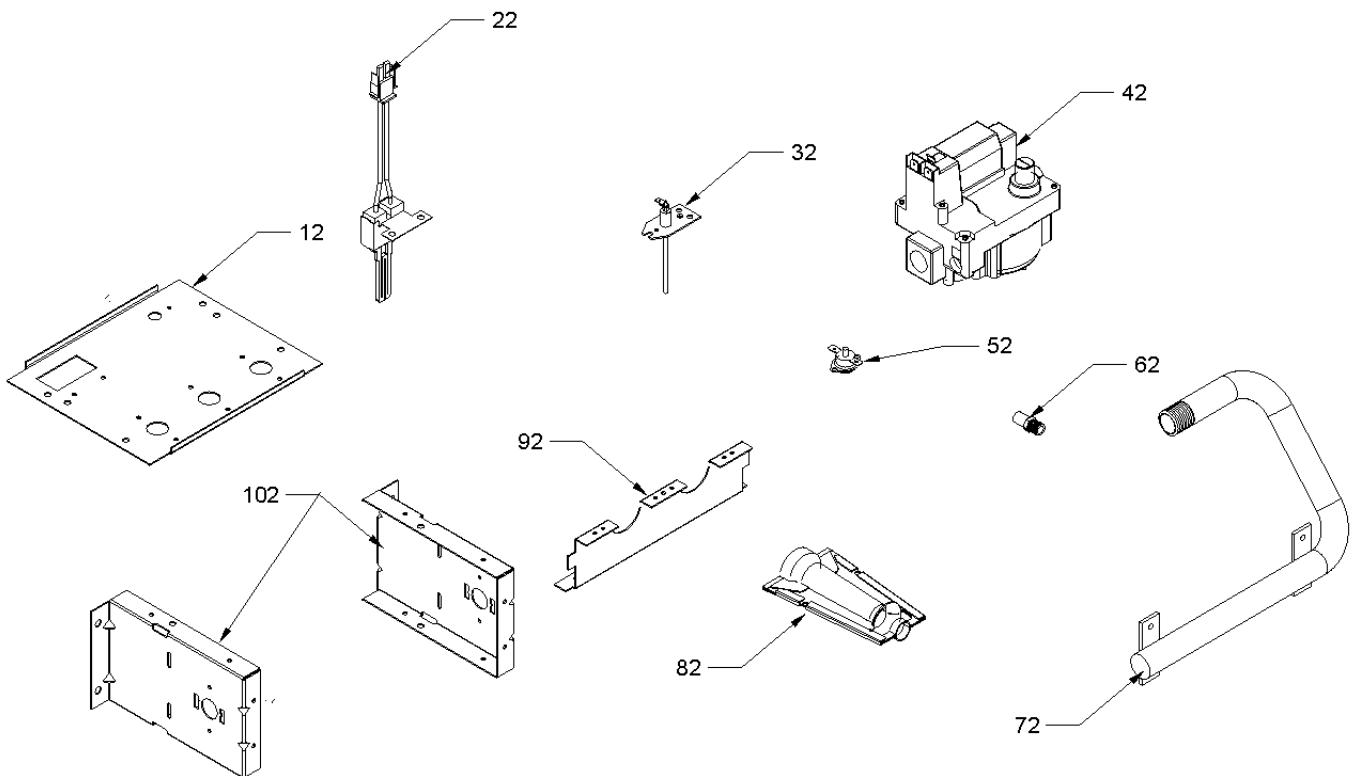


Image 2



Heat Exchanger/Burner Box Assy

Ref Part No:	Description:	Ref. Part No:	Description:															
<i>Image 1:</i>		72	B4026005 MANIFOLD - 2 BRNR (M1, M5, M8)															
11	4021300S SUB-ASSY, HEAT EXCHANGER 2 CL 14" (M1, M5, M8)	72	B4026006 MANIFOLD - 3 BRNR (M2, M6, M9, M10)															
11	4021307S SUB-ASSY, HEAT EXCHANGER 3 CL 14" (M2, M9)	72	B4026007 MANIFOLD - 4 BRNR (M3, M7, M11, M12, M13)															
11	4021308S SUB-ASSY, HEAT EXCHANGER 3 CL 17.5" (M6, M10)	72	B4026008 MANIFOLD - 5 BRNR (M4, M14)															
11	4021309S SUB-ASSY, HEAT EXCHANGER 4 CL 17.5" (M3, M11, M12)	72	B4026009 MANIFOLD - 6 BRNR (M15)															
11	4021310S SUB-ASSY, HEAT EXCHANGER 4 CL 21" (M7, M13)	82	B4022700 INSHOT BURNER ASSY 3" (QTY 2)															
11	4021311S SUB-ASSY, HEAT EXCHANGER 5 CL 21" (M4, M14)	92	2513500 BURNER BRACKET 2B (M1, M5, M8)															
11	4021312S SUB-ASSY, HEAT EXCHANGER 6 CL 24.5" (M15)	92	2513501 BURNER BRACKET 3B (M2, M6, M9, M10)															
21	4010012S FLUE COLLECTOR BOX KIT 14" (M1, M5, M8)	92	2513502 BURNER BRACKET 4B (M3, M7, M11, M12, M13)															
21	4010013S FLUE COLLECTOR BOX KIT 14" (M2, M9)	92	2513503 BURNER BRACKET 5B (M4, M14)															
21	4010014S FLUE COLLECTOR BOX KIT 17.5" (M6, M10)	92	2513504 BURNER BRACKET 6B (M15)															
21	4010015S FLUE COLLECTOR BOX KIT 17.5" (M3, M11, M12)	102	2514000 SIDE PLATE, BURNER BOX (QTY 2)															
21	4010016S FLUE COLLECTOR BOX KIT 21" (M7, M13)	Expanded Model Nomenclature																
21	4010017S FLUE COLLECTOR BOX KIT 21" (M4, M14)	<table border="1"> <tr><td>M1 - GDT045-3A</td></tr> <tr><td>M2 - GDT070-3A</td></tr> <tr><td>M3 - GDT090-4A</td></tr> <tr><td>M4 - GDT115-5A</td></tr> <tr><td>M5 - GMTH045-3A</td></tr> <tr><td>M6 - GMTH070-4A</td></tr> <tr><td>M7 - GMTH090-5A</td></tr> <tr><td>M8 - GMT045-3A</td></tr> <tr><td>M9 - GMT070-3A</td></tr> <tr><td>M10 - GMT070-4A</td></tr> <tr><td>M11 - GMT090-3A</td></tr> <tr><td>M12 - GMT090-4A</td></tr> <tr><td>M13 - GMT090-5A</td></tr> <tr><td>M14 - GMT115-5A</td></tr> <tr><td>M15 - GMT140-5A</td></tr> </table>		M1 - GDT045-3A	M2 - GDT070-3A	M3 - GDT090-4A	M4 - GDT115-5A	M5 - GMTH045-3A	M6 - GMTH070-4A	M7 - GMTH090-5A	M8 - GMT045-3A	M9 - GMT070-3A	M10 - GMT070-4A	M11 - GMT090-3A	M12 - GMT090-4A	M13 - GMT090-5A	M14 - GMT115-5A	M15 - GMT140-5A
M1 - GDT045-3A																		
M2 - GDT070-3A																		
M3 - GDT090-4A																		
M4 - GDT115-5A																		
M5 - GMTH045-3A																		
M6 - GMTH070-4A																		
M7 - GMTH090-5A																		
M8 - GMT045-3A																		
M9 - GMT070-3A																		
M10 - GMT070-4A																		
M11 - GMT090-3A																		
M12 - GMT090-4A																		
M13 - GMT090-5A																		
M14 - GMT115-5A																		
M15 - GMT140-5A																		
21	4010018S FLUE COLLECTOR BOX KIT 24.5" (M15)																	
31	B4059001 VENT MOTOR																	
41	4028000 ORIFICE SHIELD 2 CL (M1, M5, M8)																	
41	4028001 ORIFICE SHIELD 3 CL (M2, M6, M9, M10)																	
41	4028002 ORIFICE SHIELD 4 CL (M3, M7, M11, M12, M13)																	
41	4028003 ORIFICE SHIELD 5 CL (M4, M14)																	
41	4028004 ORIFICE SHIELD 6 CL (M15)																	
51	B1370187 PRIMARY LIMIT SWITCH 160°F (M15)																	
51	B1370919 PRIMARY LIMIT SWITCH 170°F (M10)																	
51	B1370920 PRIMARY LIMIT SWITCH 180°F (M9)																	
51	B1370190 PRIMARY LIMIT SWITCH 210°F (M11, M12)																	
51	B1370191 PRIMARY LIMIT SWITCH 220°F (M4, M14)																	
51	B1370192 PRIMARY LIMIT SWITCH 230°F (M5)																	
51	B1370193 PRIMARY LIMIT SWITCH 240°F (M2, M7)																	
51	B1370194 PRIMARY LIMIT SWITCH 250°F (M3)																	
51	B1370197 PRIMARY LIMIT SWITCH 270°F (M13)																	
51	B1370195 PRIMARY LIMIT SWITCH 300°F (M1, M8)																	
NS	2509503 ROLLOUT SWITCH BRACKET																	
<i>Image 2:</i>																		
12	4013005 BURNER BOX TOP, 2 CL (M1, M5, M8)																	
12	4013006 BURNER BOX TOP, 3 CL (M2, M6, M9, M10)																	
12	4013007 BURNER BOX TOP, 4 CL (M3, M7, M11, M12, M13)																	
12	4013008 BURNER BOX TOP, 5 CL (M4, M14)																	
12	4013009 BURNER BOX TOP, 6 CL (M15)																	
22	B1401018S HOT SURFACE IGNITOR																	
32	0130F00010 FLAME SENSOR																	
42	B1282628 GAS VALVE (36G)																	
52	B1370145 ROLLOUT SWITCH, 300° W/O BRKT																	
62	10716003 ORIFICE (QTY 2)																	

Blower Assy/Miscellaneous

Image 1

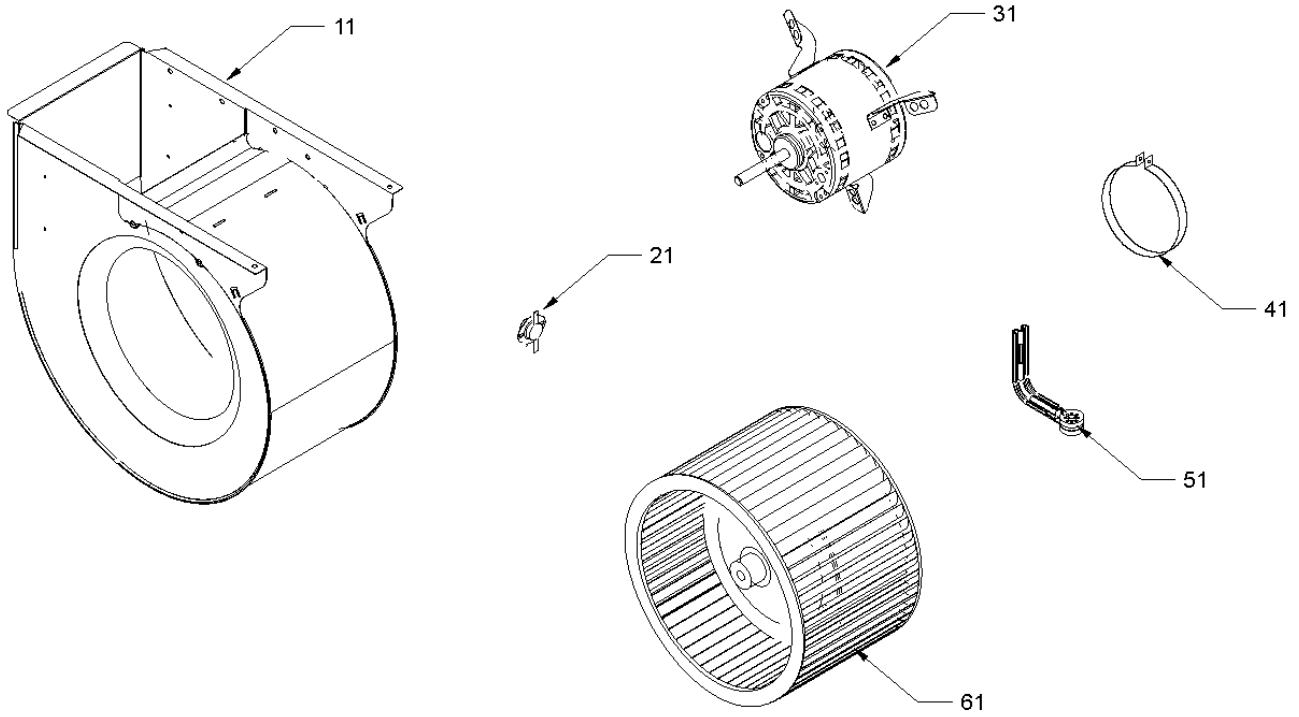
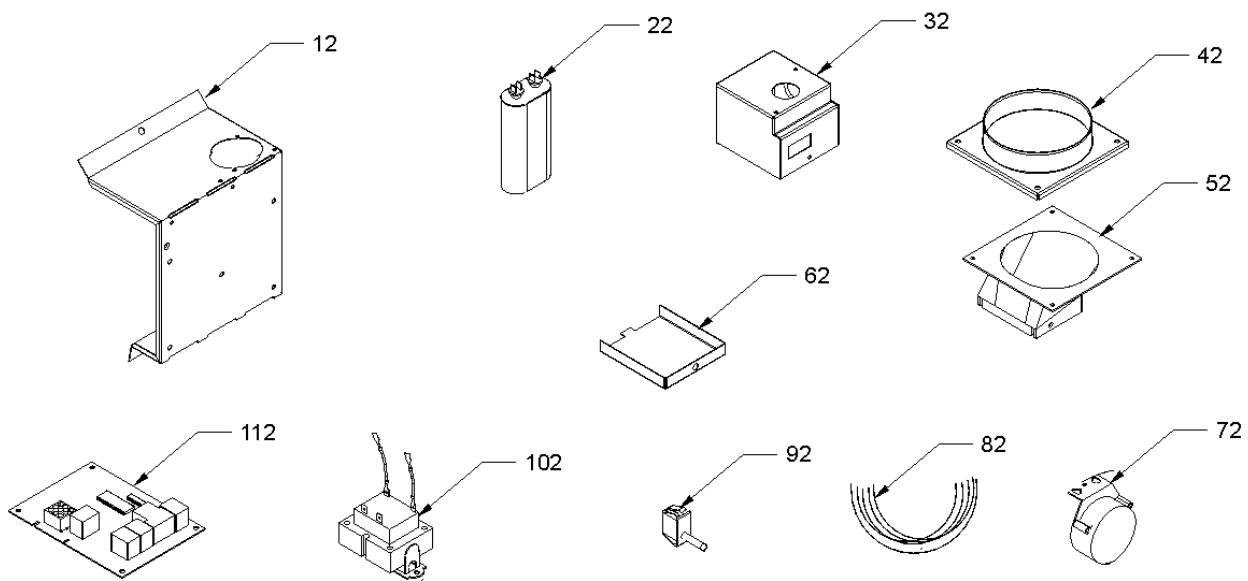


Image 2



Blower Assy/Miscellaneous

Ref Part No:	Description:	Ref. Part No:	Description:
<i>Image 1:</i>		Expanded Model Nomenclature	
11	2539307S BLOWER HOUSING ASSY 10 X 10 (M4, M13, M14)	M1 - GDT045-3A	
11	2539305S BLOWER HOUSING ASSY 10 X 6 (M1, M2, M5, M8, M9)	M2 - GDT070-3A	
11	2539306S BLOWER HOUSING ASSY 10 X 8 (M3, M6, M10, M11, M12)	M3 - GDT090-4A	
11	2539302S BLOWER HOUSING ASSY 11 X 10 (M7, M15)	M4 - GDT115-5A	
21	B1370155 AUXILIARY LIMIT SWITCH 120°F (M1, M2, M3, M4)	M5 - GMTH045-3A	
31	B1340020S BLOWER MOTOR 1/2 HP, DIRECT DRIVE (M3, M4, M5, M10, M12, M13, M14)	M6 - GMTH070-4A	
31	B1340025S BLOWER MOTOR 1/3 HP, 4 SP, 6 PL (M1, M2)	M7 - GMTH090-5A	
31	B1340021S BLOWER MOTOR 1/3 HP, DIRECT DRIVE (M8, M9, M11)	M8 - GMT045-3A	
31	B1340023S BLOWER MOTOR 3/4 HP, DIRECT DRIVE (M6, M7, M15)	M9 - GMT070-3A	
41	0121M00038 MOTOR MOUNT BAND (M7, M15)	M10 - GMT070-4A	
41	0121M00039 MOTOR MOUNT BAND (HEAVY DUTY) (M6)	M11 - GMT090-3A	
51	B1376863 MOTOR MOUNT ARM (HEAVY DUTY) (M6)	M12 - GMT090-4A	
61	B1368047A BLOWER WHEEL 10 X 10 (M4, M13, M14)	M13 - GMT090-5A	
61	B1368034S BLOWER WHEEL 10 X 6 (M1, M2, M5, M8, M9)	M14 - GMT115-5A	
61	B1368016S BLOWER WHEEL 10 X 8 (M3, M6, M10, M11, M12)	M15 - GMT140-5A	
61	B1368000S BLOWER WHEEL 11 X 10 (M7, M15)		
NS	1284835 CAPACITOR STRAP (M1, M2, M3, M4)		
<i>Image 2:</i>			
12	1815817 CONTROL PANEL MOUNT (M5, M6, M7, M8, M9, M10, M11, M12, M13, M14, M15)		
22	CAP100000370VAS CAPACITOR 10/370V (M3, M4, M5, M10, M12, M13, M14)		
22	CAP125000370RPS CAPACITOR 12.5/370V (M1, M2, M6, M7, M8, M9, M11, M15)		
32	4014500 J-BOX		
42	4023500 CHIMNEY TRANSITION TOP		
52	B2523504 CHIMNEY BOTTOM		
62	4015500 J-BOX COVER		
72	B1370142 AIR PRESSURE SWITCH (M1, M5, M6, M8, M9, M10, M11, M12)		
72	B1370150 AIR PRESSURE SWITCH (M4)		
72	B1370158 AIR PRESSURE SWITCH (M7, M13, M14)		
72	B1370176 AIR PRESSURE SWITCH (M2)		
72	B1370179 AIR PRESSURE SWITCH (M3, M15)		
82	4078401S WIRE HARNESS KIT, GDT (M1, M2, M3, M4)		
82	4078400S WIRE HARNESS KIT, GMT & GMTH (M5, M6, M7, M8, M9, M10, M11, M12, M13, M14, M15)		
92	B1370819 DOOR SWITCH (M1, M2, M3, M4)		
92	B1370820 DOOR SWITCH (M5, M6, M7, M8, M9, M10, M11, M12, M13, M14, M15)		
102	B1141605 TRANSFORMER 120V TO 24V, 40 VA		
112	B1809913S HSI BOARD W/9-PIN CONNECTOR		