



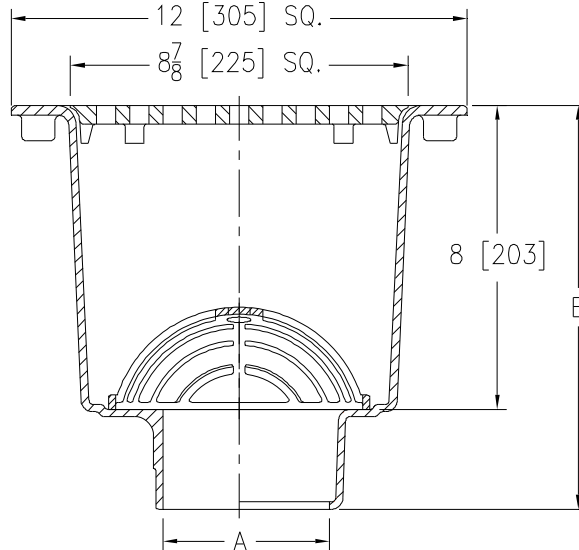
Z1901

12 X 12 [305 X 305] A.R.E. SANI-FLOR RECEPTOR 8
[203] SUMP DEPTH

SPECIFICATION SHEET

TAG _____

Dimensional Data (inches and [mm]) are Subject to Manufacturing Tolerances and Change Without Notice



A- Pipe Size In. [mm]	Approx Wt. Lbs. [kg]	Grate Open Area in ² [cm ²]
2, 3, 4 [51, 76, 102]	34 [15]	31 [200]

ENGINEERING SPECIFICATION: ZURN Z1901

Sani-Flor Receptor 12" x 12" x 8" [305mm x 305mm x 203mm] deep cast iron body and square, light-duty grate with 1/2" [13mm] slotted openings, white acid resisting porcelain enamel interior and top, complete with white ABS anti-splash interior bottom dome strainer.

OPTIONS (Check/specify appropriate options)

PIPE SIZE

- 3, 4 [76, 102]
- 2, 3, 4 [51, 76, 102]
- 2, 3, 4 [51, 76, 102]

(Specify size/type) OUTLET

- ___ IC Inside Caulk
- ___ NH No-Hub
- ___ NL Neo-Loc

'E' BODY HT. DIMENSION

Z	ZN / ZS
10-5/8 [270]	11-1/8 [283]
10-5/8 [270]	11-1/8 [283]
10 [254]	10-1/2 [267]

PREFIXES

- ___ Z Cast Iron Body with White A.R.E. Interior*
- ___ ZN Cast Iron Body with White A.R.E. Interior, 12-1/2 [317] Square N.B. Frame and Full Grate with 1/2 [13] Square Openings (Add 1/2 [13] to 12 [305] Dim.)
- ___ ZS Cast Iron Body with White A.R.E. Interior, 12-1/2 [317] Square Stainless Steel Frame and Full Grate with 1/2 [13] Square Openings (Add 1/2 [13] to 12 [305] Dim.)

SUFFIXES

- | | |
|---|--|
| ___ -DX Dex-O-Tex Flange (ZN Only) | ___ -4 Full Grate w/ Center Opening (2 [51] Dia. for Z) and (3-1/32 [77] Square for ZN & ZS) |
| ___ -HD Stainless Steel Frame w/ Extra-Heavy Duty Stainless Steel Grate (ZS Only) | ___ -6 Grate w/ 6 [152] Dia. x 6 [152] High Funnel |
| ___ -HP Heel-Proof Grate (ZN Only) | ___ -7 Grate w/ 6-3/4 x 3 x 1 [171 x 76 x 25] High Oval Funnel |
| ___ -K Anchor Flange | ___ -8 Grate w/ 8-7/8 x 3-5/8 x 3-3/4 [225 x 92 x 95] High Oval Funnel |
| ___ -KC Anchor Flange with Seepage Holes and Clamp Collar | ___ -11 Vandal-Proof Secured Top (ZN & ZS Only) |
| ___ -LD (Less) Bottom Dome Strainer | ___ -15 Solid Loose Set Cover (Z & ZN Only) |
| ___ -P 1/2 [13] Trap Primer Connection (See Z1023) | ___ -19 Full Hinged Grate (ZN Only) |
| ___ -TC Neo-Loc Test Cap Gasket (2, 3, 4 [51, 76, 102] NL Bottom Outlet Only) | ___ -23 Aluminum Bucket |
| ___ -VPS Vandal-Proof Strainer | ___ -25 White A.R.C. Bucket |
| ___ -1 (Less) Grate | ___ -31 Stainless Steel Mesh Liner for Bucket |
| ___ -2 1/2 Grate | ___ -32 Aluminum Dome Strainer |
| ___ -3 3/4 Grate | ___ -33 White A.R.C. Anti-Splash Bottom Dome Strainer |

* Regularly furnished unless otherwise specified.

Zurn Industries, LLC | Specification Drainage Operation
1801 Pittsburgh Avenue, Erie, PA U.S.A. 16502 · Ph. 855-663-9876, Fax 814-454-7929
In Canada | Zurn Industries Limited
3544 Nashua Drive, Mississauga, Ontario L4V 1L2 · Ph. 905-405-8272, Fax 905-405-1292
www.zurn.com

Rev. M
Date: 09/28/2017
C.N. No. 138075
Prod. | Dwg. No. Z1901