

REPAIR PARTS

PGB SERIES ROOFTOP PACKAGE GAS

PGB024050-1
PGB024050-1A
PGB024075-1
PGB024075-1A
PGB030050-1
PGB030050-1A
PGB030050-1B
PGB030075-1
PGB030075-1A
PGB030075-1B
PGB030100-1
PGB030100-1A
PGB030100-1B
PGB036050-1
PGB036050-1A
PGB036050-1B
PGB036075-1
PGB036075-1A
PGB036075-1B
PGB036075-3
PGB036075-3A
PGB036075-3B
PGB036075-3C
PGB036100-1
PGB036100-1A
PGB036100-1B



Goodman Manufacturing Company, L.P.
5151 San Felipe, Suite 500
Houston, TX 77056

www.goodmanmfg.com www.amana-hac.com

RP-240H
November 2007

Important Information

Index

Functional Parts List	3
Illustration and Parts	6 - 13

Views shown are for parts illustrations only, not servicing procedures

Rev. H: Corrected heat exchanger part number for PGB036100-1, PGB036100-1A, and PGB036100-1B.

Text Codes:

AR - As Required

NA - Not Available

NS - Not Shown

00000000 - See Note

QTY - Quantity Example (QTY 3) (If Quantity not shown, Quantity = 1)

M - Model Example (M1) (If M Code not shown, then part is used on all Models)

Expanded Model Nomenclature:

Example M1 - Model#1 M2 - Model#2 M3 - Model#3

Goodman Manufacturing Company, L.P. is not responsible for personal injury or property damage resulting from improper service. Review all service information before beginning repairs.

Warranty service must be performed by an authorized technician, using authorized factory parts. If service is required after the warranty expires, Goodman Manufacturing Company, L.P. also recommends contacting an authorized technician and using authorized factory parts.

Goodman Manufacturing Company, L.P. reserves the right to discontinue, or change at any time, specifications or designs without notice or without incurring obligations.

For assistance within the U.S.A. contact:
Consumer Affairs Department
Goodman Manufacturing Company, L.P.
7401 Security Way
Houston, Texas 77040
877-254-4729-Telephone
713-863-2382-Facsimile

For assistance outside the U.S.A. contact:
International Division
Goodman Manufacturing Company, L.P.
7401 Security Way
Houston, Texas 77040
713-861-2500-Telephone
713-863-2382-Facsimile

Functional Parts

Part No:	Description:		
1262501	ASSY, COND COIL MED (M11, M12, M13, M24, M25, M26)	B1314465	FLOWRATOR W/COPPER STUB (M1, M3, M7, M10, M11, M12, M13)
1262500	ASSY, COND COIL SML (M1, M2, M3, M4, M5, M6, M7, M8, M9, M10, M14, M17, M20)	B1314471	FLOWRATOR W/COPPER STUB (M14, M15, M17, M18, M20, M21, M22, M24, M25)
1262503	ASSY, COND COIL SML (M15, M16, M18, M19, M21, M22, M23)	B2526000	GAS MANIFOLD 2 CELL (M1, M2, M5, M6, M7, M14, M15, M16)
2956523	ASSY, EVAP COIL (M16, M19, M23)	B2526001	GAS MANIFOLD 3 CELL (M3, M4, M8, M9, M10, M17, M18, M19, M20, M21, M22, M23)
1262600	ASSY, EVAP COIL (M1, M2, M3, M4, M5, M6, M8, M9)	B2526002	GAS MANIFOLD 4 CELL (M11, M12, M13, M24, M25, M26)
1262602	ASSY, EVAP COIL (M11, M12, M13, M24, M25, M26)	B2589343	GAS ORIFICE #43 (QTY AR)
1262603	ASSY, EVAP COIL (M14, M15, M17, M18, M20, M21, M22)	B1282628	GAS VALVE, H.S.I. (WHITE RODGERS)
2956522	ASSY, EVAP COIL (M7, M10)	PCBAF123S	IGNITION BOARD, DSI INTEGRATED
B1370113	AUXILLARY LIMIT 120°F	B4022700	INSHOT BURNER ASSY 3" (QTY AR)
CAP050300370RSS	CAPACITOR 5/30/370V (CONTROL BOX) (M1, M2, M3, M4)	1370901S	LIMIT SWITCH 180°F, 3" LEG, 1/2 ENCL (M3, M4, M11, M12, M13, M17, M18, M19, M20, M21, M22, M23, M24, M25, M26)
CAP050350370RSS	CAPACITOR 5/35/370V (CONTROL BOX) (M5, M6, M7, M8, M9, M10, M11, M12, M13)	1370902S	LIMIT SWITCH 210°F, 3" LEG, 1/2 ENCL (M1, M2, M5, M6, M7, M14, M15, M16)
CAP050000370VA	CAPACITOR 5/370V (BLOWER) (M1, M2, M3, M4, M20, M21, M22, M23)	1370911S	LIMIT SWITCH 220°F, 3" LEG, 1/2 ENCL (M8, M9, M10)
CAP050450370RSS	CAPACITOR 5/45/370V (CONTROL BOX) (M14, M15, M17, M18, M24, M25)	0131M00007PS	MOTOR, COND 1/4 HP, 1.8 FLA, 230V, 1 SP (M16, M19, M23, M24, M25, M26)
CAP050500370RTS	CAPACITOR 5/50/370V (CONTROL BOX) (M16, M19, M26)	B13400251S	MOTOR, COND 1/6 HP, 1.3 FLA, 230V, 1 SP (M1, M2, M3, M4, M5, M6, M7, M8, M9, M10, M11, M12, M13, M14, M15, M17, M18, M20, M21, M22)
CAP075000370VAS	CAPACITOR 7.5/370V (BLOWER) (M5, M6, M7, M8, M9, M10, M11, M12, M13, M14, M15, M16, M17, M18, M19, M20, M21, M22, M23, M24, M25, M26)	11091205S	MOTOR, EVAP 1/3 HP, 2 BOLT CIRCLE F (M5, M6, M7, M8, M9, M10, M11, M12, M13, M14, M15, M16, M17, M18, M19, M20, M21, M22, M23, M24, M25, M26)
CR22K6PFV960	COMPRESSOR 21800, 208/230/60/1 (M1, M2, M3, M4)	B13400313S	MOTOR, EVAP 1/5 HP, 1.25 FLA (M1, M2, M3, M4)
CR30K6PFV960	COMPRESSOR 28200, 208/230/60/1 (M5, M6, M7, M8, M9, M10, M11, M12, M13)	2968400	PLUG ASSY, FEMALE (M1, M2, M3, M4, M5, M6, M7, M8, M9, M10, M11, M12, M13, M14, M15, M16, M17, M18, M19, M21, M22, M23, M24, M25, M26)
CR35K6PFV960	COMPRESSOR 34500, 208/230/60/1 (M14, M15, M16, M17, M18, M19, M24, M25, M26)	2968411	PLUG ASSY, MALE 12-PIN
CR35K6TF5960	COMPRESSOR 34900, 208/230/60/3 (M21, M23)	B1370154	ROLLOUT SWITCH, 350°F W/O BRACKET
B9266200	COMPRESSOR H23A353DBLA (703141-1501-00) (M22)	B1212917	SINGLE-FLOW FILTER DRIER, STEEL (M24)
B9266609A	COMPRESSOR H25B35QDBLA (706902-1501-00) (M20)	B1219212	SINGLE-FLOW FILTER DRIER, STEEL (M1, M2, M3, M4, M5, M6, M7, M8, M9, M10, M11, M12, M13, M14, M15, M16, M17, M18, M19, M20, M21, M22, M23, M25, M26)
CONT1P025024VS	CONTACTOR 25 AMP, 1P, 277V, 125 LRA (M1, M2, M3, M4, M5, M6, M7, M8, M9, M10, M11, M12, M13, M14, M15, M16, M17, M18, M19, M24, M25, M26)	2921300S	SUB ASSY, HEAT EXCHANGER 2 CELL (M1, M2, M5, M6, M7, M14, M15, M16)
CONT3P025024V	CONTACTOR 25 AMP, 3P, 24V (M20, M21, M22, M23)	2921301S	SUB ASSY, HEAT EXCHANGER 3 CELL (M3, M4, M8, M9, M10, M17, M18, M19, M20, M21, M22, M23)
B1401012	DIRECT SPARK IGNITOR	2921304S	SUB ASSY, HEAT EXCHANGER 4 CELL (M11, M12, M13, M24, M25, M26)
B1172606	FLAME SENSOR	B1141643	TRANSFORMER 208/230, 24V
B1314473	FLOWRATOR (M16, M19, M23, M26)	B1787000	VALVE CORE (M1, M2, M3, M4, M5, M6, M7, M8, M9, M10, M11, M12, M13, M14, M15, M16, M17, M18, M19, M20, M21, M22, M23, M25, M26)
B1314468	FLOWRATOR W/COPPER STUB (M5, M6, M8, M9)	B2959000S	VENT MOTOR
B1314461	FLOWRATOR W/COPPER STUB (M2, M4)		

Functional Parts

Part

No: Description:

SPECIAL PARTS

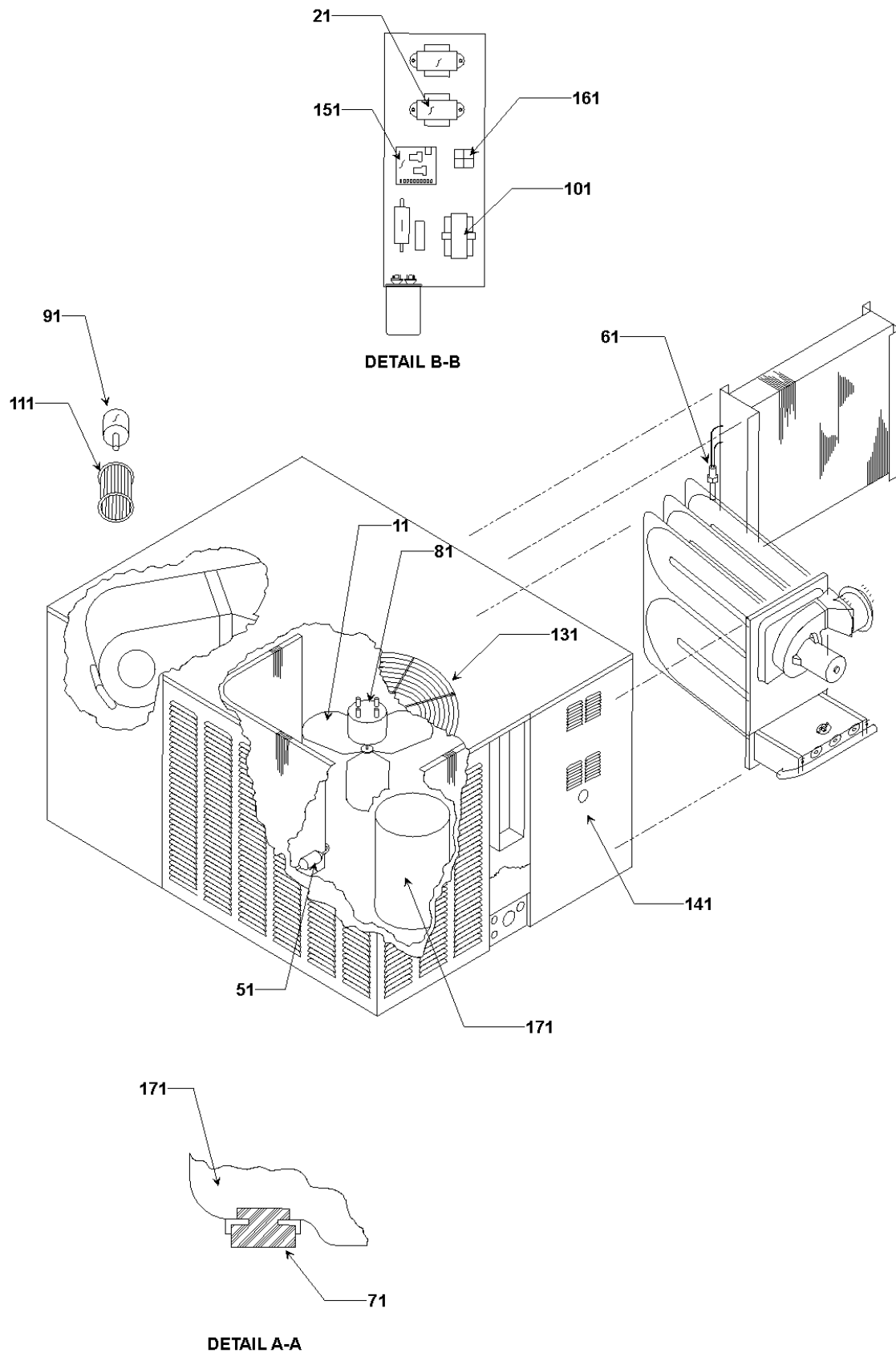
IO-148C	INSTALLATION INSTRUCTIONS
IO-149	INSTRUCTIONS, WIND SHIELD
IO-605	LIGHTING INSTRUCTIONS, W/36G
RP-240H	REPAIR PARTS LIST
IO-604	SPECIAL INSTRUCTIONS, 36G VALVE
TP-105	TECHNICAL PUBLICATION
HI-113	USERS MANUAL

Expanded Model Nomenclature

M1 - PGB024050-1
M2 - PGB024050-1A
M3 - PGB024075-1
M4 - PGB024075-1A
M5 - PGB030050-1
M6 - PGB030050-1A
M7 - PGB030050-1B
M8 - PGB030075-1
M9 - PGB030075-1A
M10 - PGB030075-1B
M11 - PGB030100-1
M12 - PGB030100-1A
M13 - PGB030100-1B
M14 - PGB036050-1
M15 - PGB036050-1A
M16 - PGB036050-1B
M17 - PGB036075-1
M18 - PGB036075-1A
M19 - PGB036075-1B
M20 - PGB036075-3
M21 - PGB036075-3A
M22 - PGB036075-3B
M23 - PGB036075-3C
M24 - PGB036100-1
M25 - PGB036100-1A
M26 - PGB036100-1B

THIS PAGE INTENTIONALLY LEFT BLANK

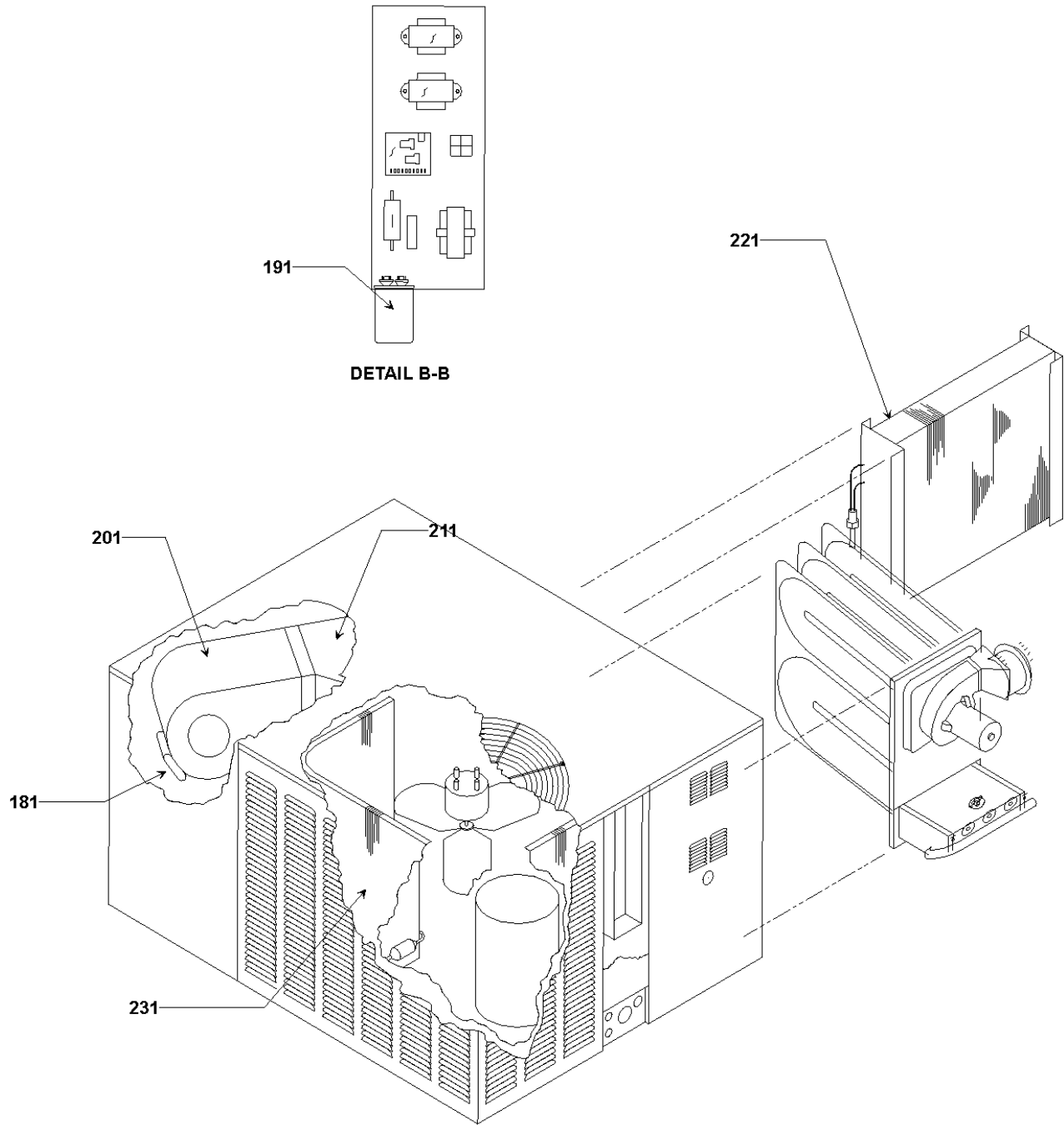
Motor, Coil and Control



Motor, Coil and Control

Ref Part No:	Description:	Ref. Part No:	Description:
<i>Image 1:</i>		171 B9266200	COMPRESSOR H23A353DBLA (703141-1501-00) (M22)
11 B1086757	FAN BLADE 18", 32°P (M16, M19, M23)	171 B9266609A	COMPRESSOR H25B35QDBLA (706902-1501-00) (M20)
11 B1086756S	FAN BLADE 18" (M1, M2, M3, M4, M5, M6, M7, M8, M9, M10, M11, M12, M13, M14, M15, M17, M18, M20, M21, M22)	NS B1370113	AUXILLARY LIMIT 120°F
11 B1086749	FAN BLADE 20", 3 BLADE, 30°P (M24, M25, M26)	NS 764739	BLOWER BLOCK-OFF 10 X 6 (M8, M9, M10, M11, M12, M13, M14, M17, M20, M24, M25, M26)
21 B1141643	TRANSFORMER 208/230, 24V	NS 764733	BLOWER CUT-OFF (M1, M2, M3, M4)
51 B1212917	SINGLE-FLOW FILTER DRIER, STEEL (M24)	NS 764737	BLOWER CUT-OFF (M5, M6, M7, M15, M16, M18, M19, M21, M22, M23)
51 B1219212	SINGLE-FLOW FILTER DRIER, STEEL (M1, M2, M3, M4, M5, M6, M7, M8, M9, M10, M11, M12, M13, M14, M15, M16, M17, M18, M19, M20, M21, M22, M23, M25, M26)	NS 1284835	CAPACITOR STRAP
61 B1314473	FLOWRATOR (M16, M19, M23, M26)	NS B1393701	COMPRESSOR BOLT & SLEEVE ASSY (QTY 4)
61 B1314461	FLOWRATOR W/COPPER STUB (M2, M4)	NS 2968400	PLUG ASSY, FEMALE (M1, M2, M3, M4, M5, M6, M7, M8, M9, M10, M11, M12, M13, M14, M15, M16, M17, M18, M19, M21, M22, M23, M24, M25, M26)
61 B1314465	FLOWRATOR W/COPPER STUB (M1, M3, M7, M10, M11, M12, M13)	Expanded Model Nomenclature	
61 B1314468	FLOWRATOR W/COPPER STUB (M5, M6, M8, M9)	M1 - PGB024050-1 M2 - PGB024050-1A M3 - PGB024075-1 M4 - PGB024075-1A M5 - PGB030050-1 M6 - PGB030050-1A M7 - PGB030050-1B M8 - PGB030075-1 M9 - PGB030075-1A M10 - PGB030075-1B M11 - PGB030100-1 M12 - PGB030100-1A M13 - PGB030100-1B M14 - PGB036050-1 M15 - PGB036050-1A M16 - PGB036050-1B M17 - PGB036075-1 M18 - PGB036075-1A M19 - PGB036075-1B M20 - PGB036075-3 M21 - PGB036075-3A M22 - PGB036075-3B M23 - PGB036075-3C M24 - PGB036100-1 M25 - PGB036100-1A M26 - PGB036100-1B	
61 B1314471	FLOWRATOR W/COPPER STUB (M14, M15, M17, M18, M20, M21, M22, M24, M25)		
71 B1339530	COMPRESSOR GROMMET (QTY 4)		
81 0131M00007PS	MOTOR, COND 1/4 HP, 1.8 FLA, 230V, 1 SP (M16, M19, M23, M24, M25, M26)		
81 B13400251S	MOTOR, COND 1/6 HP, 1.3 FLA, 230V, 1 SP (M1, M2, M3, M4, M5, M6, M7, M8, M9, M10, M11, M12, M13, M14, M15, M17, M18, M20, M21, M22)		
91 11091205S	MOTOR, EVAP 1/3 HP, 2 BOLT CIRCLE F (M5, M6, M7, M8, M9, M10, M11, M12, M13, M14, M15, M16, M17, M18, M19, M20, M21, M22, M23, M24, M25, M26)		
91 B13400313S	MOTOR, EVAP 1/5 HP, 1.25 FLA (M1, M2, M3, M4)		
101 CONT1P025024VS	CONTACTOR 25 AMP, 1P, 277V, 125 LRA (M1, M2, M3, M4, M5, M6, M7, M8, M9, M10, M11, M12, M13, M14, M15, M16, M17, M18, M19, M24, M25, M26)		
101 CONT3P025024V	CONTACTOR 25 AMP, 3P, 24V (M20, M21, M22, M23)		
111 B1368034S	BLOWER WHEEL 10 X 6 (M11, M12, M13, M14, M15, M16, M17, M18, M19, M20, M21, M22, M23, M24, M25, M26)		
111 B1368042S	BLOWER WHEEL 9 X 6 (M1, M2, M3, M4, M5, M6, M7, M8, M9, M10)		
131 B1376915	FAN GRILLE GUARD 18" (M1, M2, M3, M4, M5, M6, M7, M8, M9, M10, M14, M15, M16, M17, M18, M19, M20, M21, M22, M23)		
131 B1376914	FAN GRILLE GUARD 20" (M11, M12, M13, M24, M25, M26)		
141 B1392136	VIEW PORT BUSHING 2"		
151 PCBAF123S	IGNITION BOARD, DSI INTEGRATED		
161 2968411	PLUG ASSY, MALE 12-PIN		
171 CR22K6PFV960	COMPRESSOR 21800, 208/230/60/1 (M1, M2, M3, M4)		
171 CR30K6PFV960	COMPRESSOR 28200, 208/230/60/1 (M5, M6, M7, M8, M9, M10, M11, M12, M13)		
171 CR35K6PFV960	COMPRESSOR 34500, 208/230/60/1 (M14, M15, M16, M17, M18, M19, M24, M25, M26)		
171 CR35K6TF5960	COMPRESSOR 34900, 208/230/60/3 (M21, M23)		

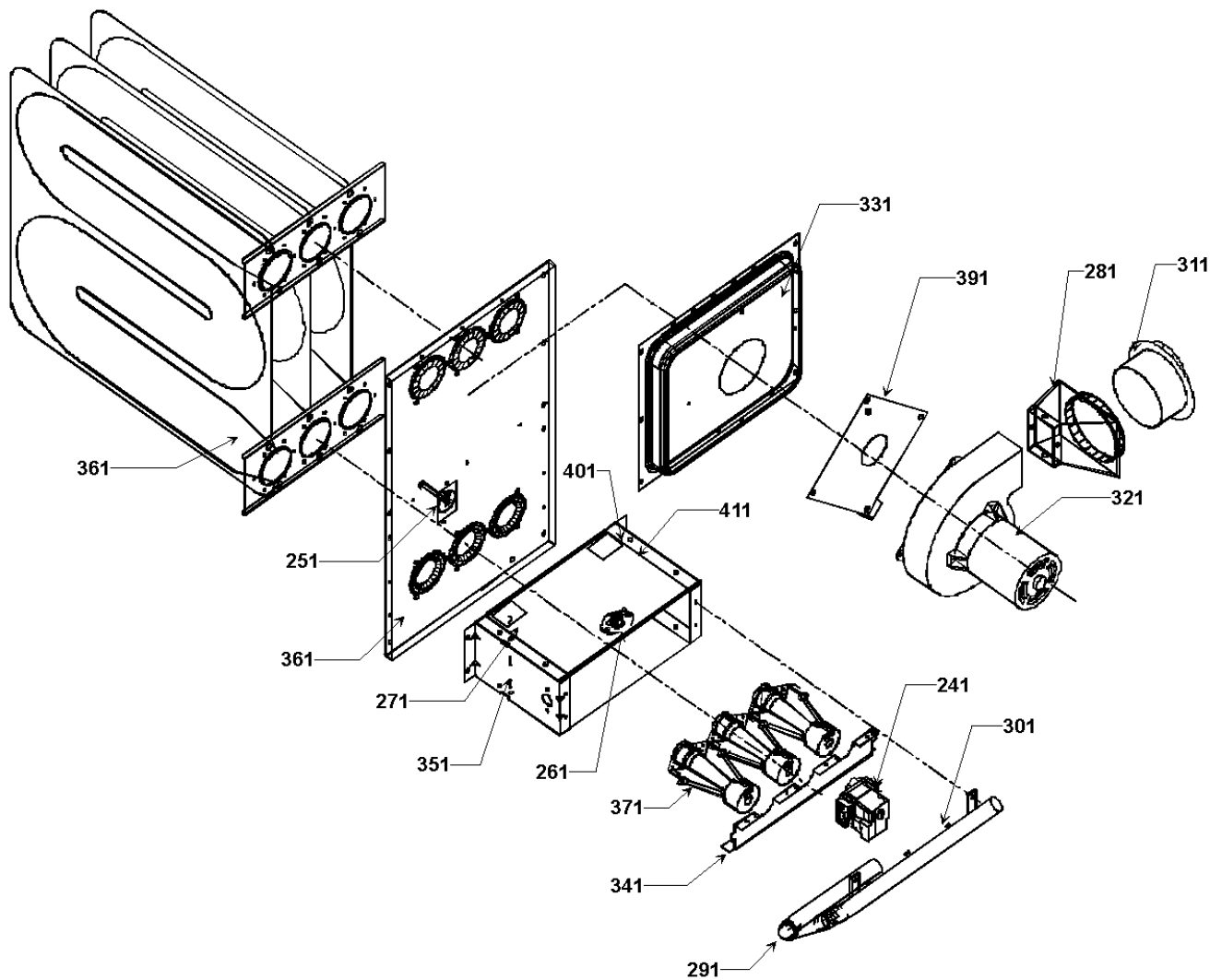
Motor, Coil and Control



Motor, Coil and Control

Ref Part No:	Description:	Ref. Part No:	Description:
<i>Image 1:</i>		Expanded Model Nomenclature	
181	CAP050000370VA CAPACITOR 5/370V (BLOWER) (M1, M2, M3, M4, M20, M21, M22, M23)	M1 - PGB024050-1	
181	CAP075000370VAS CAPACITOR 7.5/370V (BLOWER) (M5, M6, M7, M8, M9, M10, M11, M12, M13, M14, M15, M16, M17, M18, M19, M20, M21, M22, M23, M24, M25, M26)	M2 - PGB024050-1A	
191	CAP050300370RSSCAPACITOR 5/30/370V (CONTROL BOX) (M1, M2, M3, M4)	M3 - PGB024075-1	
191	CAP050350370RSSCAPACITOR 5/35/370V (CONTROL BOX) (M5, M6, M7, M8, M9, M10, M11, M12, M13)	M4 - PGB024075-1A	
191	CAP050450370RSSCAPACITOR 5/45/370V (CONTROL BOX) (M14, M15, M17, M18, M24, M25)	M5 - PGB030050-1	
191	CAP050500370RTSCAPACITOR 5/50/370V (CONTROL BOX) (M16, M19, M26)	M6 - PGB030050-1A	
201	2539300S ASSY, BLOWER SHELL 10 X 6 (M5, M6, M7, M15, M16, M18, M19, M21, M22, M23)	M7 - PGB030050-1B	
201	2939302 ASSY, BLOWER SHELL 10 X 6 (M8, M9, M10, M11, M12, M13, M14, M17, M20, M25, M26)	M8 - PGB030075-1	
201	2968203S ASSY, BLOWER SHELL 10 X 6 (M24)	M9 - PGB030075-1A	
201	2939300S ASSY, BLOWER SHELL 9 X 6 (M1, M2, M3, M4)	M10 - PGB030075-1B	
211	2912307S CHUTE ASSY, BLOWER MED 4 CELL (M11, M12, M13, M24, M25, M26)	M11 - PGB030100-1	
211	2902305S CHUTE ASSY, BLOWER SML 2 CELL (M14, M15, M16)	M12 - PGB030100-1A	
211	2902312 CHUTE ASSY, BLOWER SML 2 CELL (M1, M2, M5, M6, M7)	M13 - PGB030100-1B	
211	2902304S CHUTE ASSY, BLOWER SML 3 CELL (M17, M18, M19, M20, M21, M22, M23)	M14 - PGB036050-1	
211	2902313S CHUTE ASSY, BLOWER SML, 3 CELL (M3, M4, M8, M9, M10)	M15 - PGB036050-1A	
221	1262600 ASSY, EVAP COIL (M1, M2, M3, M4, M5, M6, M8, M9)	M16 - PGB036050-1B	
221	1262602 ASSY, EVAP COIL (M11, M12, M13, M24, M25, M26)	M17 - PGB036075-1	
221	1262603 ASSY, EVAP COIL (M14, M15, M17, M18, M20, M21, M22)	M18 - PGB036075-1A	
221	2956522 ASSY, EVAP COIL (M7, M10)	M19 - PGB036075-1B	
221	2956523 ASSY, EVAP COIL (M16, M19, M23)	M20 - PGB036075-3	
231	1262501 ASSY, COND COIL MED (M11, M12, M13, M24, M25, M26)	M21 - PGB036075-3A	
231	1262500 ASSY, COND COIL SML (M1, M2, M3, M4, M5, M6, M7, M8, M9, M10, M14, M17, M20)	M22 - PGB036075-3B	
231	1262503 ASSY, COND COIL SML (M15, M16, M18, M19, M21, M22, M23)	M23 - PGB036075-3C	
NS	1902802P ASSY, DRAIN PAN SML (M11, M12, M13, M24, M25, M26)	M24 - PGB036100-1	
NS	2902802P ASSY, DRAIN PAN SML (M1, M2, M3, M4, M5, M6, M7, M8, M9, M10, M14, M15, M16, M17, M18, M19, M20, M21, M22, M23)	M25 - PGB036100-1A	
		M26 - PGB036100-1B	

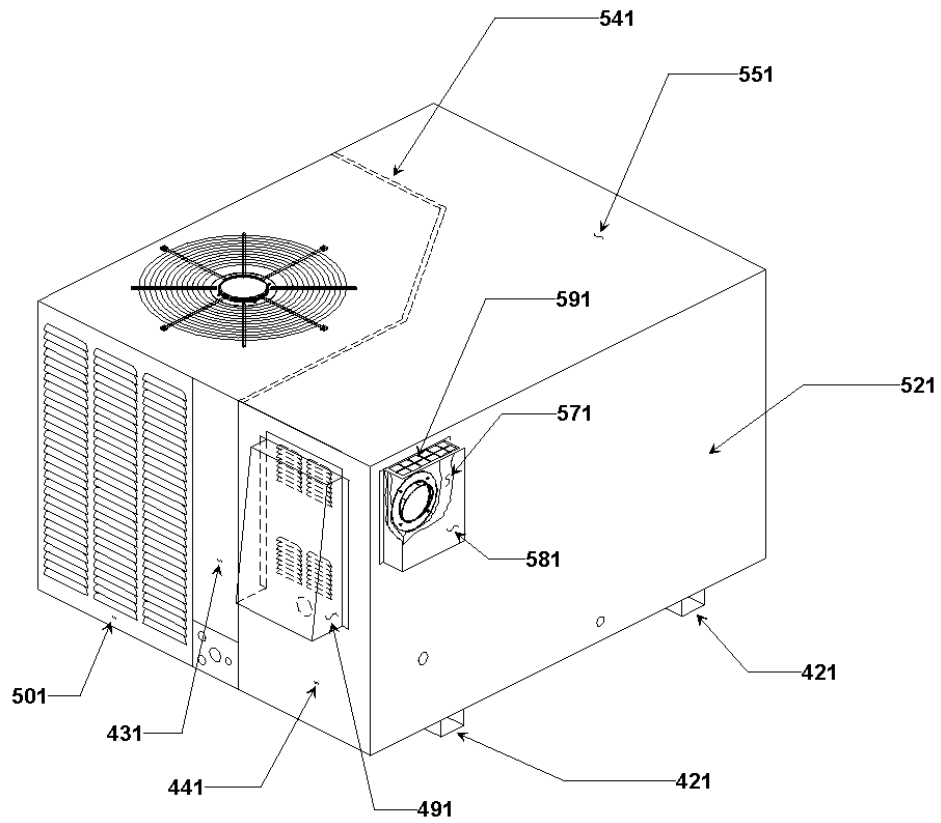
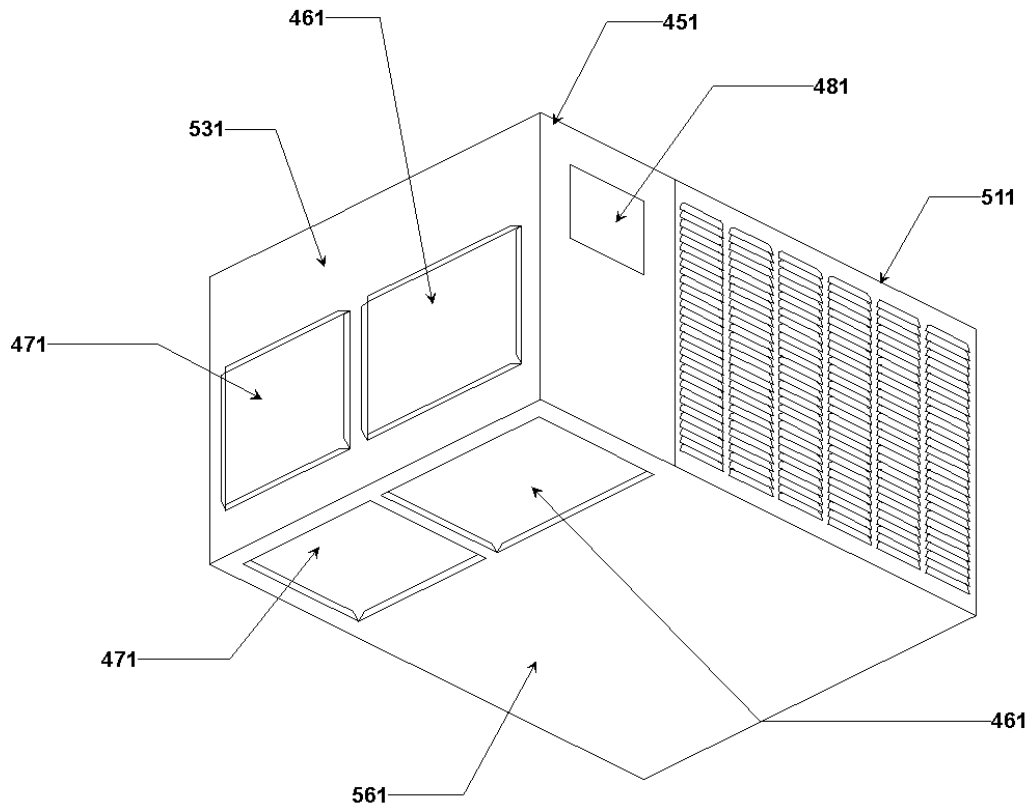
Heat Exchanger, Gas Valve and Manifold



Heat Exchanger, Gas Valve and Manifold

Ref Part No:	Description:	Ref. Part No:	Description:
<i>Image 1:</i>		NS 2901501S	INNER FRONT PANEL 3 CELL SML (M3, M4, M8, M9, M10, M17, M18, M19, M20, M21, M22, M23)
241 B1282628	GAS VALVE, H.S.I. (WHITE RODGERS)	NS 2911501S	INNER FRONT PANEL 4 CELL MED (M11, M12, M13, M24, M25, M26)
251 1370901S	LIMIT SWITCH 180°F, 3" LEG, 1/2 ENCL (M3, M4, M11, M12, M13, M17, M18, M19, M20, M21, M22, M23, M24, M25, M26)	Expanded Model Nomenclature	
251 1370902S	LIMIT SWITCH 210°F, 3" LEG, 1/2 ENCL (M1, M2, M5, M6, M7, M14, M15, M16)	M1 - PGB024050-1	
251 1370911S	LIMIT SWITCH 220°F, 3" LEG, 1/2 ENCL (M8, M9, M10)	M2 - PGB024050-1A	
261 B1370154	ROLLOUT SWITCH, 350°F W/O BRACKET	M3 - PGB024075-1	
271 B1401012	DIRECT SPARK IGNITOR	M4 - PGB024075-1A	
281 4053501S	CHIMNEY	M5 - PGB030050-1	
291 B2526000	GAS MANIFOLD 2 CELL (M1, M2, M5, M6, M7, M14, M15, M16)	M6 - PGB030050-1A	
291 B2526001	GAS MANIFOLD 3 CELL (M3, M4, M8, M9, M10, M17, M18, M19, M20, M21, M22, M23)	M7 - PGB030050-1B	
291 B2526002	GAS MANIFOLD 4 CELL (M11, M12, M13, M24, M25, M26)	M8 - PGB030075-1	
301 B2589343	GAS ORIFICE #43 (QTY AR)	M9 - PGB030075-1A	
311 B2913600	CHIMNEY EXTENSION SML & MED	M10 - PGB030075-1B	
321 B2959000S	VENT MOTOR	M11 - PGB030100-1	
331 2510000S	FLUE COLLECTOR BOX 14" (M1, M2, M3, M4, M5, M6, M7, M8, M9, M10, M14, M15, M16, M17, M18, M19, M20, M21, M22, M23)	M12 - PGB030100-1A	
331 2510001S	FLUE COLLECTOR BOX 17.5" (M11, M12, M13, M24, M25, M26)	M13 - PGB030100-1B	
341 2513500	BURNER RACK 2 CELL (M1, M2, M5, M6, M7, M14, M15, M16)	M14 - PGB036050-1	
341 2513501	BURNER RACK 3 CELL (M3, M4, M8, M9, M10, M17, M18, M19, M20, M21, M22, M23)	M15 - PGB036050-1A	
341 2513502	BURNER RACK 4 CELL (M11, M12, M13, M24, M25, M26)	M16 - PGB036050-1B	
351 2514000	SIDE PLATE, BURNER BOX (QTY 2)	M17 - PGB036075-1	
361 2921300S	SUB ASSY, HEAT EXCHANGER 2 CELL (M1, M2, M5, M6, M7, M14, M15, M16)	M18 - PGB036075-1A	
361 2921301S	SUB ASSY, HEAT EXCHANGER 3 CELL (M3, M4, M8, M9, M10, M17, M18, M19, M20, M21, M22, M23)	M19 - PGB036075-1B	
361 2921304S	SUB ASSY, HEAT EXCHANGER 4 CELL (M11, M12, M13, M24, M25, M26)	M20 - PGB036075-3	
371 B4022700	INSHOT BURNER ASSY 3" (QTY AR)	M21 - PGB036075-3A	
391 2528011	FLUE RESTRICTOR PLATE 1.125 DIA (M1, M2, M5, M6, M7, M14, M15, M16)	M22 - PGB036075-3B	
391 2528009	FLUE RESTRICTOR PLATE 1.375 DIA (M3, M4, M8, M9, M10, M17, M18, M19, M20, M21, M22, M23)	M23 - PGB036075-3C	
391 2528007S	FLUE RESTRICTOR PLATE 1.688 DIA (M11, M12, M13, M24, M25, M26)	M24 - PGB036100-1	
411 4013005	BURNER BOX TOP 2 CELL (M1, M2, M5, M6, M7, M14, M15, M16)	M25 - PGB036100-1A	
411 4013006	BURNER BOX TOP 3 CELL (M3, M4, M8, M9, M10, M17, M18, M19, M20, M21, M22, M23)	M26 - PGB036100-1B	
411 4013007	BURNER BOX TOP 4 CELL (M11, M12, M13, M24, M25, M26)		
NS 2509503	BRACKET, ROLLOUT SWITCH		
NS B1172606	FLAME SENSOR		
NS 2901500S	INNER FRONT PANEL 2 CELL SML (M1, M2, M5, M6, M7, M14, M15, M16)		

Cabinet Assy



Cabinet Assy

Ref Part No:	Description:	Ref. Part No:	Description:
<i>Image 1:</i>		Expanded Model Nomenclature	
421 1900806	CHANNEL ASSY, BASE PAN (M11, M12, M13, M24, M25, M26)	M1 - PGB024050-1	
421 2900806	CHANNEL ASSY, BASE PAN (M1, M2, M3, M4, M5, M6, M7, M8, M9, M10, M14, M15, M16, M17, M18, M19, M20, M21, M22, M23)	M2 - PGB024050-1A	
431 1901700P	CONTROL BOX PANEL	M3 - PGB024075-1	
441 2913300P	GAS ACCESS PANEL MED (M11, M12, M13, M24, M25, M26)	M4 - PGB024075-1A	
441 2903300S	GAS ACCESS PANEL SML (M1, M2, M3, M4, M5, M6, M7, M8, M9, M10, M14, M15, M16, M17, M18, M19, M20, M21, M22, M23)	M5 - PGB030050-1	
451 2912400S	INDOOR FAN PANEL SML & MED	M6 - PGB030050-1A	
461 2903000S	RETURN DUCT BLOCK OFF (M1, M2, M3, M4, M5, M6, M7, M8, M9, M10, M14, M15, M16, M17, M18, M19, M20, M21, M22, M23)	M7 - PGB030050-1B	
461 2913000S	RETURN DUCT BLOCK OFF (M11, M12, M13, M24, M25, M26)	M8 - PGB030075-1	
471 2903001S	SUPPLY DUCT BLOCK OFF (M1, M2, M3, M4, M5, M6, M7, M8, M9, M10, M14, M15, M16, M17, M18, M19, M20, M21, M22, M23)	M9 - PGB030075-1A	
471 2913001S	SUPPLY DUCT BLOCK OFF (M11, M12, M13, M24, M25, M26)	M10 - PGB030075-1B	
481 1903012S	DAMPER BLOCK-OFF	M11 - PGB030100-1	
491 2907002S	WIND SHIELD, FRONT SML & MED	M12 - PGB030100-1A	
501 2913400P	LOUVER PANEL, FRONT MED (M11, M12, M13, M24, M25, M26)	M13 - PGB030100-1B	
501 2903400P	LOUVER PANEL, FRONT SML (M1, M2, M3, M4, M5, M6, M7, M8, M9, M10, M14, M15, M16, M17, M18, M19, M20, M21, M22, M23)	M14 - PGB036050-1	
511 2913500P	LOUVER PANEL, SIDE	M15 - PGB036050-1A	
521 2913800S	REAR PANEL SML & MED	M16 - PGB036050-1B	
531 2913801S	DUCT PANEL MED (M11, M12, M13, M24, M25, M26)	M17 - PGB036075-1	
531 2903801S	DUCT PANEL SML (M1, M2, M3, M4, M5, M6, M7, M8, M9, M10, M14, M15, M16, M17, M18, M19, M20, M21, M22, M23)	M18 - PGB036075-1A	
541 2913900S	PARTITION PANEL MED (M11, M12, M13, M24, M25, M26)	M19 - PGB036075-1B	
541 2903900S	PARTITION PANEL SML (M1, M2, M3, M4, M5, M6, M7, M8, M9, M10, M14, M15, M16, M17, M18, M19, M20, M21, M22, M23)	M20 - PGB036075-3	
551 2914200S	TOP PANEL MED (M11, M12, M13, M24, M25, M26)	M21 - PGB036075-3A	
551 2904200S	TOP PANEL SML (M1, M2, M3, M4, M5, M6, M7, M8, M9, M10, M14, M15, M16, M17, M18, M19, M20, M21, M22, M23)	M22 - PGB036075-3B	
561 2914500S	BASE PAN MED (M11, M12, M13, M24, M25, M26)	M23 - PGB036075-3C	
561 2904500S	BASE PAN SML (M1, M2, M3, M4, M5, M6, M7, M8, M9, M10, M14, M15, M16, M17, M18, M19, M20, M21, M22, M23)	M24 - PGB036100-1	
571 2937000	SIDE SHIELD, INTERNAL	M25 - PGB036100-1A	
581 2937001P	SIDE SHIELD, EXTERNAL	M26 - PGB036100-1B	
591 2937002P	WIND SHIELD, EXTERNAL TOP		