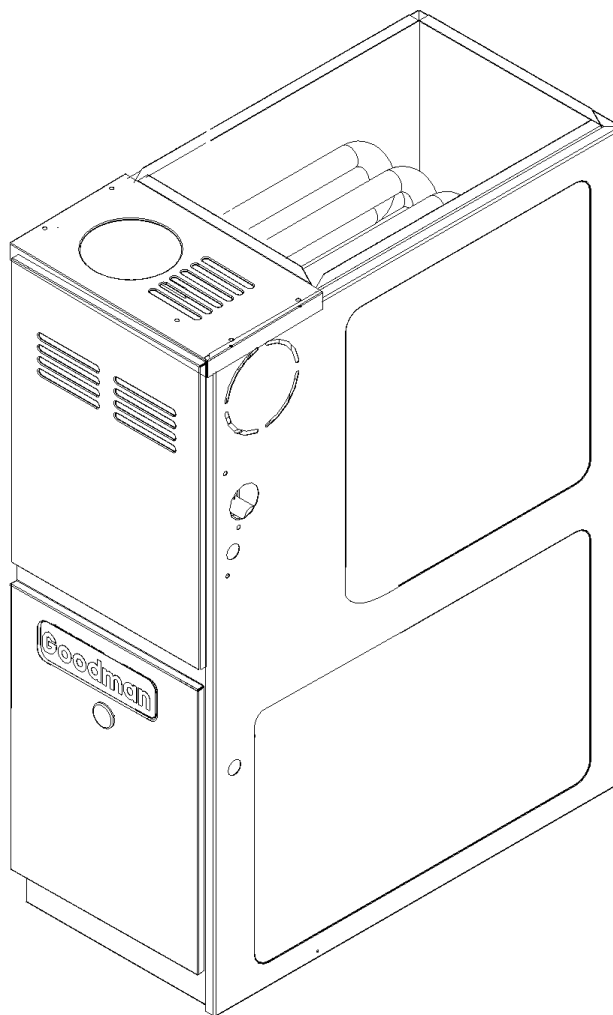




REPAIR PARTS

GME 80% Furnace

- GME80704BXAA
- GME80704BXAB
- GME80704BXAC
- GME80905CXAA
- GME80905CXAB
- GME80905CXAC
- GME81155CXAA
- GME81155CXAB
- GME81155CXAC



Goodman Manufacturing Company, L.P.
5151 San Felipe, Suite 500
Houston, TX 77056

www.goodmanmfg.com

RP-428B
August 2007

Important Information

Index

Functional Parts List	3
Illustration and Parts	4 - 13

Views shown are for parts illustrations only, not servicing procedures

Rev. B: Added "AC" models.

Text Codes:

AR - As Required

NA - Not Available

NS - Not Shown

00000000 - See Note

QTY - Quantity Example (QTY 3) (If Quantity not shown, Quantity = 1)

M - Model Example (M1) (If M Code not shown, then part is used on all Models)

Expanded Model Nomenclature:

Example M1 - Model#1 M2 - Model#2 M3 - Model#3

Goodman Manufacturing Company, L.P. is not responsible for personal injury or property damage resulting from improper service. Review all service information before beginning repairs.

Warranty service must be performed by an authorized technician, using authorized factory parts. If service is required after the warranty expires, Goodman Manufacturing Company, L.P. also recommends contacting an authorized technician and using authorized factory parts.

Goodman Manufacturing Company, L.P. reserves the right to discontinue, or change at any time, specifications or designs without notice or without incurring obligations.

For assistance within the U.S.A. contact:
Consumer Affairs Department
Goodman Manufacturing Company, L.P.
7401 Security Way
Houston, Texas 77040
877-254-4729-Telephone
713-863-2382-Facsimile

For assistance outside the U.S.A. contact:
International Division
Goodman Manufacturing Company, L.P.
7401 Security Way
Houston, Texas 77040
713-861-2500-Telephone
713-863-2382-Facsimile

Functional Parts

Part No:

Description:

Part No:	Description:		
B1370155	AUXILIARY LIMIT SWITCH 120°F	0131F00006S	VENT MOTOR, SINGLE STAGE ROUNDNOSE (M2, M5, M8)
0130F00010	FLAME SENSOR	0259F00018	WIRE HARNESS ASSY, 12-PIN HYBRID
B4026006	GAS MANIFOLD 3 CELL (M1, M3)	0259F00020	WIRE HARNESS ASSY, IGNITOR HYBRID
B4026006	GAS MANIFOLD 3 CELL (M2)		
B4026007	GAS MANIFOLD 4 CELL (M5)		
B4026007	GAS MANIFOLD 4 CELL (M4, M6)		
B4026008	GAS MANIFOLD 5 CELL (M7, M9)		
B4026008	GAS MANIFOLD 5 CELL (M8)		
0151F00000P	GAS VALVE (M1, M3, M4, M6, M7, M9)		
0151F00000P	GAS VALVE (M2, M5, M8)		
4021308S	HEAT EXCHANGER SUB-ASSY 3 CELL 17.5" (M1, M3)		
4021308S	HEAT EXCHANGER SUB-ASSY 3 CELL 17.5" (M2)		
4021310S	HEAT EXCHANGER SUB-ASSY 4 CELL 21" (M4, M6)		
4021310S	HEAT EXCHANGER SUB-ASSY 4 CELL 21" (M5)		
4021311S	HEAT EXCHANGER SUB-ASSY 5 CELL 21" (M8)		
4021311S	HEAT EXCHANGER SUB-ASSY 5 CELL 21" (M7, M9)		
0130F00006S	IGNITION BOARD, HSI INTEGRATED, 2 STAGE		
0130F00008S	IGNITOR-SINI 17 SEC		
B1141666	INDUCTOR 5.9 AMPS		
B4022700	INSHOT BURNER ASSY 3" (QTY 3)		
B1370818	INTERLOCK SWITCH		
0131F00014S	MOTOR 115 V 1 HP, X13, PROGRAMMED (M4, M5, M6)		
0131F00015S	MOTOR 115 V 1 HP, X13, PROGRAMMED (M7, M8, M9)		
0131F00013S	MOTOR 115 V 3/4 HP, X13, PROGRAMMED (M1, M2, M3)		
10716003	ORIFICE (M2, M5, M8)		
10716003	ORIFICE (M1, M3, M4, M6, M7, M9)		
B1370142	PRESSURE SWITCH 0.60" WC (M1, M2, M3)		
B1370158	PRESSURE SWITCH -0.70" WC (M4, M5, M6, M7, M8, M9)		
B1370198	PRIMARY LIMIT SWITCH 150°F (M2, M8)		
B1370198	PRIMARY LIMIT SWITCH 150°F (M1, M3, M7, M9)		
B1370199	PRIMARY LIMIT SWITCH 190°F (M5)		
B1370199	PRIMARY LIMIT SWITCH 190°F (M4, M6)		
10135603	RELAY (QTY 3)		
B1370145	ROLLOUT SWITCH, 300 W/O BRACKET (QTY 2)		
B1141605	TRANSFORMER 120V TO 24V, 40VA		
0131M00002S	VENT MOTOR (M1, M3, M4, M6, M7, M9)		

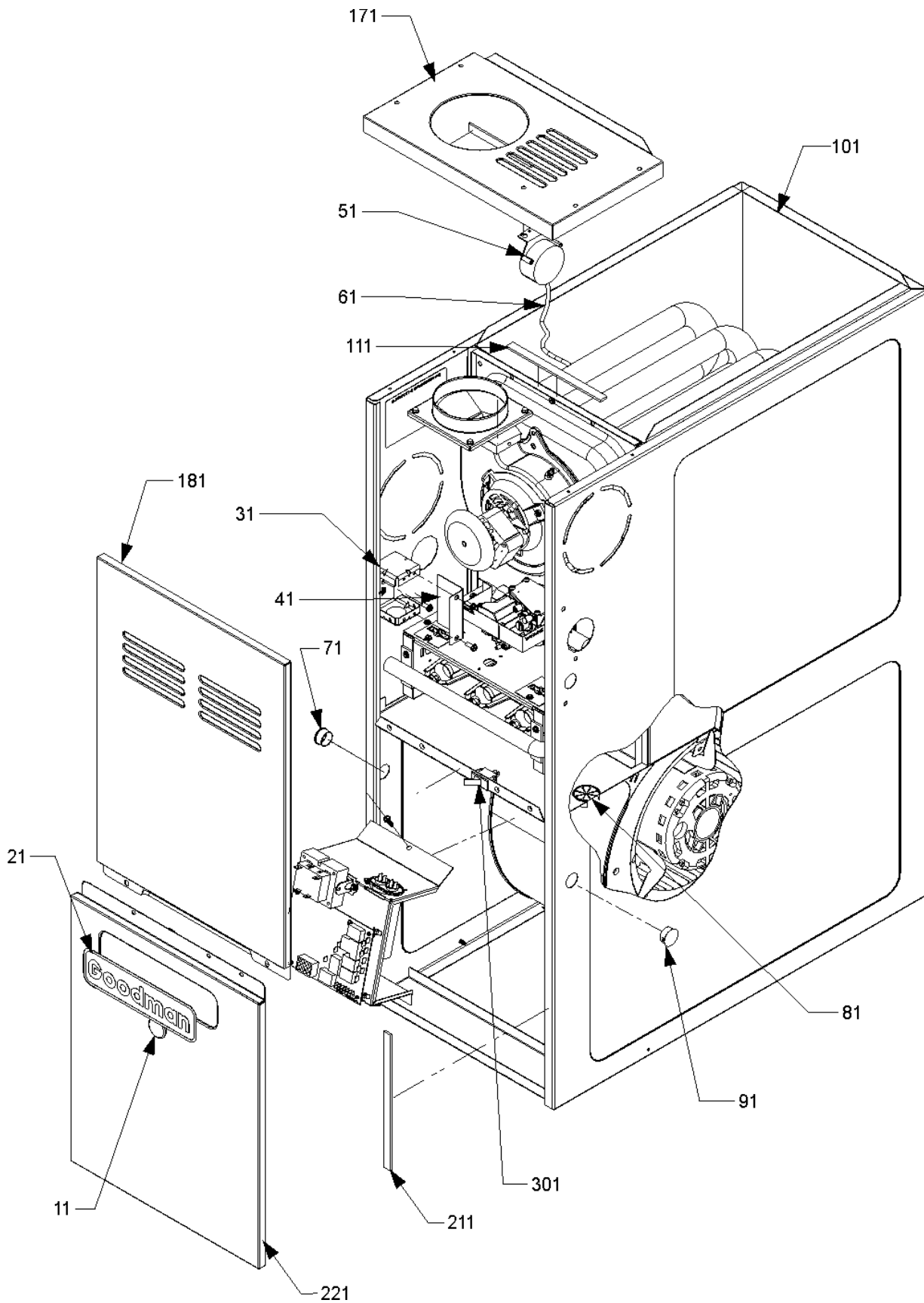
SPECIAL PARTS

IO-320A	INSTALLATION INSTRUCTIONS
IO-669	INSTALLATION INSTRUCTIONS-HUMIDIFIER
0161F00000P	NAMEPLATE
RP-428B	REPAIR PARTS MANUAL
HI-115A	USERS MANUAL

Expanded Model Nomenclature

M1 - GME80704BXAA
M2 - GME80704BXAB
M3 - GME80704BXAC
M4 - GME80905CXAA
M5 - GME80905CXAB
M6 - GME80905CXAC
M7 - GME81155CXAA
M8 - GME81155CXAB
M9 - GME81155CXAC

Cabinet



Cabinet

Ref. Part No:	No:	Description:	Ref. Part No:	No:	Description:
<i>Image 1:</i>					
11	B1392139	VIEW PORT BUSHING			
21	0161F00000P	NAMEPLATE			
31	4014502	J-BOX			
41	4015502	J-BOX COVER			
51	B1370142	PRESSURE SWITCH 0.60" WC (M1, M2, M3)			
51	B1370158	PRESSURE SWITCH -0.70" WC (M4, M5, M6, M7, M8, M9)			
61	A3468601	PRESSURE SWITCH HOSE			
71	B1392019	PLASTIC PLUG .875 DIA			
81	B1392147	UNIVERSAL BUSHING WITH SLICE			
91	B1392104	UNIVERSAL BUSHING UB 875			
101	0270F00011P	INSULATED ASSY, WRAPPER 17.5" (M1, M2, M3)			
101	0270F00012P	INSULATED ASSY, WRAPPER 21" (M4, M5, M6, M7, M8, M9)			
111	B13926111	SEAL STRIP 1/8 X 1/2 X 14			
111	B13926113	SEAL STRIP 1/8 X 1/2 X 21 (M4, M5, M6, M7, M8, M9)			
171	0221F00001PDG	TOP 17.5" (M1, M2, M3)			
171	0221F00002PDG	TOP 21" (M4, M5, M6, M7, M8, M9)			
181	0221F00005PDG	ACCESS DOOR 17.5" (M1, M2, M3)			
181	0221F00006PDG	ACCESS DOOR 21" (M4, M5, M6, M7, M8, M9)			
211	B13926112	SEAL STRIP 1/8 X 1/2 X 17.5 (M1, M2, M3)			
221	0221F00012PDG	BLOWER DOOR 17.5" (M1, M2, M3)			
221	0221F00013PDG	BLOWER DOOR 21" (M4, M5, M6, M7, M8, M9)			
301	B1370818	INTERLOCK SWITCH			

Expanded Model Nomenclature

- M1 - GME80704BXAA
- M2 - GME80704BXAB
- M3 - GME80704BXAC
- M4 - GME80905CXAA
- M5 - GME80905CXAB
- M6 - GME80905CXAC
- M7 - GME81155CXAA
- M8 - GME81155CXAB
- M9 - GME81155CXAC

Blower Assy/Control Panel

Image 1

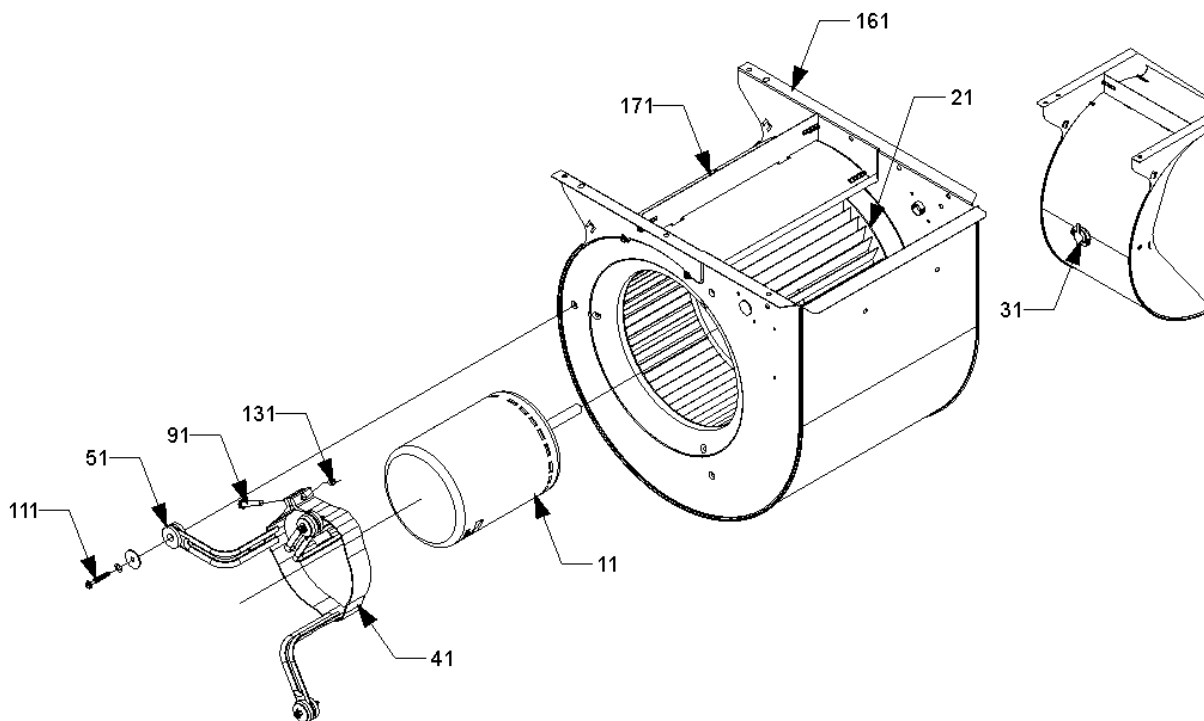
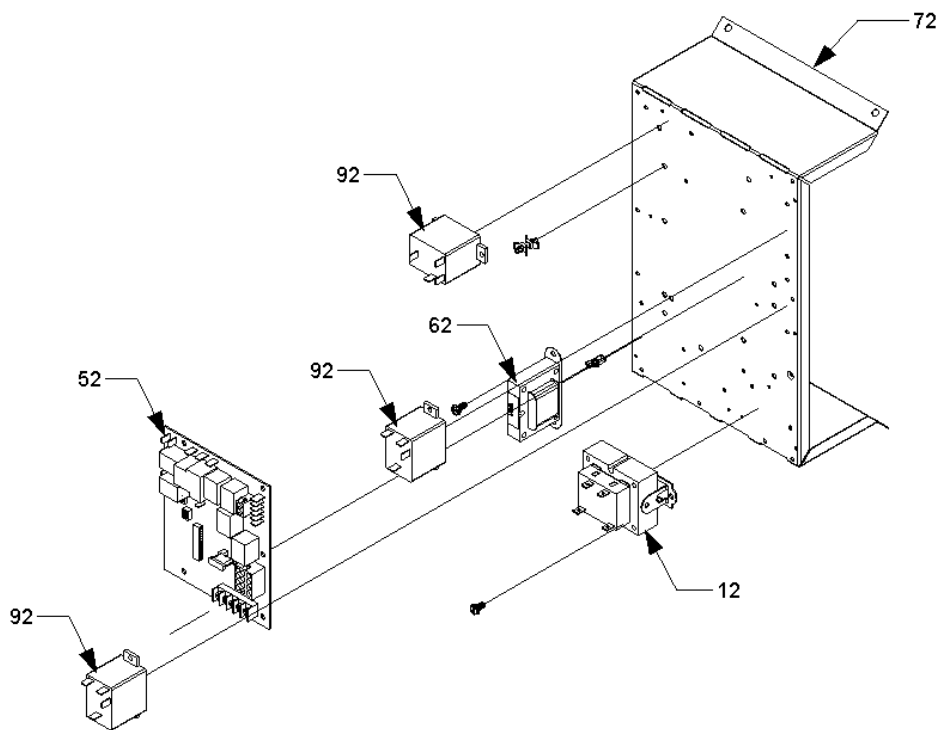


Image 2



Blower Assy/Control Panel

Ref. Part No: No:	Description:	Ref. Part No: No:	Description:
-------------------	--------------	-------------------	--------------

Image 1:

11	0131F00014S	MOTOR 115 V 1 HP, X13, PROGRAMMED (M4, M5, M6)
11	0131F00015S	MOTOR 115 V 1 HP, X13, PROGRAMMED (M7, M8, M9)
11	0131F00013S	MOTOR 115 V 3/4 HP, X13, PROGRAMMED (M1, M2, M3)
21	B1368047A	BLOWER WHEEL 10 X 10 (M4, M5, M6, M7, M8, M9)
21	B1368016S	BLOWER WHEEL 10 X 8 (M1, M2, M3)
31	B1370155	AUXILIARY LIMIT SWITCH 120°F
41	0121M00038	MOTOR MOUNT BAND
51	B1376853	MOTOR MOUNT ARM A36-42 (QTY 3)
91	B1393323	MACHINE SCREW, HWH 1/4-20X1 1/2 BZ
111	B1393527	SCREW, HWH, 14X1-1/2, A, BZ, SLOTTED (QTY 3)
131	B1393800	LOCKNUT, NYLON, INSERT 1/4, 20
161	2539307S	BLOWER SHELL ASSY 10 X 10 (M4, M5, M6, M7, M8, M9)
161	2539306S	BLOWER SHELL ASSY 10 X 8 (M1, M2, M3)
171	764741F	BLOWER BLOCK-OFF 10 X 10 (M4, M5, M6, M7, M8, M9)
171	764740F	BLOWER BLOCK-OFF 10 X 8 (M1, M2, M3)
NS	0259F00031	BLOWER WIRE KIT
NS	0259F00018	WIRE HARNESS ASSY, 12-PIN HYBRID

Image 2:

12	B1141605	TRANSFORMER 120V TO 24V, 40VA
52	0130F00006S	IGNITION BOARD, HSI INTEGRATED, 2 STAGE
62	B1141666	INDUCTOR 5.9 AMPS
72	0121F00080	CONTROL MOUNTING PANEL
92	10135603	RELAY (QTY 3)

Expanded Model Nomenclature

M1 - GME80704BXAA
M2 - GME80704BXAB
M3 - GME80704BXAC
M4 - GME80905CXAA
M5 - GME80905CXAB
M6 - GME80905CXAC
M7 - GME81155CXAA
M8 - GME81155CXAB
M9 - GME81155CXAC

Heat Exchanger Assy/Flue Collector Box "AA" & "AC" models

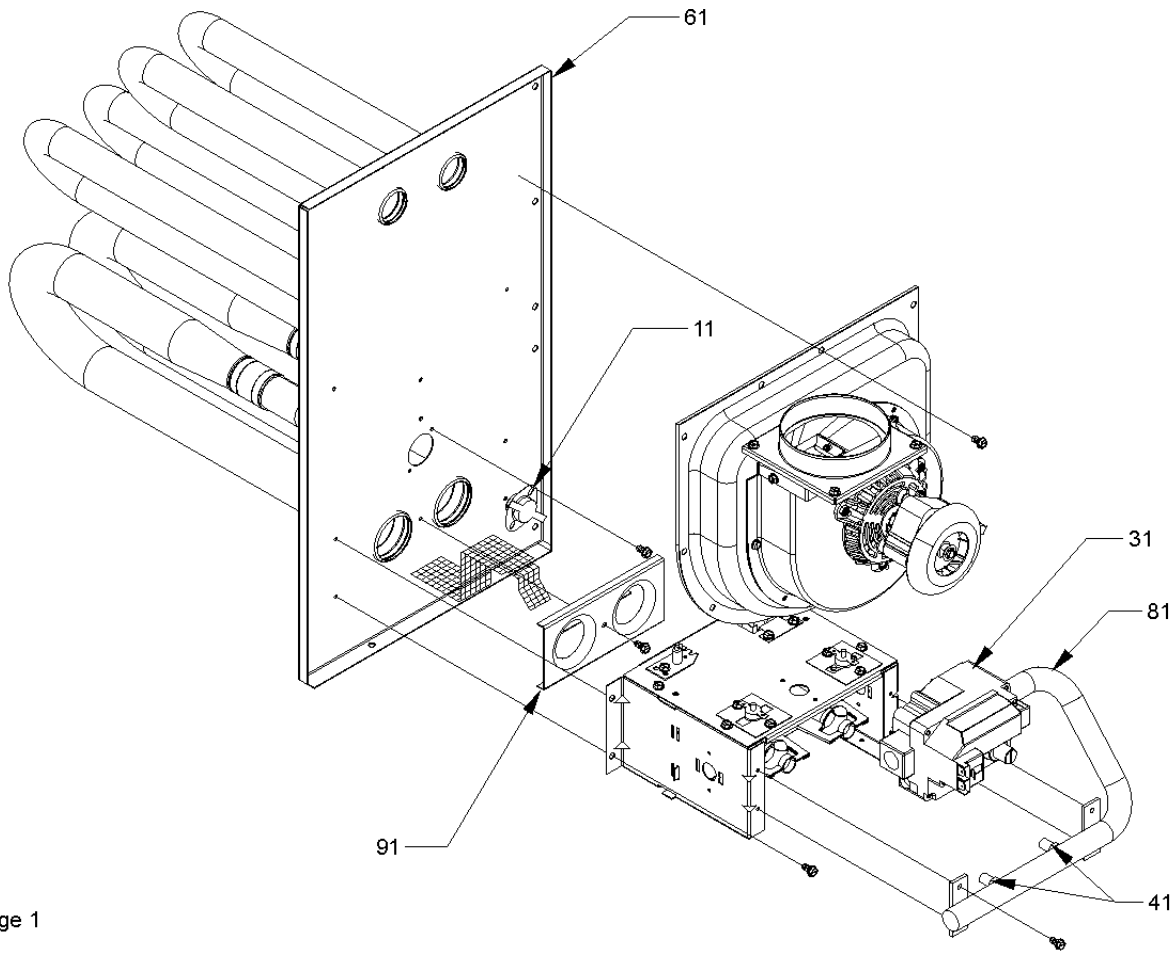
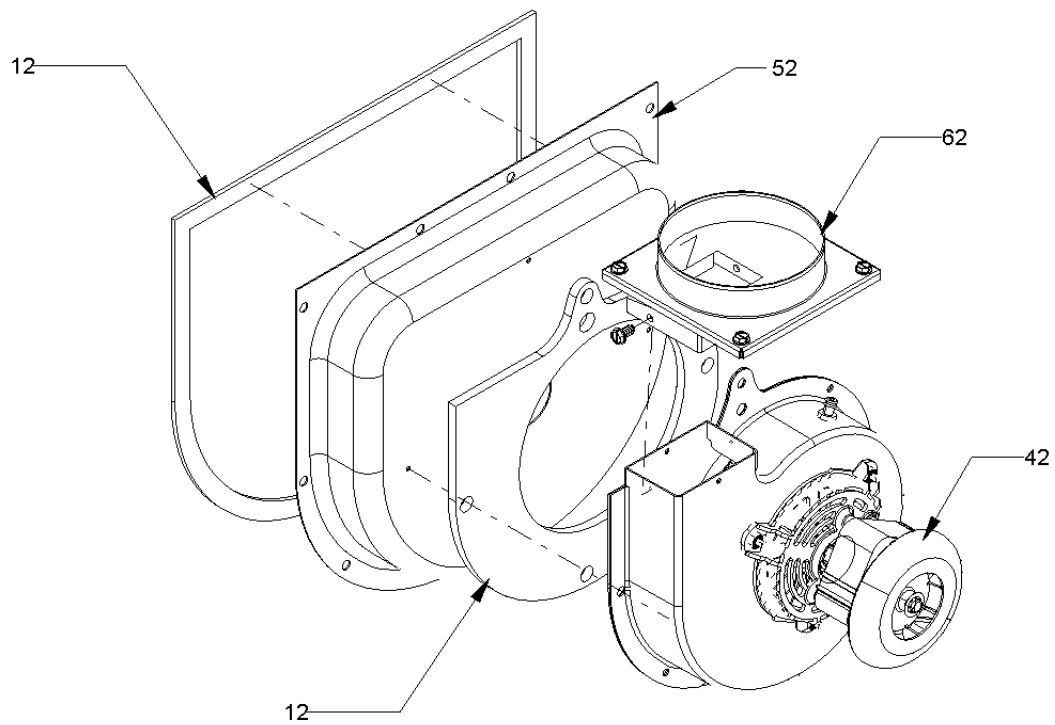


Image 1

Image 2



Heat Exchanger Assy/Flue Collector Box "AA" & "AC" models

Ref. Part No: No:	Description:	Ref. Part No: No:	Description:
-------------------	--------------	-------------------	--------------

Image 1:

11	B1370198	PRIMARY LIMIT SWITCH 150°F (M1, M3, M7, M9)
11	B1370199	PRIMARY LIMIT SWITCH 190°F (M4, M6)
31	0151F00000P	GAS VALVE (M1, M3, M4, M6, M7, M9)
41	10716003	ORIFICE (M1, M3, M4, M6, M7, M9)
61	4021308S	HEAT EXCHANGER SUB-ASSY 3 CELL 17.5" (M1, M3)
61	4021310S	HEAT EXCHANGER SUB-ASSY 4 CELL 21" (M4, M6)
61	4021311S	HEAT EXCHANGER SUB-ASSY 5 CELL 21" (M7, M9)
81	B4026006	GAS MANIFOLD 3 CELL (M1, M3)
81	B4026007	GAS MANIFOLD 4 CELL (M4, M6)
81	B4026008	GAS MANIFOLD 5 CELL (M7, M9)
91	4028001	ORIFICE PLATE 3 CELL (M1, M3)
91	4028002	ORIFICE PLATE 4 CELL (M4, M6)
91	4028003	ORIFICE PLATE 5 CELL (M7, M9)

Image 2:

12	B1392634	VENT MOTOR GASKET 17.5" (M1, M3)
12	B1392635	VENT MOTOR GASKET 21" (M4, M6, M7, M9)
42	0131M00002S	VENT MOTOR (M1, M3, M4, M6, M7, M9)
52	4010014S	FLUE COLLECTOR BOX 17.5" 2.000 MOD A (M1, M3)
52	4010016S	FLUE COLLECTOR BOX 21.0" 2.000 MOD A (M4, M6)
52	4010017S	FLUE COLLECTOR BOX 21.0" 2.250 MOD A (M7, M9)
62	4053501S	CHIMNEY ASSEMBLY (M1, M3, M4, M6, M7, M9)

Expanded Model Nomenclature

M1 - GME80704BXAA
M2 - GME80704BXAB
M3 - GME80704BXAC
M4 - GME80905CXAA
M5 - GME80905CXAB
M6 - GME80905CXAC
M7 - GME81155CXAA
M8 - GME81155CXAB
M9 - GME81155CXAC

Heat Exchanger Assy/Flue Collector Box "AB" models

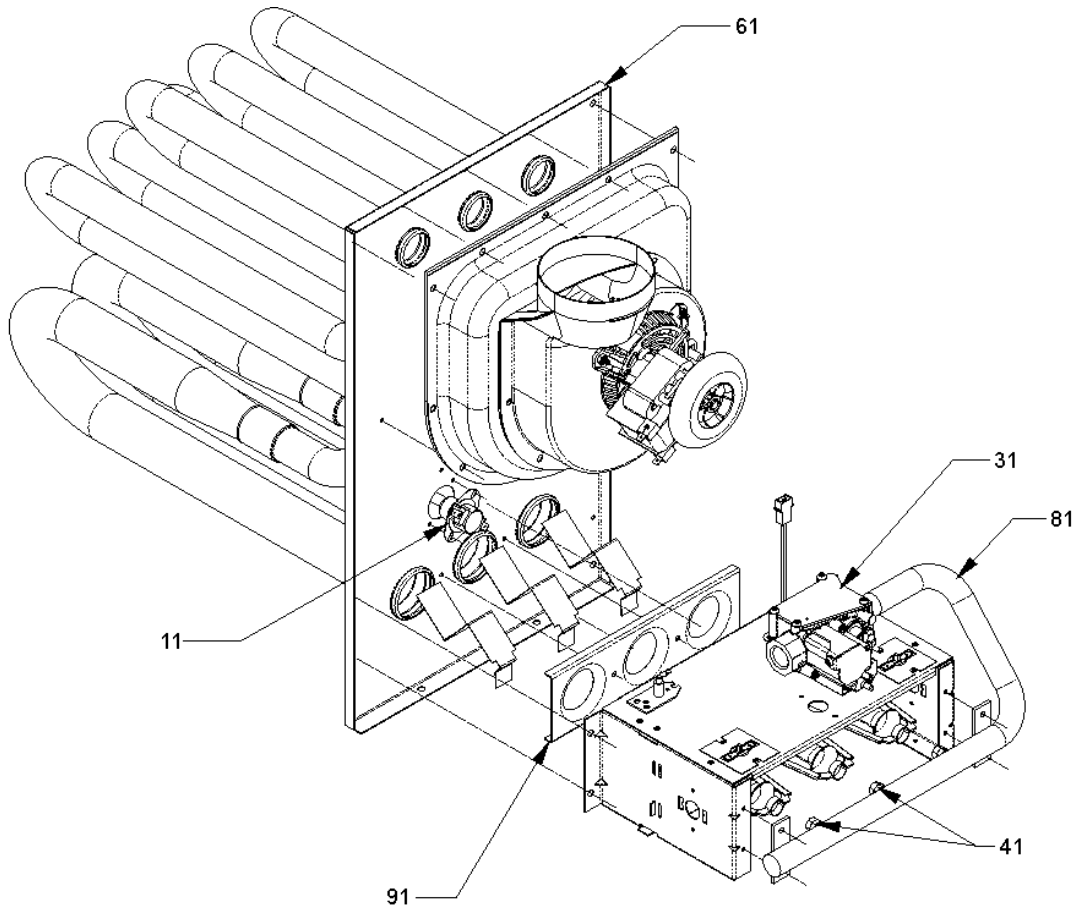
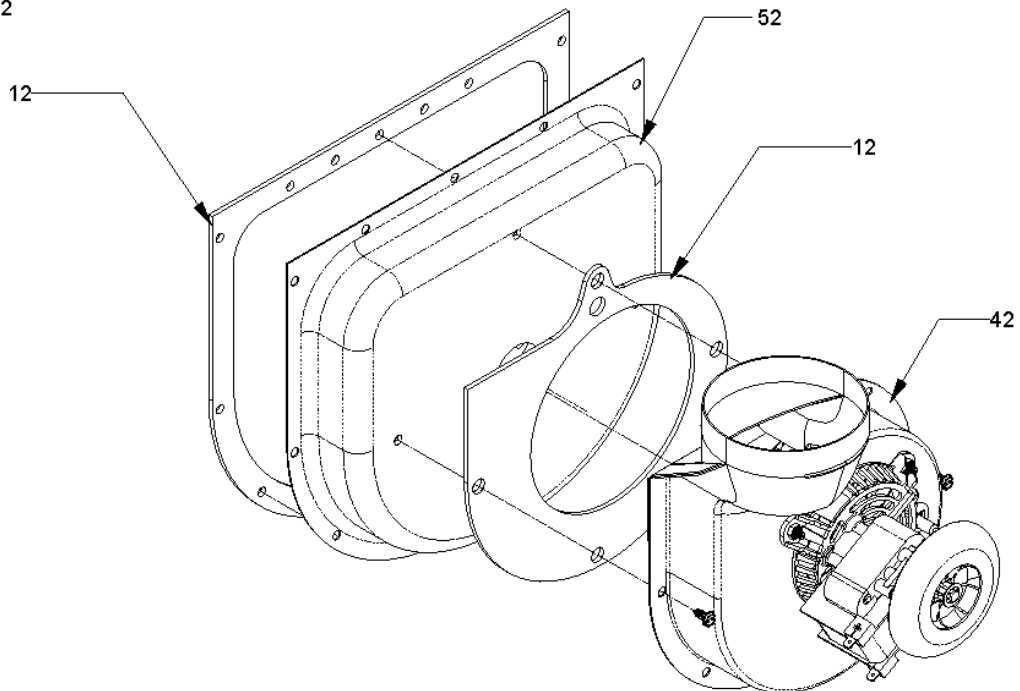


Image 1

Image 2



Heat Exchanger Assy/Flue Collector Box "AB" models

Ref. Part No:	Part No:	Description:	Ref. Part No:	Part No:	Description:
---------------	----------	--------------	---------------	----------	--------------

Image 1:

11	B1370198	PRIMARY LIMIT SWITCH 150°F (M2, M8)
11	B1370199	PRIMARY LIMIT SWITCH 190°F (M5)
31	0151F00000P	GAS VALVE (M2, M5, M8)
41	10716003	ORIFICE (M2, M5, M8)
61	4021308S	HEAT EXCHANGER SUB-ASSY 3 CELL 17.5" (M2)
61	4021310S	HEAT EXCHANGER SUB-ASSY 4 CELL 21" (M5)
61	4021311S	HEAT EXCHANGER SUB-ASSY 5 CELL 21" (M8)
81	B4026006	GAS MANIFOLD 3 CELL (M2)
81	B4026007	GAS MANIFOLD 4 CELL (M5)
81	B4026008	GAS MANIFOLD 5 CELL (M8)
91	4028001	ORIFICE PLATE 3 CELL (M2)
91	4028002	ORIFICE PLATE 4 CELL (M5)
91	4028003	ORIFICE PLATE 5 CELL (M8)

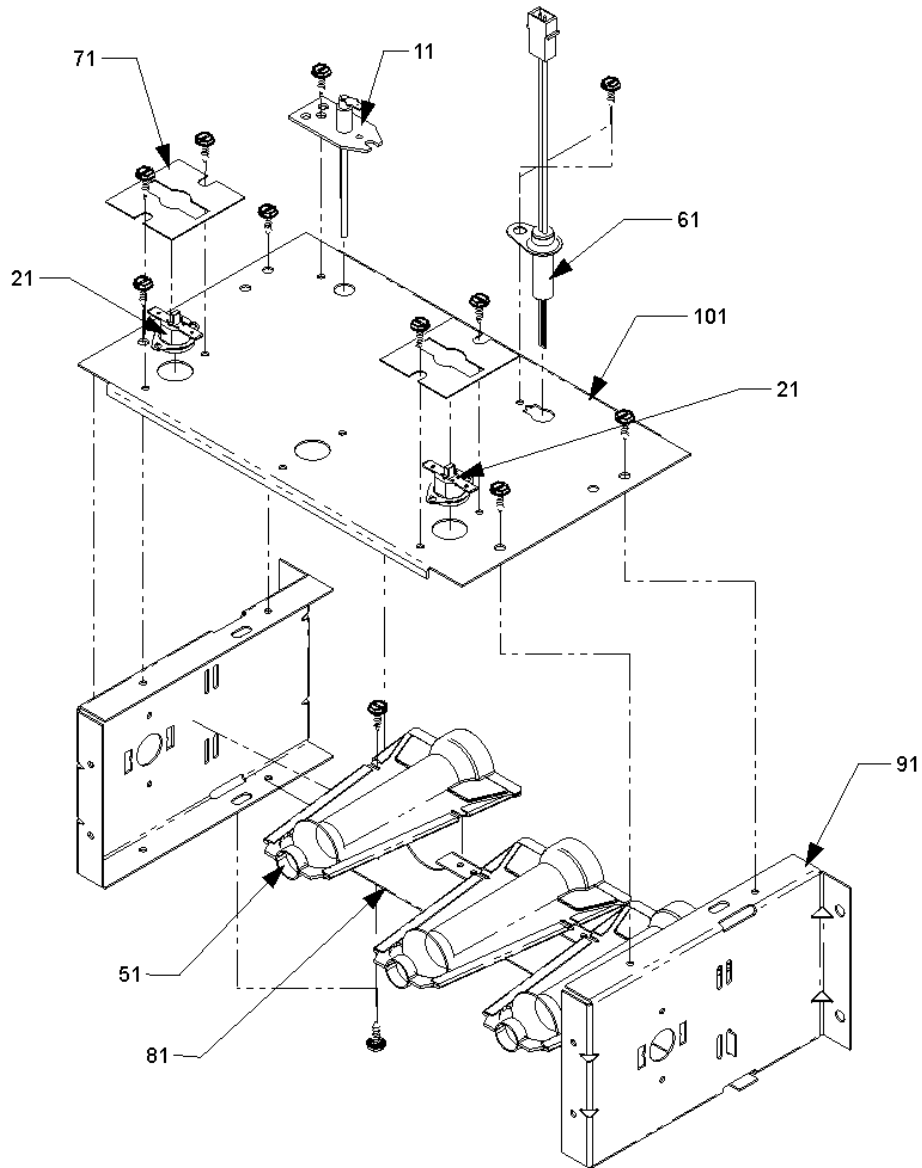
Image 2:

12	B1392634	VENT MOTOR GASKET 17.5" (M2)
12	B1392635	VENT MOTOR GASKET 21" (M5, M8)
42	0131F00006S	VENT MOTOR, SINGLE STAGE ROUNDNOSE (M2, M5, M8)
52	4010014S	FLUE COLLECTOR BOX 17.5" 2.000 MOD A (M2)
52	4010016S	FLUE COLLECTOR BOX 21.0" 2.000 MOD A (M5)
52	4010017S	FLUE COLLECTOR BOX 21.0" 2.250 MOD A (M8)

Expanded Model Nomenclature

- | |
|-------------------|
| M1 - GME80704BXAA |
| M2 - GME80704BXAB |
| M3 - GME80704BXAC |
| M4 - GME80905CXAA |
| M5 - GME80905CXAB |
| M6 - GME80905CXAC |
| M7 - GME81155CXAA |
| M8 - GME81155CXAB |
| M9 - GME81155CXAC |

Burner Box



Burner Box

Ref. Part No:	Description:	Ref. Part No:	Description:
---------------	--------------	---------------	--------------

Image 1:

11	0130F00010	FLAME SENSOR
21	B1370145	ROLLOUT SWITCH, 300 W/O BRACKET (QTY 2)
51	B4022700	INSHOT BURNER ASSY 3" (QTY 3)
61	0130F00008S	IGNITOR-SINI 17 SEC
71	2509503	BRACKET, ROLLOUT SWITCH (QTY 2)
71	0259F00020	WIRE HARNESS ASSY, IGNITOR HYBRID
81	2513501	BURNER RACK 3 CELL (M1, M2, M3)
81	2513502	BURNER RACK 4 CELL (M4, M5, M6)
81	2513503	BURNER RACK 5 CELL (M7, M8, M9)
91	2514000	SIDE PLATE, BURNER BOX (QTY 2)
101	4013011	BURNER BOX TOP 3 CELL (M1, M2, M3)
101	4013012	BURNER BOX TOP 4 CELL (M4, M5, M6)
101	4013013	BURNER BOX TOP 5 CELL (M7, M8, M9)

Expanded Model Nomenclature

M1 - GME80704BXAA
M2 - GME80704BXAB
M3 - GME80704BXAC
M4 - GME80905CXAA
M5 - GME80905CXAB
M6 - GME80905CXAC
M7 - GME81155CXAA
M8 - GME81155CXAB
M9 - GME81155CXAC