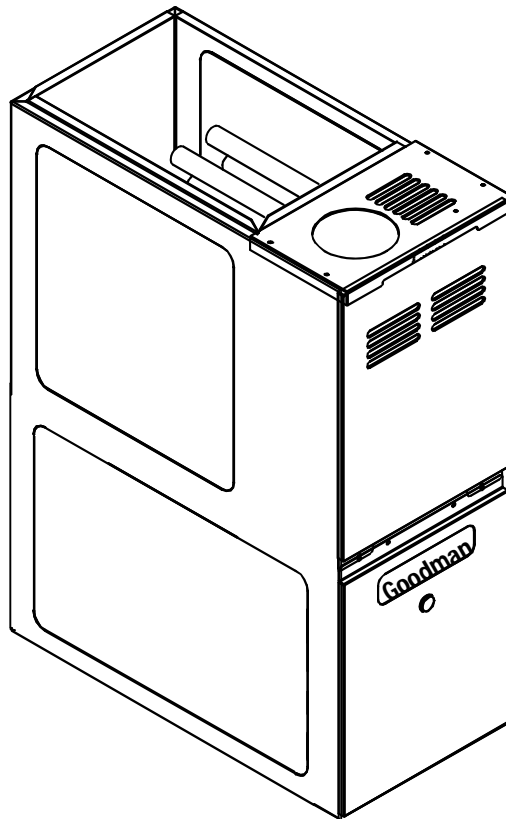




# REPAIR PARTS

## **GMS8\*** **Upflow/Horizontal/Single** **Stage/Multi-Speed 80% AFUE**

GMS80453ANAA  
GMS80453AXAA  
GMS80703ANAA  
GMS80703AXAA  
GMS80704BNAA  
GMS80704BXAA  
GMS80903BNAA  
GMS80904BNAA  
GMS80904BXAA  
GMS80905CNAA  
GMS80905CXAA  
GMS81155CNAA  
GMS81155CXAA  
GMS81405DNAA  
GMS81405DXAA



Goodman Manufacturing Company, L.P.  
2550 North Loop West, Suite 400  
Houston Texas 77092

[www.goodmanmfg.com](http://www.goodmanmfg.com)

RP-246A  
July 2004

# Important Information

---

## Index

Functional Parts List .....	3
Illustration and Parts .....	4 - 11

*Views shown are for parts illustrations only, not servicing procedures*

Revision A: Adds nox models GMS80703AXA, GMS80904BXA, and GMS81405DXA.

### Text Codes:

AR - As Required

NA - Not Available

NS - Not Shown

00000000 - See Note

QTY - Quantity Example (QTY 3) (If Quantity not shown, Quantity = 1)

M - Model Example (M1) (If M Code not shown, then part is used on all Models)

### Expanded Model Nomenclature:

Example M1 - Model#1 M2 - Model#2 M3 - Model#3
---

Goodman Manufacturing Company, L.P. is not responsible for personal injury or property damage resulting from improper service. Review all service information before beginning repairs.

Warranty service must be performed by an authorized technician, using authorized factory parts. If service is required after the warranty expires, Goodman Manufacturing Company, L.P. also recommends contacting an authorized technician and using authorized factory parts.

Goodman Manufacturing Company, L.P. reserves the right to discontinue, or change at any time, specifications or designs without notice or without incurring obligations.

For assistance within the U.S.A. contact:  
Consumer Affairs Department  
Goodman Manufacturing Company, L.P.  
7401 Security Way  
Houston, Texas 77040  
877-254-4729-Telephone  
713-863-2382-Facsimile

For assistance outside the U.S.A. contact:  
International Division  
Goodman Manufacturing Company, L.P.  
7401 Security Way  
Houston, Texas 77040  
713-861-2500-Telephone  
713-863-2382-Facsimile

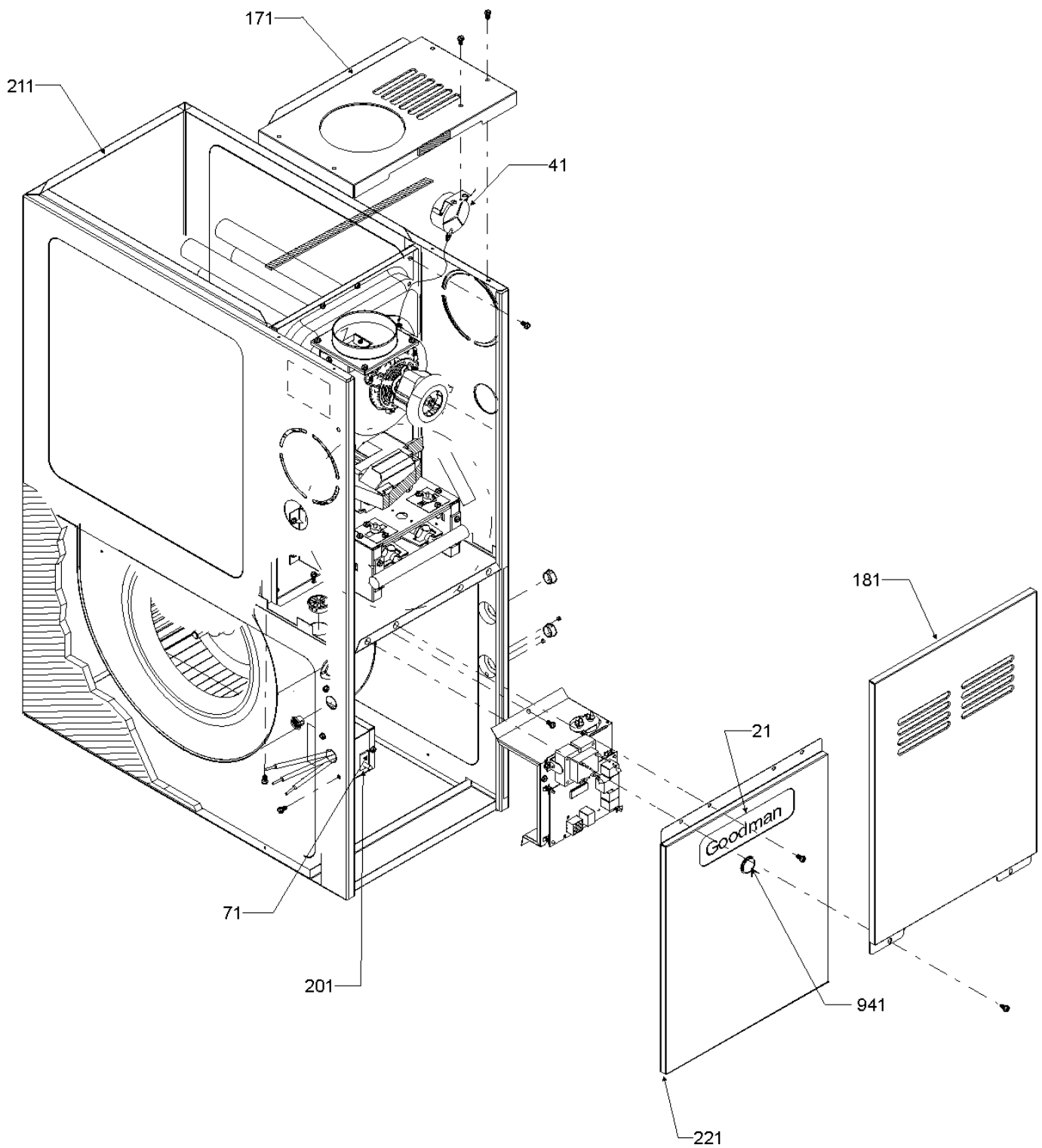
# Functional Parts

**Part No:**

**Description:**

Part No:	Description:	Part No:	Description:
B1370142	AIR PRESSURE SWITCH 0.60"WC (M1, M2, M3, M4, M5, M6, M7, M8, M9)	B1370189	SWITCH, PRIMARY LIMIT 200°F (M10, M11)
B1370158	AIR PRESSURE SWITCH -0.70"WC (M10, M11, M12, M13)	B1141605	TRANSFORMER 120V TO 24V, 40VA
B1370179	AIR PRESSURE SWITCH 0.75"WC (M14, M15)	0259F00000P	WIRE KIT
0259F00006P	ASSY, WIRE HARNESS 12-PIN	<b>SPECIAL PARTS</b>	
B4068404	ASSY, WIRE HARNESS, IGN 2-PIN	HI-115A	HOMEOWNERS INSTRUCTIONS
B1370155	AUXILIARY LIMIT SWITCH, 120F	IO-242D	INSTALLATION INSTRUCTIONS
0130F00005S	BOARD, HSI INTEGRATED CONTROL	0161F00000P	NAMEPLATE, GOODMAN
CAP125000370RP	CAPACITOR, 12.5 MFD/370V/ RD (M1, M2, M3, M4, M7)	RP-246A	REPAIR PARTS MANUAL
CAP200000370RP	CAPACITOR, 20 MFD/370V/ RD (M5, M6, M8, M9, M10, M11, M12, M13)	4021310S	SUB ASSY, HEAT EXCHANGER 4 CELL, 21" (M10, M11)
CAP250000370RP	CAPACITOR, 25 MFD/370V/ RD (M14, M15)	<b>Expanded Model Nomenclature</b>	
0130F00010	FLAME SENSOR	M1 - GMS80453ANAA	
B4026005	GAS MANIFOLD, 2 CELL (M1, M2)	M2 - GMS80453AXAA	
B4026006	GAS MANIFOLD, 3 CELL (M3, M4, M5, M6)	M3 - GMS80703ANAA	
B4026007	GAS MANIFOLD, 4 CELL (M7, M8, M9, M10, M11)	M4 - GMS80703AXAA	
B4026008	GAS MANIFOLD, 5 CELL (M12, M13)	M5 - GMS80704BNAA	
B4026009	GAS MANIFOLD, 6 CELL (M14, M15)	M6 - GMS80704BXAA	
B1282628	GAS VALVE	M7 - GMS80903BNAA	
20165703S	IGNITOR	M8 - GMS80904BNAA	
B4022700	INSHOT BURNER 3" (QTY AR)	M9 - GMS80904BXAA	
B1370818	INTERLOCK SWITCH	M10 - GMS80905CNAA	
20046618S	MOTOR, BLOWER 3/4 HP (M14, M15)	M11 - GMS80905CXAA	
B1340024S	MOTOR, DIRECT DRIVE 1/2 HP, 4 SP, 6 PL (M5, M6, M8, M9, M10, M11, M12, M13)	M12 - GMS81155CNAA	
B1340025S	MOTOR, DIRECT DRIVE 1/3 HP, 4 SP, 6 PL (M1, M2, M3, M4, M7)	M13 - GMS81155CXAA	
0131M00002S	MOTOR, VENT	M14 - GMS81405DNAA	
10716003	ORIFICE (QTY 2)	M15 - GMS81405DXAA	
4021300S	SUB ASSY, HEAT EXCHANGER 2 CELL, 14" (M1, M2)		
4021307S	SUB ASSY, HEAT EXCHANGER 3 CELL, 14" (M3, M4)		
4021308S	SUB ASSY, HEAT EXCHANGER 3 CELL, 17.5" (M5, M6)		
4021309S	SUB ASSY, HEAT EXCHANGER 4 CELL, 17.5" (M7, M8, M9)		
4021311S	SUB ASSY, HEAT EXCHANGER 5 CELL, 21" (M12, M13)		
4021312S	SUB ASSY, HEAT EXCHANGER 6 CELL, 24.5" (M14, M15)		
B1370198	SWITCH, PRIMARY LIMIT 150°F (M7, M12, M13, M14, M15)		
B1370187	SWITCH, PRIMARY LIMIT 160°F (M3, M4)		
B1370188	SWITCH, PRIMARY LIMIT 170°F (M5, M6, M8, M9)		

# Cabinet



# Cabinet

**Ref. Part  
No: No:**

**Description:**

**Ref. Part  
No: No:**

**Description:**

*Image 1:*

21	0161F00000P	NAMEPLATE, GOODMAN
41	B1370142	AIR PRESSURE SWITCH 0.60"WC (M1, M2, M3, M4, M5, M6, M7, M8, M9)
41	B1370158	AIR PRESSURE SWITCH -0.70"WC (M10, M11, M12, M13)
41	B1370179	AIR PRESSURE SWITCH 0.75"WC (M14, M15)
71	B1370818	INTERLOCK SWITCH
171	0221F00000PDG	TOP 14" (M1, M2, M3, M4)
171	0221F00001PDG	TOP 17.5" (M5, M6, M7, M8, M9)
171	0221F00002PDG	TOP 21" (M10, M11, M12, M13)
171	0221F00003PDG	TOP 24.5" (M14, M15)
181	0221F00004PDG	DOOR, CONTROL ACCESS 14" (M1, M2, M3, M4)
181	0221F00005PDG	DOOR, CONTROL ACCESS 17.5" (M5, M6, M7, M8, M9)
181	0221F00006PDG	DOOR, CONTROL ACCESS 21" (M10, M11, M12, M13)
181	0221F00007PDG	DOOR, CONTROL ACCESS 24.5" (M14, M15)
201	4014502	J-BOX
201	4015502	J-BOX COVER
211	0270F00010P	INSULATED ASSY, WRAPPER 14" (M1, M2, M3, M4)
211	0270F00011P	INSULATED ASSY, WRAPPER 17.5" (M5, M6, M7, M8, M9)
211	0270F00012P	INSULATED ASSY, WRAPPER 21" (M10, M11, M12, M13)
211	0270F00013P	INSULATED ASSY, WRAPPER 24.5" (M14, M15)
221	0221F00011PDG	DOOR, BLOWER ACCESS 14" (M1, M2, M3, M4)
221	0221F00012PDG	DOOR, BLOWER ACCESS 17.5" (M5, M6, M7, M8, M9)
221	0221F00013PDG	DOOR, BLOWER ACCESS 21" (M10, M11, M12, M13)
221	0221F00014PDG	DOOR, BLOWER ACCESS 24.5" (M14, M15)
941	B1392139	VIEW PORT BUSHING-BLOWER DOOR
NS	A3468601	HOSE, PRESSURE SWITCH
NS	1819000	SOLID BOTTOM 14" CASE (M1, M2, M3, M4)
NS	1819001	SOLID BOTTOM 17.5" CASE (M5, M6, M7, M8, M9)
NS	1819002	SOLID BOTTOM 21" CASE (M10, M11, M12, M13)
NS	1819003	SOLID BOTTOM 24.5" CASE (M14, M15)

Expanded Model Nomenclature

M1 - GMS80453ANAA
M2 - GMS80453AXAA
M3 - GMS80703ANAA
M4 - GMS80703AXAA
M5 - GMS80704BNAA
M6 - GMS80704BXAA
M7 - GMS80903BNAA
M8 - GMS80904BNAA
M9 - GMS80904BXAA
M10 - GMS80905CNAA
M11 - GMS80905CXAA
M12 - GMS81155CNAA
M13 - GMS81155CXAA
M14 - GMS81405DNAA
M15 - GMS81405DXAA

# Blower Assembly

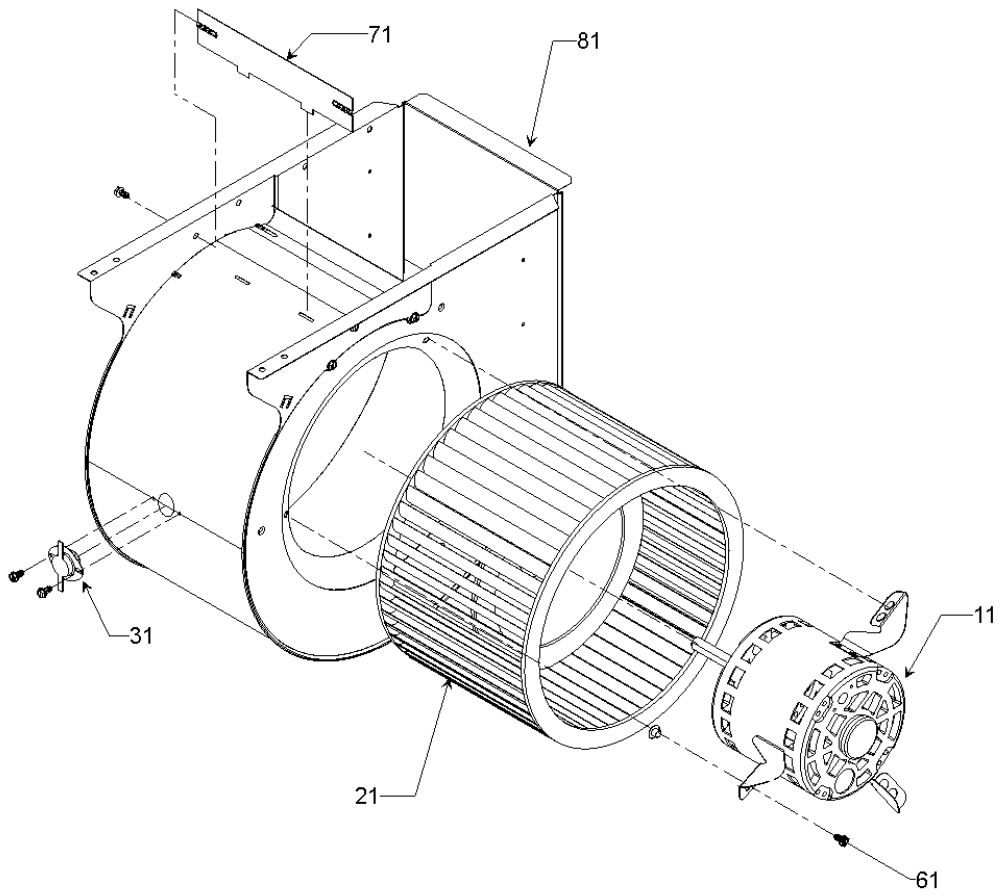
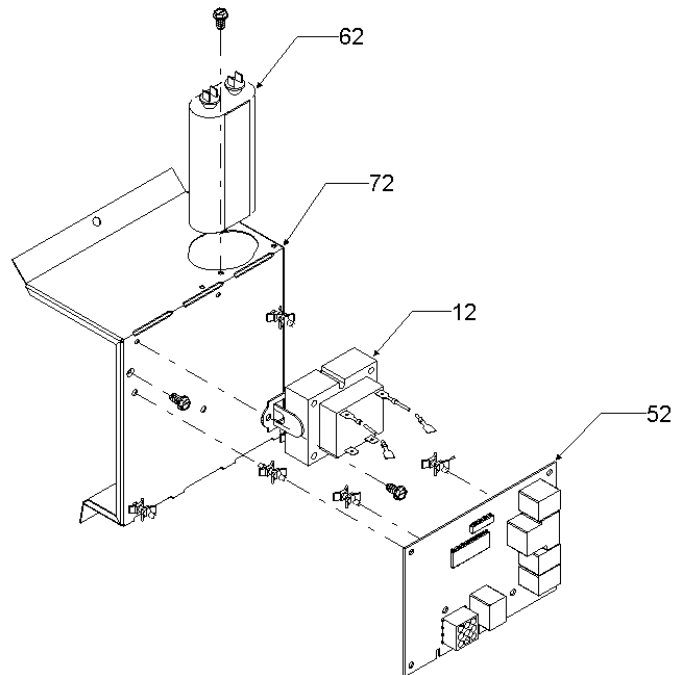


Image 1

Image 2



# Blower Assembly

Ref. Part No:	Ref. Part No:	Description:	Description:
---------------	---------------	--------------	--------------

*Image 1:*

11	20046618S	MOTOR, BLOWER 3/4 HP (M14, M15)
11	B1340024S	MOTOR, DIRECT DRIVE 1/2 HP, 4 SP, 6 PL (M5, M6, M8, M9, M10, M11, M12, M13)
11	B1340025S	MOTOR, DIRECT DRIVE 1/3 HP, 4 SP, 6 PL (M1, M2, M3, M4, M7)
21	B1368047A	BLOWER WHEEL (10 X 10) (M10, M11, M12, M13, M14, M15)
21	B1368034S	BLOWER WHEEL (10 X 6) (M1, M2, M3, M4)
21	B1368016S	BLOWER WHEEL (10 X 8) (M5, M6, M8, M9)
21	B1368058S	BLOWER WHEEL (10 X 8) (M7)
31	B1370155	AUXILIARY LIMIT SWITCH, 120F
61	B1393331	MACHINE SCREW, 1/4-20 TYPE F SLOTTED (QTY 3)
71	764741	BLOWER BLOCK-OFF 10 X 10 (M10, M11, M12, M13, M14, M15)
71	764739	BLOWER BLOCK-OFF 10 X 6 (M1, M2, M3, M4)
71	764740	BLOWER BLOCK-OFF 10 X 8 (M5, M6, M7, M8, M9)
81	2539307S	ASSY, BLOWER SHELL 10 X 10 (M10, M11, M12, M13, M14, M15)
81	2539305S	ASSY, BLOWER SHELL 10 X 6 (M1, M2, M3, M4)
81	2539306S	ASSY, BLOWER SHELL 10 X 8 (M5, M6, M7, M8, M9)
NS	0259F00006P	ASSY, WIRE HARNESS 12-PIN
NS	B4068404	ASSY, WIRE HARNESS, IGN 2-PIN

*Image 2:*

12	B1141605	TRANSFORMER 120V TO 24V, 40VA
52	0130F00005S	BOARD, HSI INTEGRATED CONTROL
62	CAP125000370RP	CAPACITOR, 12.5 MFD/370V/ RD (M1, M2, M3, M4, M7)
62	CAP200000370RP	CAPACITOR, 20 MFD/370V/ RD (M5, M6, M8, M9, M10, M11, M12, M13)
62	CAP250000370RP	CAPACITOR, 25 MFD/370V/ RD (M14, M15)
72	1815817	CONTROL MOUNT PANEL

Expanded Model Nomenclature

M1 - GMS80453ANAA
M2 - GMS80453AXAA
M3 - GMS80703ANAA
M4 - GMS80703AXAA
M5 - GMS80704BNAA
M6 - GMS80704BXAA
M7 - GMS80903BNAA
M8 - GMS80904BNAA
M9 - GMS80904BXAA
M10 - GMS80905CNAA
M11 - GMS80905CXAA
M12 - GMS81155CNAA
M13 - GMS81155CXAA
M14 - GMS81405DNAA
M15 - GMS81405DXAA

# Heat Exchanger Assy / Flue Collector Box

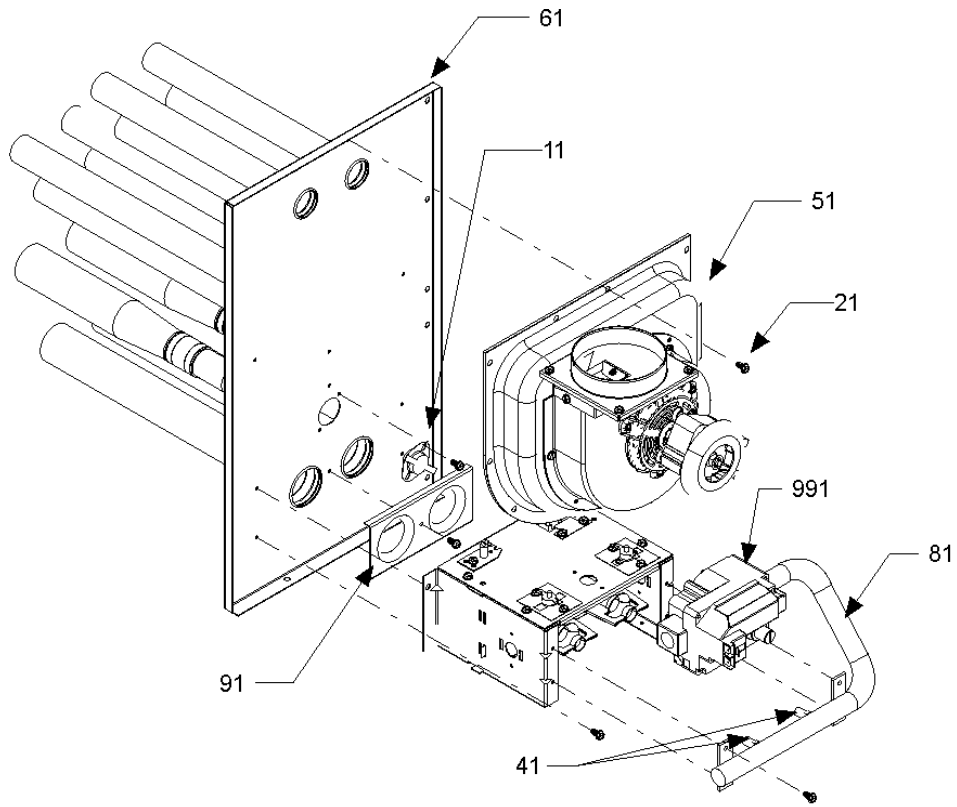
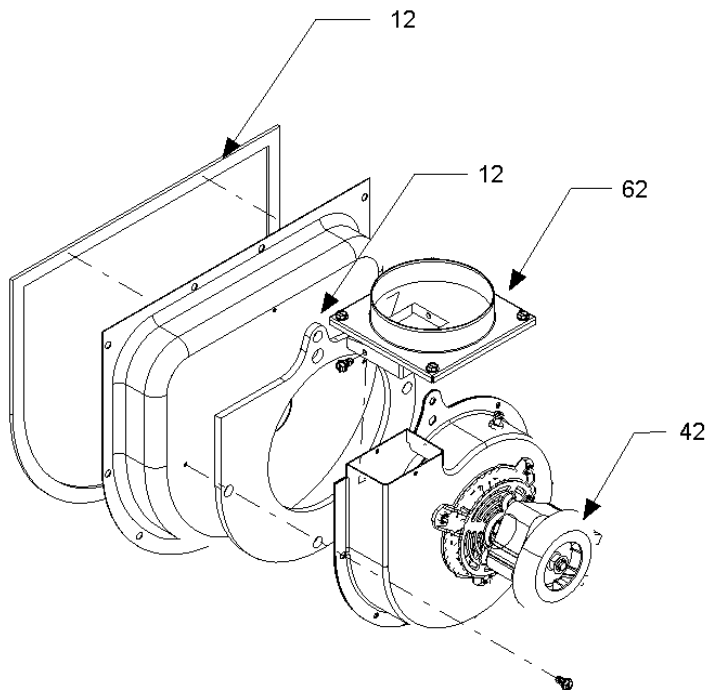


Image 1

Image 2

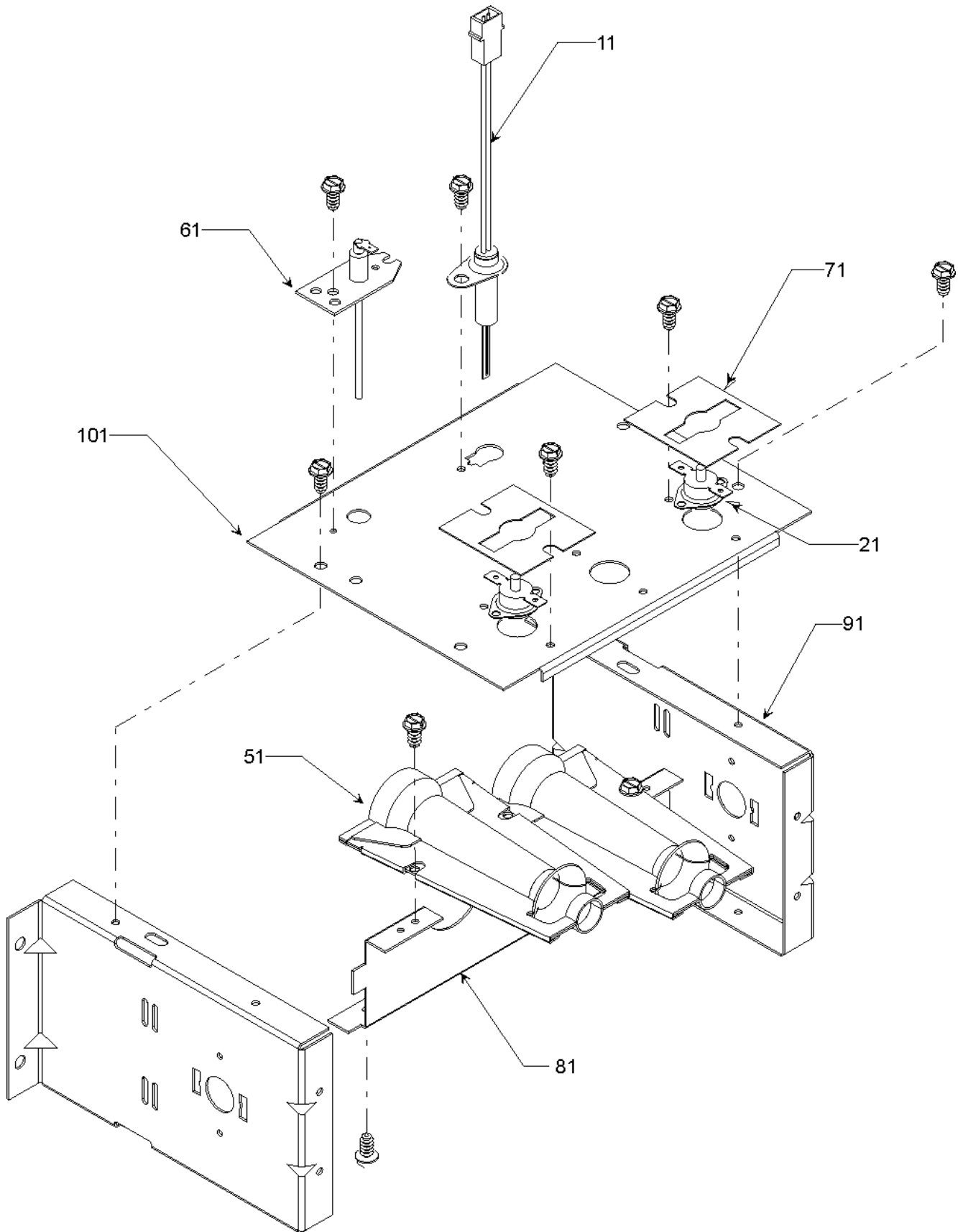




# Heat Exchanger Assy / Flue Collector Box

Ref. Part No:	Ref. Part No:	Description:	Description:
<i>Image 1:</i>			42 0131M00002S MOTOR, VENT
11 B1370198		SWITCH, PRIMARY LIMIT 150°F (M7, M12, M13, M14, M15)	62 4053501S CHIMNEY ASSEMBLY
11 B1370187		SWITCH, PRIMARY LIMIT 160°F (M3, M4)	Expanded Model Nomenclature <div style="border: 1px solid black; padding: 5px;"> M1 - GMS80453ANAA  M2 - GMS80453AXAA  M3 - GMS80703ANAA  M4 - GMS80703AXAA  M5 - GMS80704BNAA  M6 - GMS80704BXAA  M7 - GMS80903BNAA  M8 - GMS80904BNAA  M9 - GMS80904BXAA  M10 - GMS80905CNAA  M11 - GMS80905CXAA  M12 - GMS81155CNAA  M13 - GMS81155CXAA  M14 - GMS81405DNAA  M15 - GMS81405DXAA </div>
11 B1370188		SWITCH, PRIMARY LIMIT 170°F (M5, M6, M8, M9)	
11 B1370189		SWITCH, PRIMARY LIMIT 200°F (M10, M11)	
11 B1370190		SWITCH, PRIMARY LIMIT 210°F (M1, M2)	
41 10716003		ORIFICE (QTY 2)	
51 4010012S		FLUE COLLECTOR BOX 14" 1.500 DIA MOD A (M1, M2)	
51 4010013S		FLUE COLLECTOR BOX 14" 2.000 DIA MOD A (M3, M4)	
51 4010014S		FLUE COLLECTOR BOX 17.5" 2.000 MOD A (M5, M6)	
51 4010015S		FLUE COLLECTOR BOX 17.5" 2.000 MOD A (M7, M8, M9)	
51 4010017S		FLUE COLLECTOR BOX 21" 2.250 DIA MOD A (M12, M13)	
51 4010016S		FLUE COLLECTOR BOX 21", 2.000" DIA MOD A (M10, M11)	
51 4010018S		FLUE COLLECTOR BOX 24.5" 3.625 DIA MOD A (M14, M15)	
61 4021300S		SUB ASSY, HEAT EXCHANGER 2 CELL, 14" (M1, M2)	
61 4021307S		SUB ASSY, HEAT EXCHANGER 3 CELL, 14" (M3, M4)	
61 4021308S		SUB ASSY, HEAT EXCHANGER 3 CELL, 17.5" (M5, M6)	
61 4021309S		SUB ASSY, HEAT EXCHANGER 4 CELL, 17.5" (M7, M8, M9)	
61 4021310S		SUB ASSY, HEAT EXCHANGER 4 CELL, 21" (M10, M11)	
61 4021311S		SUB ASSY, HEAT EXCHANGER 5 CELL, 21" (M12, M13)	
61 4021312S		SUB ASSY, HEAT EXCHANGER 6 CELL, 24.5" (M14, M15)	
81 B4026005		GAS MANIFOLD, 2 CELL (M1, M2)	
81 B4026006		GAS MANIFOLD, 3 CELL (M3, M4, M5, M6)	
81 B4026007		GAS MANIFOLD, 4 CELL (M7, M8, M9, M10, M11)	
81 B4026008		GAS MANIFOLD, 5 CELL (M12, M13)	
81 B4026009		GAS MANIFOLD, 6 CELL (M14, M15)	
91 4028000		ORIFICE PLATE, 2 CELL (M1, M2)	
91 4028001		ORIFICE PLATE, 3 CELL (M3, M4, M5, M6)	
91 4028002		ORIFICE PLATE, 4 CELL (M7, M8, M9, M10, M11)	
91 4028003		ORIFICE PLATE, 5 CELL (M12, M13)	
91 4028004		ORIFICE PLATE, 6 CELL (M14, M15)	
991 B1282628		GAS VALVE	
<i>Image 2:</i>			
12 B1392633		GASKET, VENT MOTOR 14" (M1, M2, M3, M4)	
12 B1392634		GASKET, VENT MOTOR 17.5" (M5, M6, M7, M8, M9)	
12 B1392635		GASKET, VENT MOTOR 21" (M10, M11, M12, M13)	
12 B1392636		GASKET, VENT MOTOR 24.5" (M14, M15)	

# Burner Box



# Burner Box

Ref. Part No:	No:	Description:	Ref. Part No:	No:	Description:
<i>Image 1:</i>					
11	20165703S	IGNITOR			
21	B1370145	ROLLOUT SWITCH, 300°F W/O BRACKET (QTY 2)			
51	B4022700	INSHOT BURNER 3" (QTY AR)			
61	0130F00010	FLAME SENSOR			
71	2509503	BRACKET, ROLLOUT SWITCH (QTY 2)			
81	2513500	BURNER RACK, 2 CELL (M1, M2)			
81	2513501	BURNER RACK, 3 CELL (M3, M4, M5, M6)			
81	2513502	BURNER RACK, 4 CELL (M7, M8, M9, M10, M11)			
81	2513503	BURNER RACK, 5 CELL (M12, M13)			
81	2513504	BURNER RACK, 6 CELL (M14, M15)			
91	2514000	SIDE PLATE, BURNER BOX (QTY 2)			
101	4013010	TOP, BURNER BOX 2 CELL (M1, M2)			
101	4013011	TOP, BURNER BOX 3 CELL (M3, M4, M5, M6)			
101	4013012	TOP, BURNER BOX 4 CELL (M7, M8, M9, M10, M11)			
101	4013013	TOP, BURNER BOX 5 CELL (M12, M13)			
101	4013014	TOP, BURNER BOX 6 CELL (M14, M15)			

## Expanded Model Nomenclature

- M1 - GMS80453ANAA
- M2 - GMS80453AXAA
- M3 - GMS80703ANAA
- M4 - GMS80703AXAA
- M5 - GMS80704BNAA
- M6 - GMS80704BXAA
- M7 - GMS80903BNAA
- M8 - GMS80904BNAA
- M9 - GMS80904BXAA
- M10 - GMS80905CNAA
- M11 - GMS80905CXAA
- M12 - GMS81155CNAA
- M13 - GMS81155CXAA
- M14 - GMS81405DNAA
- M15 - GMS81405DXAA