

## DESCRIPTION

- Brass construction
- Pressure balancing, four port valve design with volume control and integral check stops, 1/2" CC or IPS connections

## OPERATION

- Adjustable temperature limit stop to control maximum hot water temperature
- Pressure balancing mechanism maintain selected discharge temperature to  $\pm 2^\circ\text{F}$

## CARTRIDGE

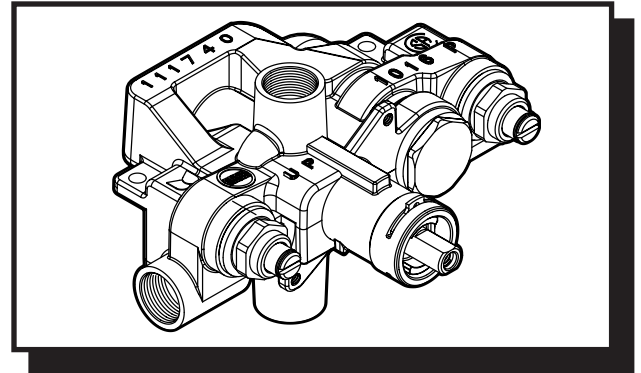
- 1225 cartridge design
- Nonmetallic/nonferrous and stainless steel materials
- Accommodates back to back installations

## STANDARDS

- Third party certified by CSA to meet CSA B-125, ASME A112.18.1M and all applicable requirements referenced therein and complies with the applicable requirements of ANSI A117.1

## WARRANTY

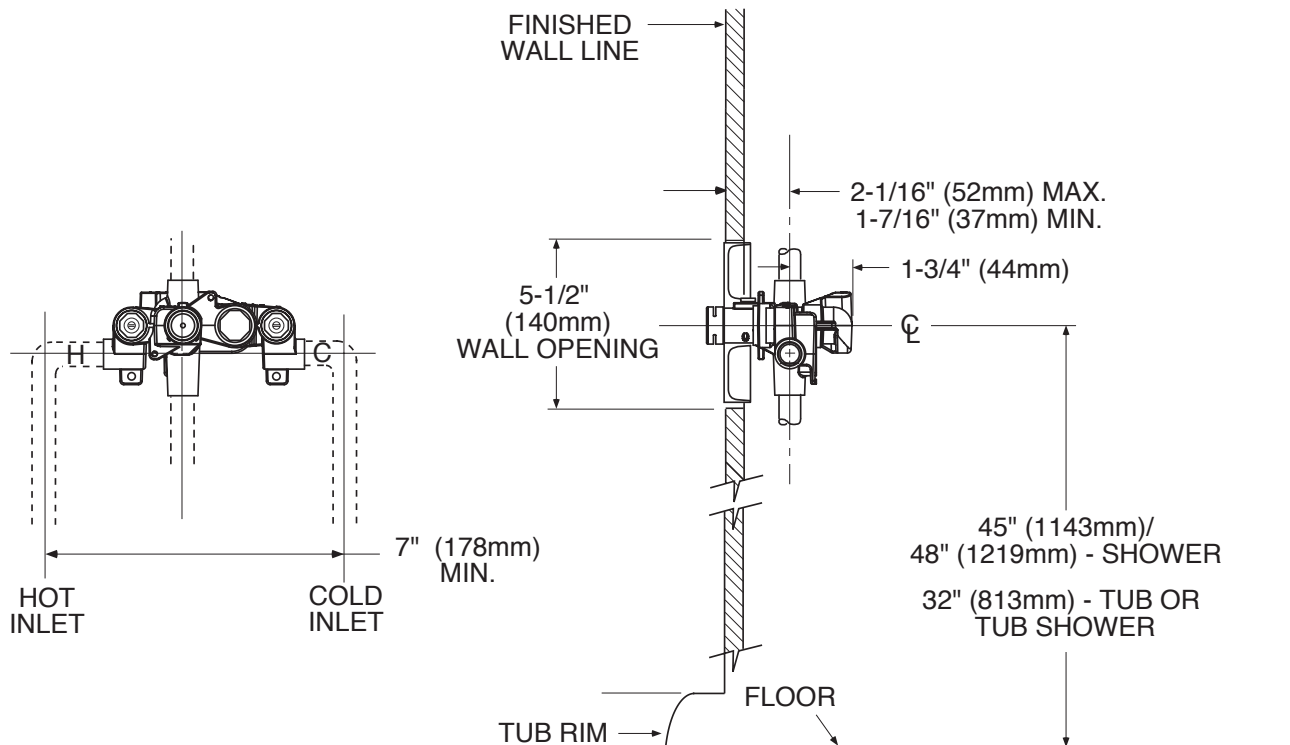
- Lifetime limited warranty against leaks, drips and finish defects to the original consumer purchaser
- 5 year warranty if used in commercial installations



### MOENTROL® VALVE Pressure-Balancing Valve with Volume Control

**Models: 3570 (CC), 3550 (IPS) - Single Pack**  
**63170 (CC), 63150 (IPS) - Bulk Packed**  
**(Bulk packed 12 per carton)**

**NOTE: See reverse side  
for illustrated parts**



## CRITICAL DIMENSIONS

(DO NOT SCALE)