

PROJECT: _____	UNIT TAG: _____	QUANTITY: _____
REPRESENTATIVE: _____	TYPE OF SERVICE: _____	DATE: _____
ENGINEER: _____	SUBMITTED BY: _____	DATE: _____
CONTRACTOR: _____	APPROVED BY: _____	DATE: _____
	ORDER NO.: _____	DATE: _____

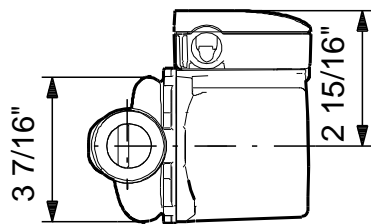
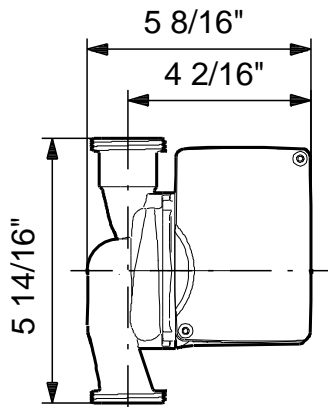


UP 15-29 SU

Circulator pumps

Product photo could vary from the actual product

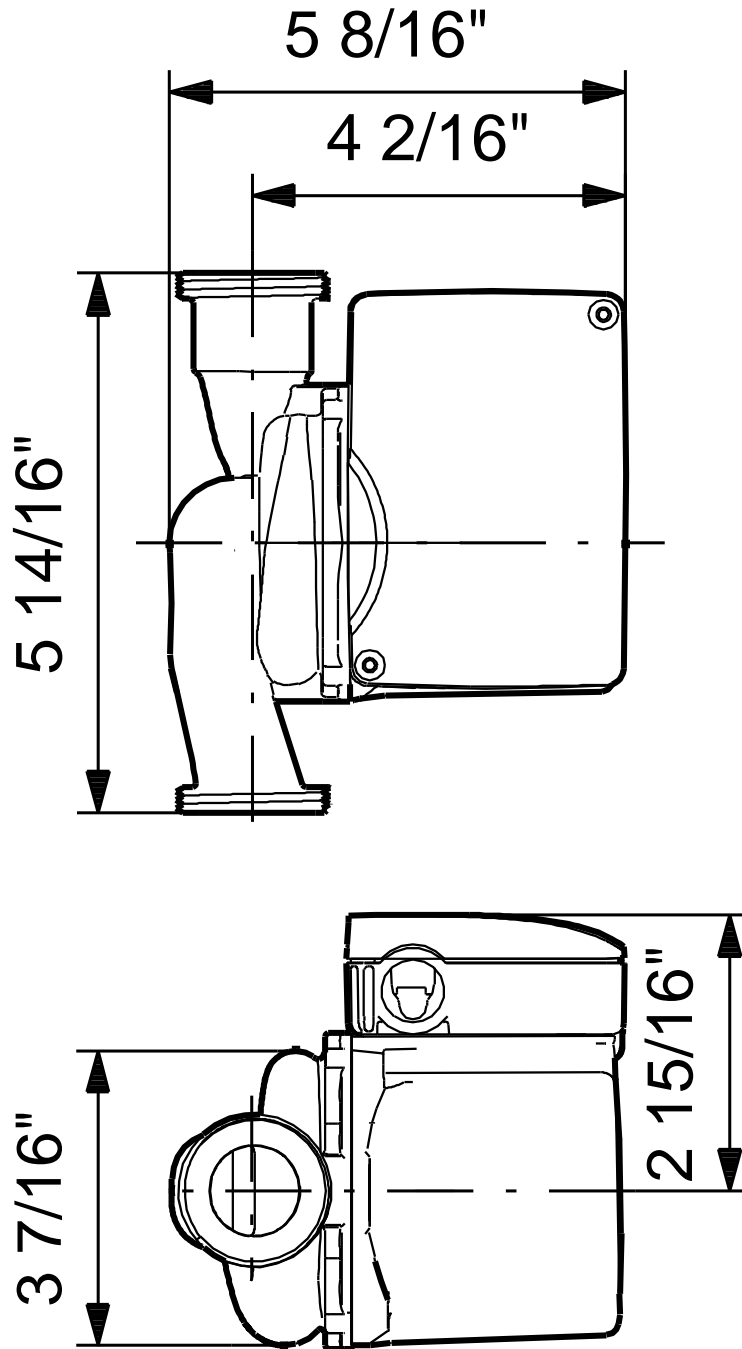
Conditions of Service	Pump Data	Motor Data
Flow: _____	Maximum operating pressure: 145 psi	Max. power input: 87 W
Head: _____	Liquid temperature range: 35.6 .. 230 °F	Rated power - P2: 0.121 HP
Efficiency: _____	Maximum ambient temperature: 104 °F	Rated voltage: 115 V
Liquid: _____	Approvals: UL, CSA	Main frequency: 60 Hz
Temperature: _____	Type of connection: S.S. Union	Insulation class: F
NPSH required: _____	Flange standard: USA Threaded	Motor protection: Contact
Viscosity: _____	Pipe connection: 1 1/4" NPSM	Thermal protection: internal
Specific Gravity: _____	Product number: 59896775	



Materials:

Pump housing: Stainless steel
DIN W.-Nr. 1.4301

Impeller: Composite, PES



Note! All units are in [mm] unless others are stated.
Disclaimer: This simplified dimensional drawing does not show all details.