



CLOSET FLANGE SPACERS TECHNICAL SPECIFICATION

Job Name _____	Item # _____
Location _____	
Engineer _____	Contractor _____
PO # _____	Tag _____
Representative _____	

SPECIFICATIONS

Oatey Closet Flange Spacers shall build up existing closet flanges when new or replacement flooring leaves the flange below grade. Each spacer include four open slots, six screw holes and two bolt notches for installation flexibility.

Spacers shall be stacked (maximum of 3 spacers high) and secured using PVC solvent cement, silicone or toilet bolts.

APPLICATION / USES

- Build up existing closet flange when new or replacement flooring leaves flooring below grade.

PHYSICAL PROPERTIES

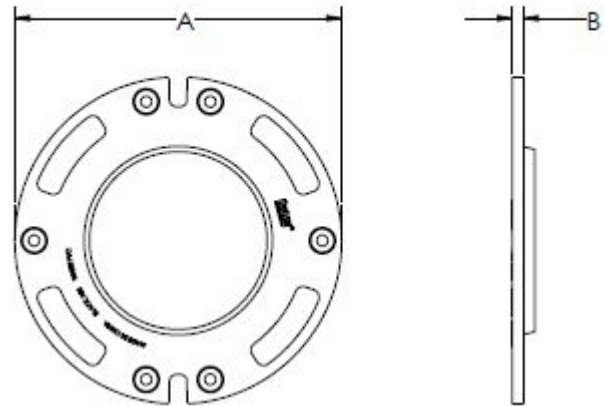
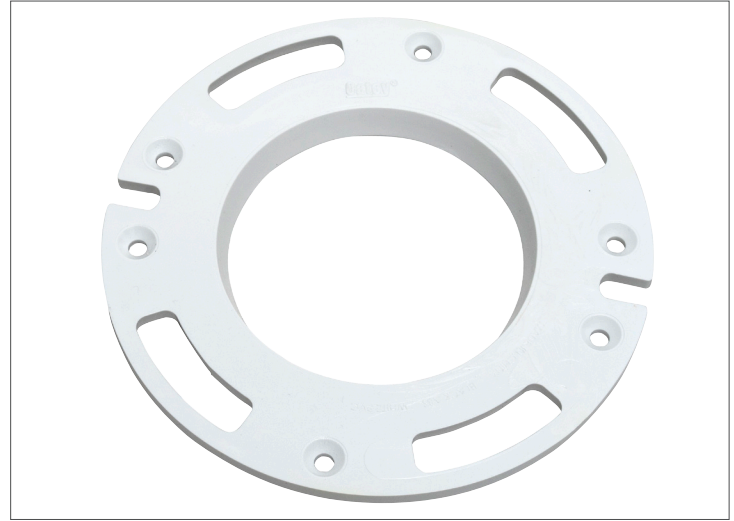
Material	PVC Plastic
Color	White

DIMENSIONS

		[A]: O.D.	[B]: Thickness
43519	1/4" Closet Flange Spacer	6.96"	0.24"
43645	1/2" Closet Flange Spacer Kit	6.94"	0.44"
43646	1/2" Closet Flange Spacer	6.94"	0.44"

PRODUCT SELECTOR

CLOSET FLANGER SPACERS			
✓	Product Number	Description	Ctn. Qty
	43519	1/4" Closet Flange Spacer	12
	43645	1/2" Closet Flange Spacer Kit - includes 1/2" Spacer, two gaskets, toilet bolts and shims	24
	43646	1/2" Closet Flange Spacer	12



Access BIM/Revit content through www.oatey.com