

PFCVBD

Copper Bonded Steel Water Line Support



Product Features

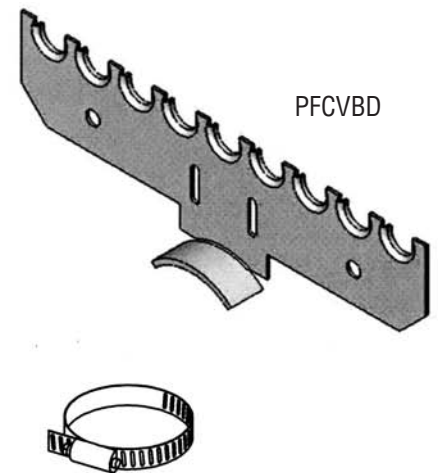
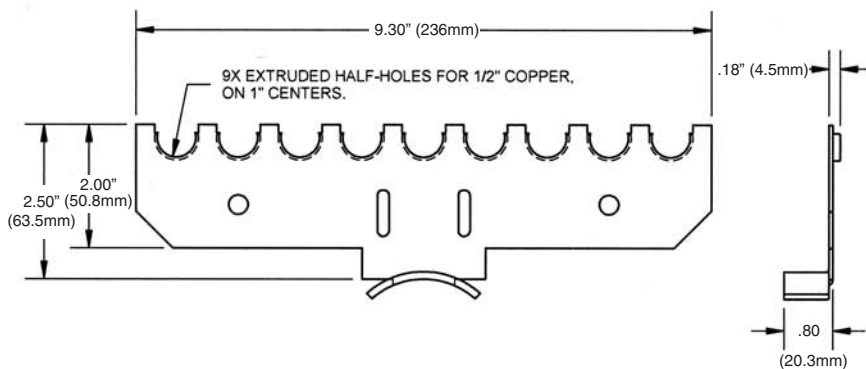
- 16 gauge bonded copper steel
- 1/2" (12.7mm) notches on 1" (25.4mm) centers
- Fits within a 3 1/2" (88.9mm) wall
- Positions water supplies for lavatories and other fixtures
- 4" (101.6mm), 6" (152.4mm) or 8" (203.2mm) centers



PFCVBD

No.	Description	Box Qty.
PFCVBD	Bonded Copper Water Line Support	50

Product Specifications



PFCVBD

4" (101.6mm) Stainless Steel Band

Installation Instructions

- Mount to the vertical or waste pipe with the self-locking 4" stainless steel band using the isolating felt.
- Solder copper tubing to the bracket. Heat the pipe, not the bracket.

