

# TECHNICAL SPECIFICATIONS



## TST-3360

**MODEL NUMBER 105215**

DIMENSIONS: 60" x 33" x 76 1/2" Fiberglass



### STANDARD FEATURES

- One-piece gelcoated fiberglass tub-shower with 6 in. simulated tile pattern
- Built-in back wall shelves and integrated soap dish
- Textured floor
- Standard clear acrylic bar
- Right or left-hand drain
- Optional unique feature: Above-the-Floor Rough
- 14 3/4" deep sump
- Bottom bathing well : 47" L x 21 3/4" W

### UNIQUE FEATURES

- Above-the-floor rough (AFR)

### OPTIONS

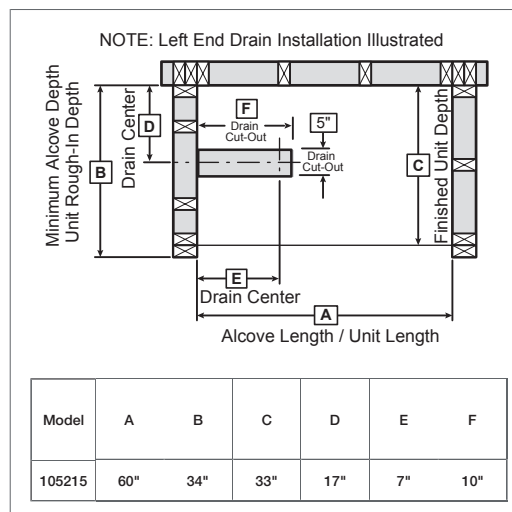
- None

### SYSTEMS

- None

### DOOR SELECTION

Combine with MAAX's complete shower door offering visit [www.maax.com](http://www.maax.com)



Project : .....

Contractor : .....

AKER Representative : ..... Tel : .....

Date : .....

### CERTIFICATIONS

AKER products adhere to one or more of the following certifications:



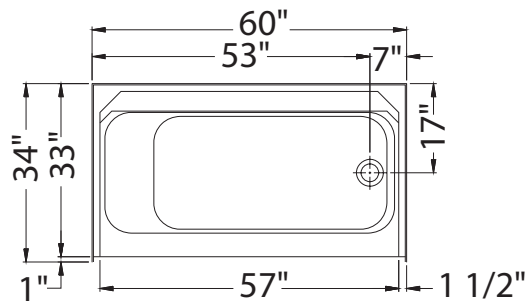
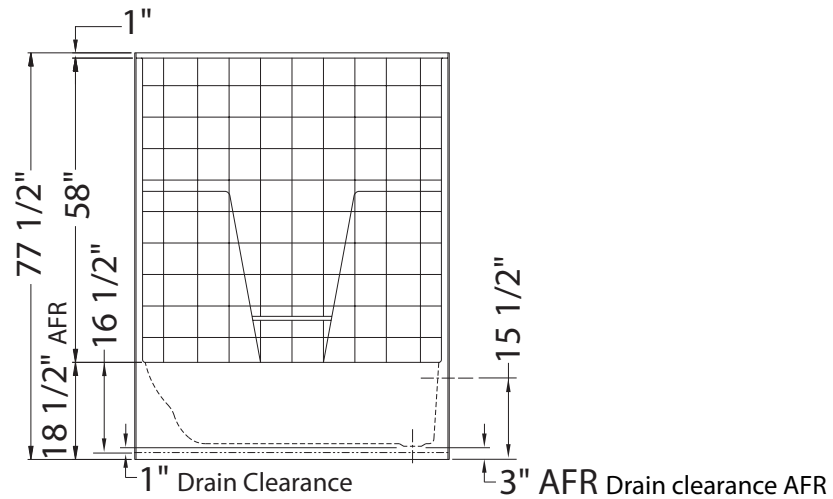
# TECHNICAL SPECIFICATIONS



## TST-3360

MODEL NUMBER 105215

### TECHNICAL DRAWINGS



All dimensions are approximate. Structure measurements must be verified against the unit to ensure proper fit.