

The Pendant V™

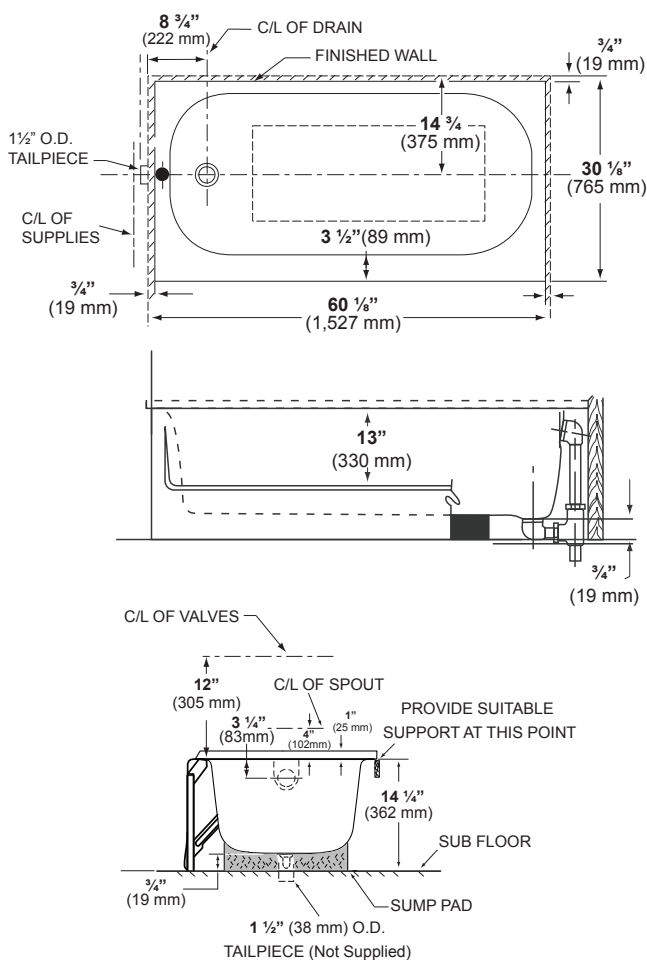


 BRIGGS®

The Pendant V™

60" x 30" x 14-1/4"
Steel Bathtub

2502 / 2503 / 2504
2505 / 2604 / 2605



Dimensions may vary (+) or (-) 1/4". Dimensions shown in parentheses are in millimeters: 25.4 mm = 1 inch.
 Note: Fixture dimensions are nominal and conform with dimension and performance requirements of ASME/ANSI standards A112.19.1-2008 / CSA B45.2-08. Dimension subject to change or cancellation without notice. Briggs is not responsible for the use of superceded or voided specification information.



FEATURES

- Porcelain-enameled steel
- Durabrace® diagonal brace
- Foam bottom support that provides sound deadening
- Continuous tile flange with rounded, watertight corners to keep water in
- Available as slip-resistant
- ADA Compliant
- One-year warranty

AVAILABLE COLORS*



WHITE (130)



BISCUIT (235)



BONE (733)

* Models 2604 and 2605 only available in white.

SPECIFICATIONS

- Model 2502: Plain bottom bathtub with right-hand outlet, 82 lbs
- Model 2503: Plain bottom bathtub with left-hand outlet, 82 lbs
- Model 2504: Slip-resistant bottom bathtub with right-hand outlet, 82 lbs
- Model 2505: Slip-resistant bottom bathtub with left-hand outlet, 82 lbs
- Model 2604: Slip-resistant bottom bathtub with no overflow and right-hand outlet, 82 lbs
- Model 2604: Slip-resistant bottom bathtub with no overflow and left-hand outlet, 82 lbs

INSTALLATION

- Installation instructions supplied
- Plumber note: Provide stringer or other wall support to brace the deck where it meets the wall

BRIGGS®

(800) 888-4458

www.briggsindustries.com