

TOLCO Fig. 4A - pipe clamp for sway bracing

Size Range: 2 1/2" (65mm) thru 8" (200mm) pipe. For sizes smaller than 2 1/2" (65mm) use Fig. 4LA.

Material: Steel

Function: For bracing pipe against sway and seismic disturbance.

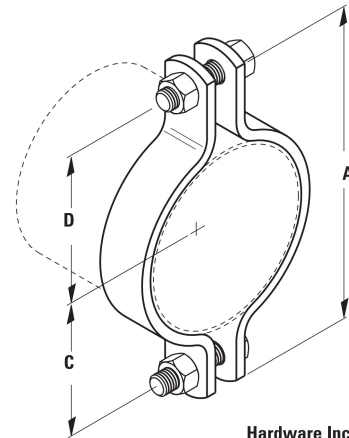
Approvals: Underwriters Laboratories Listed in the USA and Canada (cULus) 2 1/2" (65mm) thru 8" (200mm).

Installation: Fig. 4A is the "braced pipe" attachment component of a longitudinal or riser brace assembly. It is intended to be combined with the "bracing pipe" and our transitional and structural attachment component(s) to form a complete bracing assembly. NFPA 13 guidelines should be followed.

To Install: Place the Fig. 4A over the pipe to be braced. Attach our transitional fitting, either Fig. 980, 910, 909, or 990 to the clamp ears. Tighten bolts and nuts; torque requirement is a minimum of 50 lbs•ft (68N•m) per MSS-SP-58 (2009). Transitional fitting attachment can pivot for adjustment to proper brace angle.

Finish: Plain or Electro-Galvanized

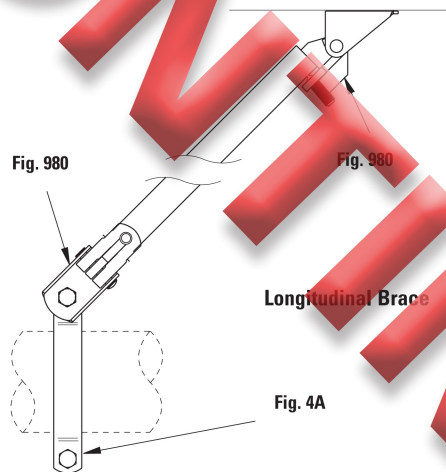
Order By: Part number and finish



Hardware Included



For
Lateral Brace
Refer to 4LA



Longitudinal Brace

Fig. 4A

Part No.	Pipe Size in. (mm)	A in. (mm)	C in. (mm)	D in. (mm)	Bolt Size	Max. Horizontal Design Load (cULus) lbf (kN)	Approx. Wt./100 lbs. (kg)
4A-2 1/2	2 1/2" (100)	7" (177.8)	2 11/16" (68.3)	3" (76.2)	1/2"-13	1000 (4.45)	134 (60.8)
4A-3	3" (80)	7 1/2" (190.5)	3" (76.2)	3 5/16" (84.1)	1/2"-13	1000 (4.45)	150 (69.0)
4A-4	4" (100)	8 1/2" (215.9)	3 3/8" (85.7)	3 11/16" (93.7)	1/2"-13	1600 (7.11)	221 (100.2)
4A-5	5" (125)	9 3/4" (247.6)	3 7/8" (98.4)	4 3/8" (111.1)	1/2"-13	1600 (7.11)	253 (114.7)
4A-6	6" (150)	11 1/2" (292.1)	5" (127.0)	5 1/8" (130.2)	1/2"-13	2015 (8.96)	513 (232.7)
4A-8	8" (200)	13 1/4" (336.5)	6 1/16" (169.9)	6 1/8" (155.6)	1/2"-13	2015 (8.96)	601 (272.6)

Eaton's B-Line series seismic bracing components are designed to be compatible only with other B-Line series bracing components, resulting in a listed seismic bracing assembly. Eaton B-Line Division warranty for seismic bracing components will be the warranty provided in Eaton B-Line Division standard terms and conditions of sale made available by Eaton, except that, in addition to the other exclusions from Eaton B-Line Division warranty, Eaton makes no warranty relating to B-Line series seismic bracing components that are combined with products not provided by Eaton.

All dimensions in charts and on drawings are in inches. Dimensions shown in parentheses are in millimeters unless otherwise specified.