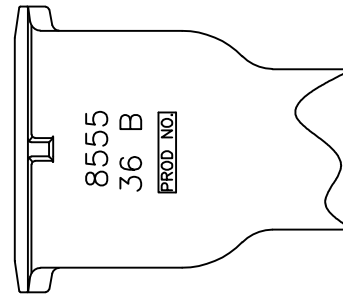
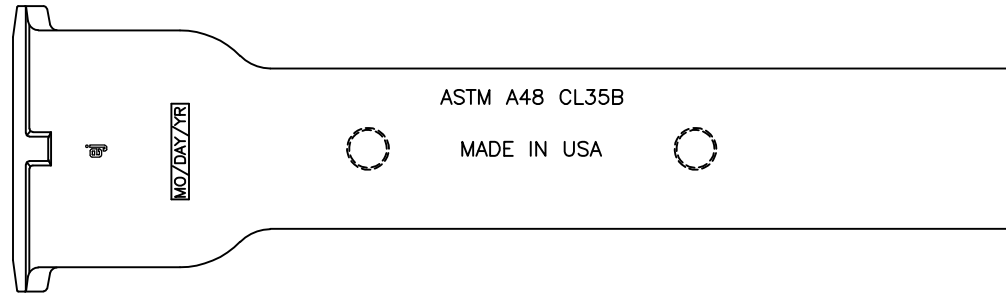


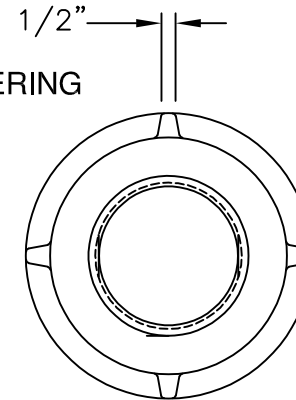
# 8555 Valve Box Bottom



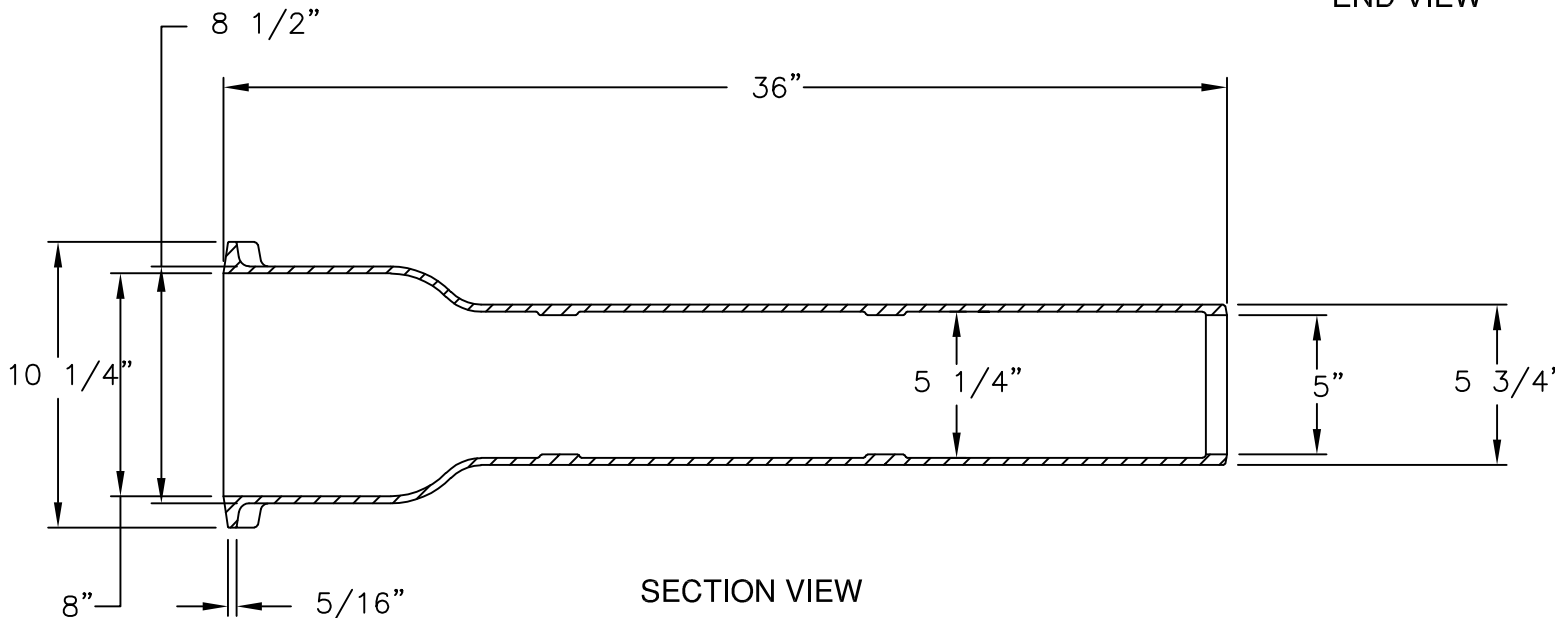
VIEW OF BACK SIDE LETTERING



PLAN VIEW



END VIEW



SECTION VIEW

**Product Number**

85556036

**Design Features**

- Materials  
Gray Iron (CL35B)
- Design Load  
Heavy Duty
- Open Area  
n/a
- Coating  
Dipped
- √ Designates Machined Surface

**Certification**

- ASTM A48
- 
- 
- Country of Origin: USA

**Drawing Revision**

02/15/2002 Designer: TCL  
5/14/2021 Revised By: DJH

**Disclaimer**

Weights (lbs./kg) dimensions (inches/mm) and drawings provided for your guidance. We reserve the right to modify specifications without prior notice.

CONFIDENTIAL: This drawing is the property of EJ GROUP, Inc., and embodies confidential information, registered marks, patents, trade secret information, and/or know how that is the property of EJ GROUP, Inc. Copyright © 2011 EJ GROUP, Inc. All rights reserved.

**Contact**

800 626 4653  
ejco.com