



Man's Lav™

Under-mount Bathroom Sink

K-2885-8U

Features

- KOHLER® cast iron.
- Under-mount.
- Generously sized rectangular sink.
- With overflow.
- Can accommodate single-hole center-mount or widespread faucet.
- 8-inch centers.
- 24" (610 mm) x 13" (330 mm)

Recommended Accessories

K- 8998 P-Trap

Components

Additional included component/s: Basin clamp assembly.



ADA

Codes/Standards

ASME A112.19.1/CSA B45.2

ADA

ICC/ANSI A117.1




KOHLER® Lifetime Limited Warranty for Cast Iron Components

See website for detailed warranty information.

Available Color/Finishes

Color tiles intended for reference only.

Color	Code	Description
-------	------	-------------

	0	White
	96	Biscuit
	47	Almond

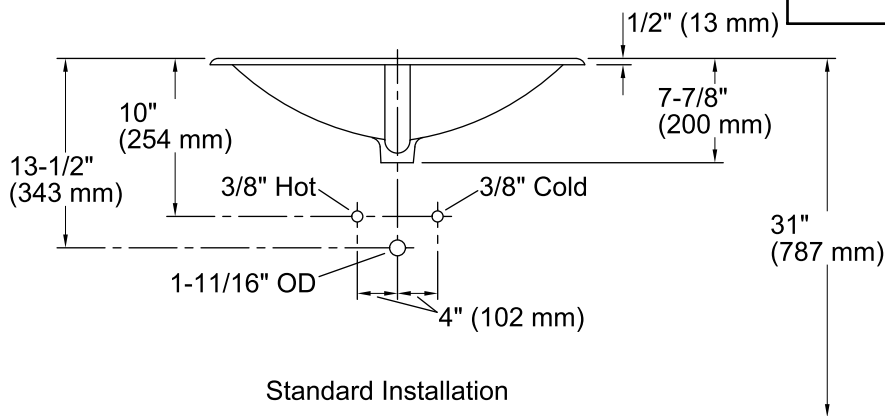
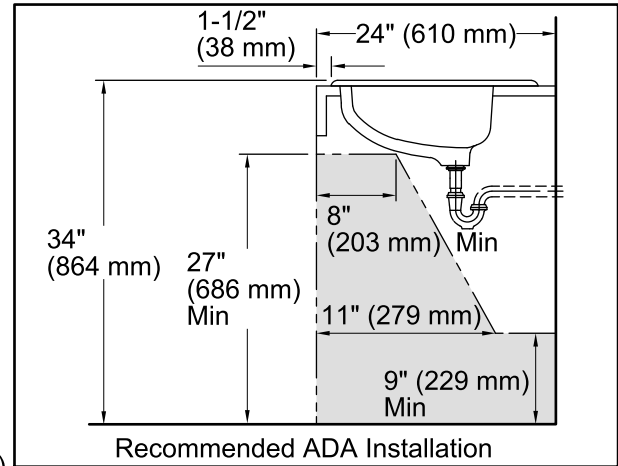
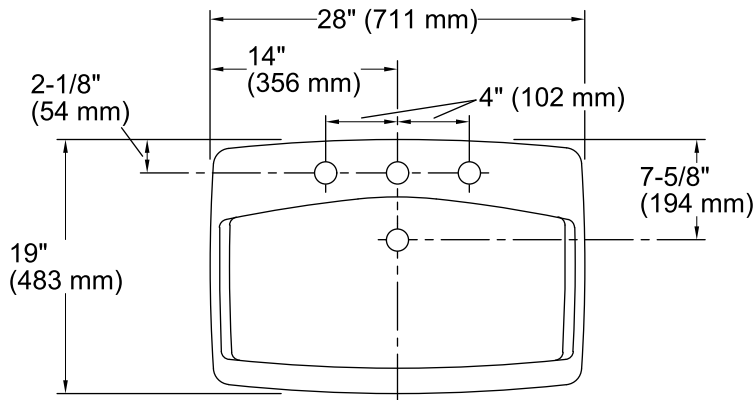
USA/Canada: 1-800-4KOHLER (1-800-456-4537)

Kohler Co. reserves the right to make revisions without notice to product specifications.

For the most current Specification Sheet, go to www.kohler.com.

3-28-2016 02:37

THE BOLD LOOK
OF **KOHLER**®



Technical Information

All product dimensions are nominal.

Bowl configuration: Single

Installation: Under-mount

Bowl area (Only) Length: 24" (610 mm)
Width: 13" (330 mm)
Water depth: 4-1/4" (108 mm)

Number of deck holes: 3

Faucet hole(s): 2-3/8" (60 mm)

Drain hole: 1-3/4" (44 mm)

Template: Under-mount, 114408-7, required, included

Notes

Install this product according to the installation guide.

ADA compliant when installed to the specific requirements of these regulations.