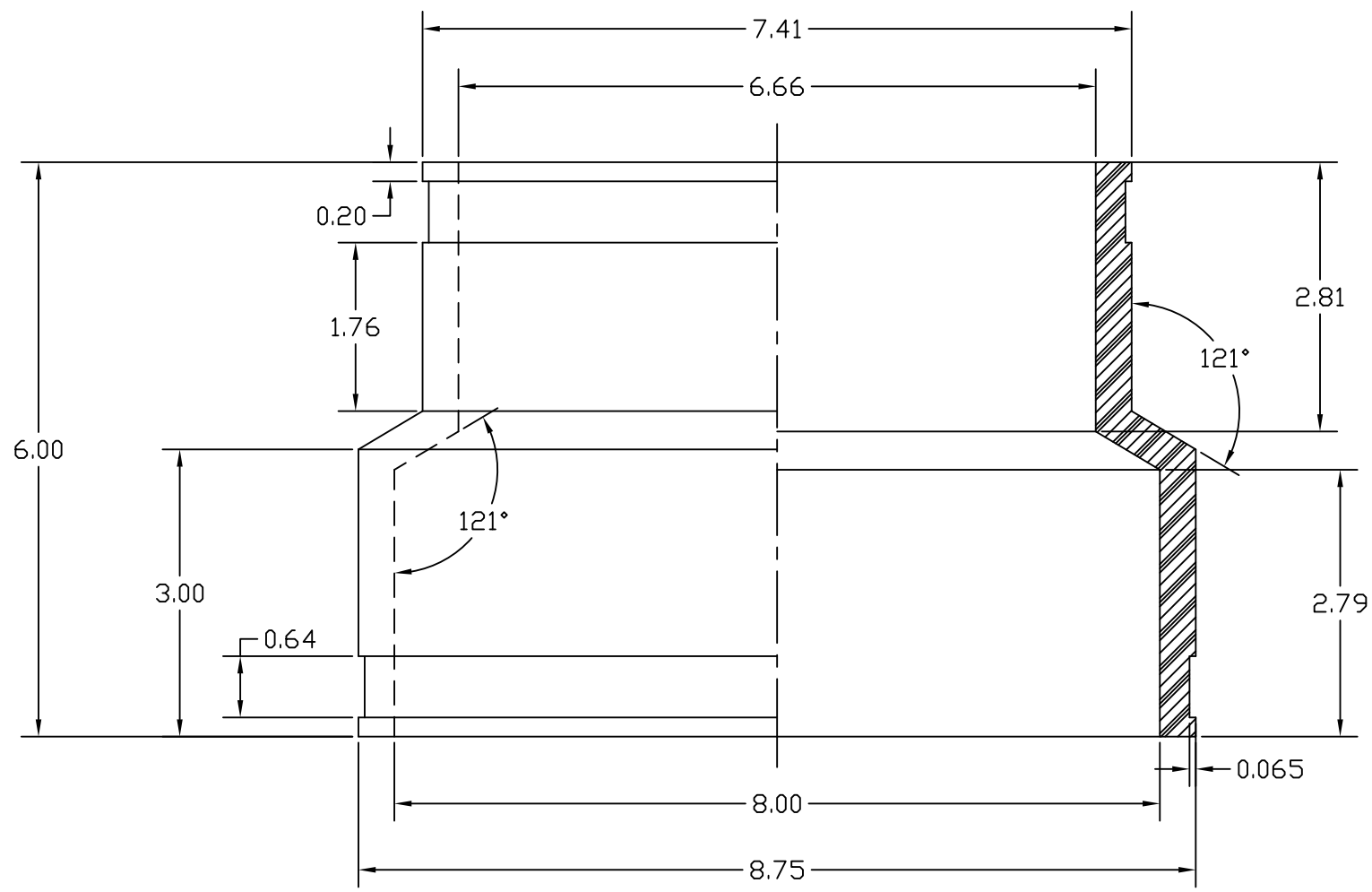


REVISIONS				
ZONE	REV	DESCRIPTION	DATE	APPROVED



Notes

1. Gasket; Black Plasticized PVC, 65 Duro Shore A, Conforming to ASTM D 5926
2. Clamps; 300 Series St. Stl., Installation Torque 60"lbs.
3. Coupling: Complies with ASTM C 1173

UNLESS OTHERWISE SPECIFIED: DIMENSIONS ARE IN INCHES TOLERANCES		FERNCO	
DECIMALS	ANGULAR		
.XX ± .06	± 0.5°	6" PVC, CI to 6" W. CST. CLAY	
.XXX ± .032		SIZE	FSCM NO.
DO NOT SCALE DRAWING		DWG NO. 1002-66WC	
DRAWN	DATE	WEST COAST CLAY	
AJD	21Jan04		
CHECKED			