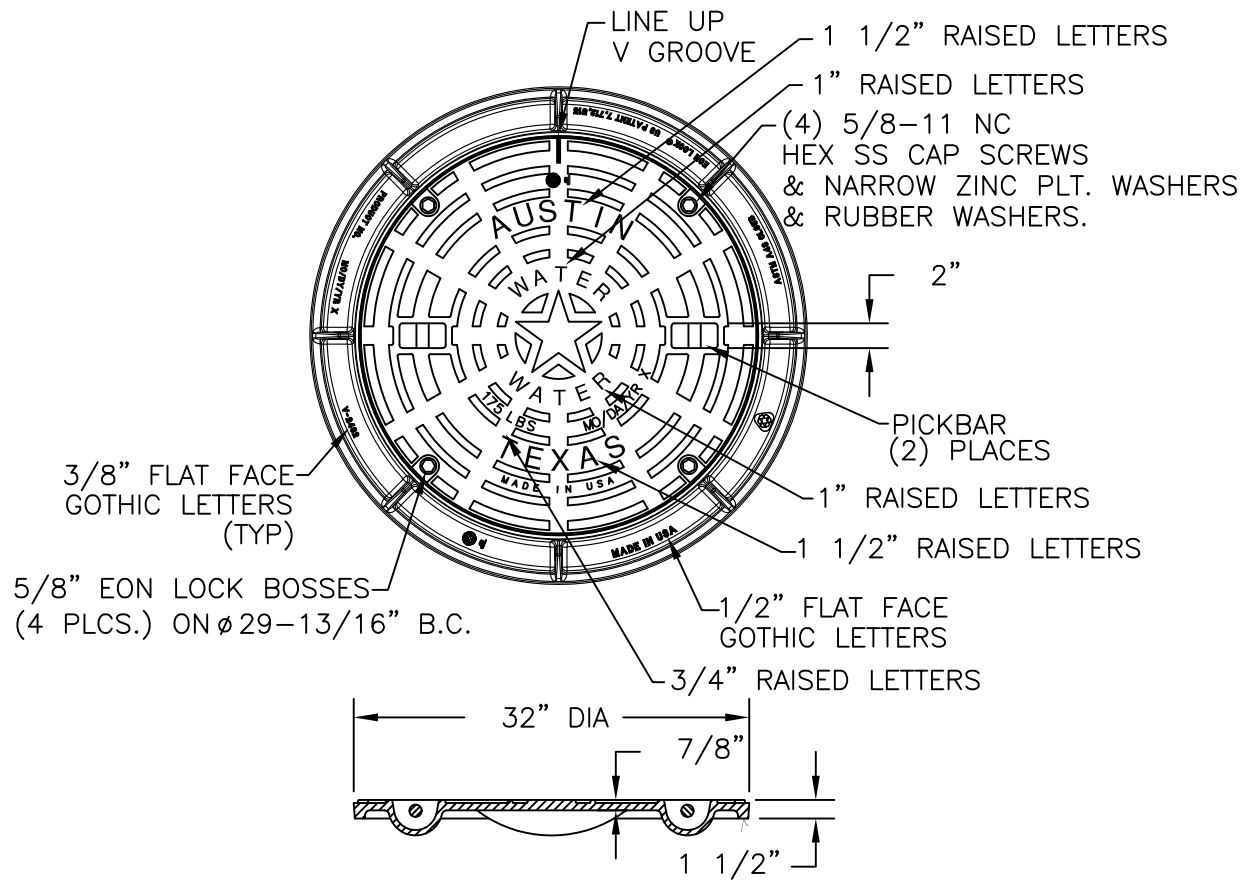
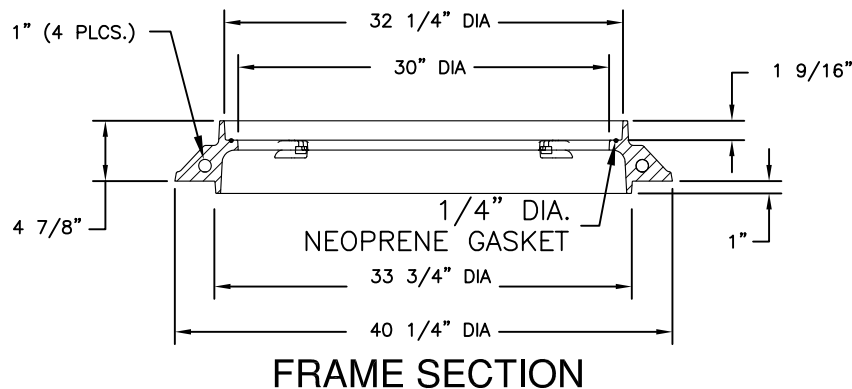


V2432 V2432 Assembly



CROSS SECTION



FRAME SECTION

Product Number

42432085

Design Features

- Materials
 - Frame Gray Iron (CL35B)
 - Cover Ductile Iron (80-55-06)

- Design Load Heavy Duty
- Open Area n/a
- Coating Undipped
- √ Designates Machined Surface

Certification

- ASTM A48
-
- Country of Origin: USA

Major Components

42432010
42432051

Drawing Revision

06/30/2008 Designer: GAD
07/30/2013 Revised By: DVD

Disclaimer

Weights (lbs./kg) dimensions (inches/mm) and drawings provided for your guidance. We reserve the right to modify specifications without prior notice.

CONFIDENTIAL: This drawing is the property of EJ GROUP, Inc., and embodies confidential information, registered marks, patents, trade secret information, and/or know how that is the property of EJ GROUP, Inc. Copyright © 2012 EJ GROUP, Inc. All rights reserved.

Contact

800 626 4653
ejco.com