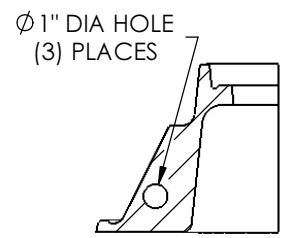
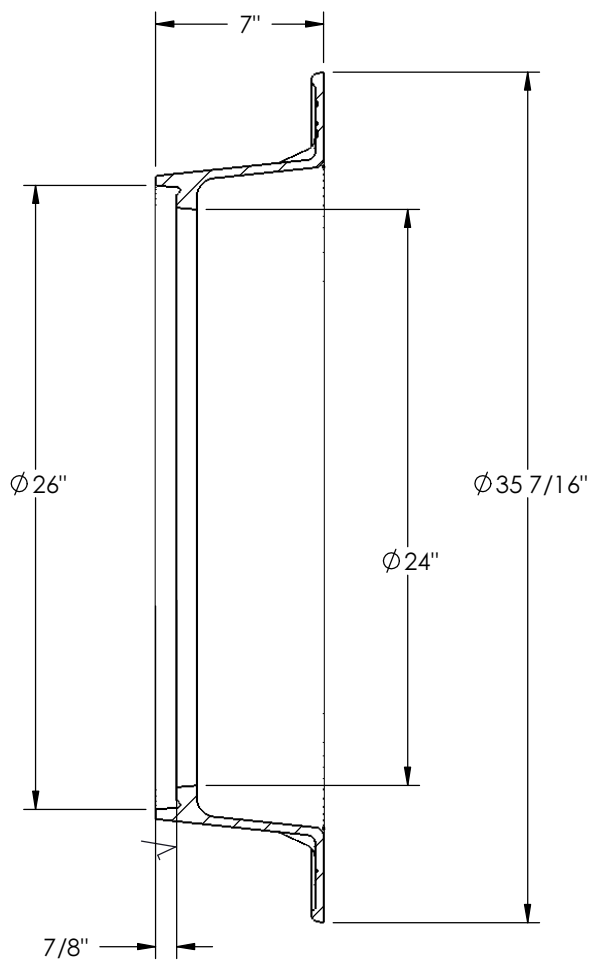
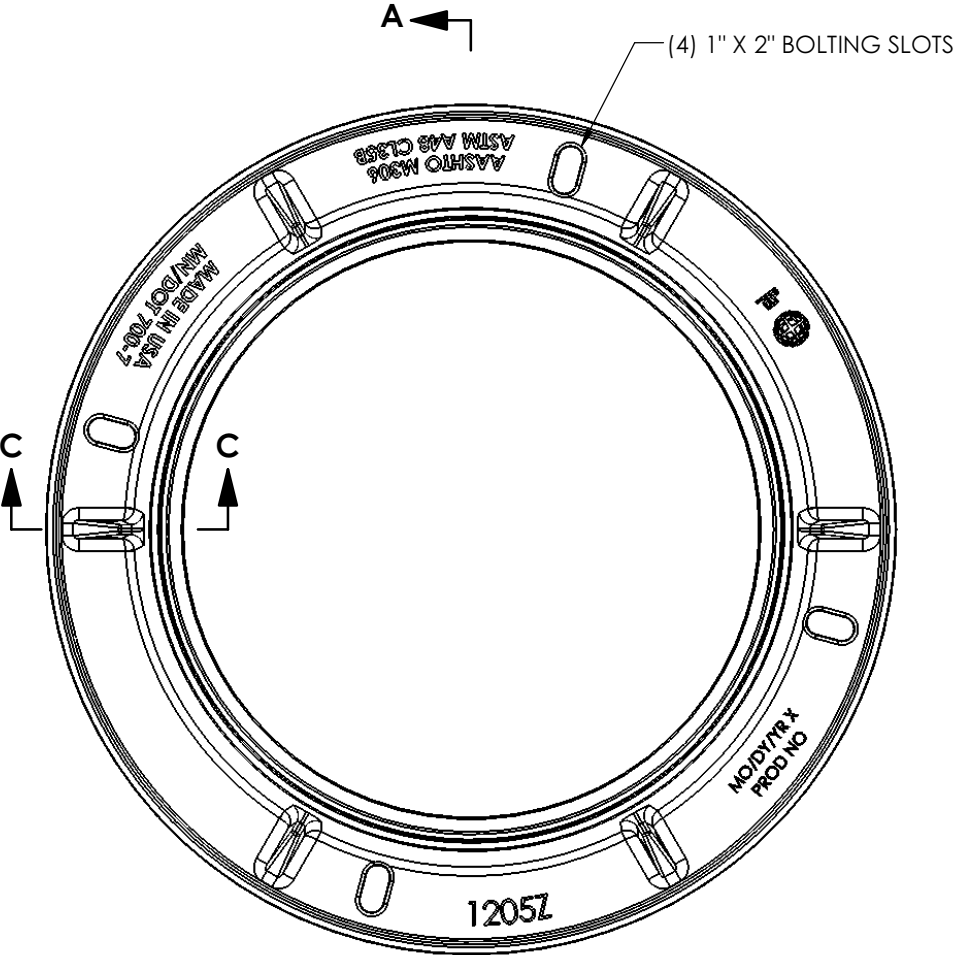


1205Z Frame



SECTION C-C
SCALE 1 : 8

SECTION A-A
SCALE 1 : 8

Product Number

00120511

Design Features

- Materials
Gray Iron (CL35B)
- Design Load
Heavy Duty
- Open Area
n/a
- Coating
Undipped
- √ Designates Machined Surface

Certification

- ASTM A48
- AASHTO M306
- Country of Origin: USA

Estimated Weight

118.0 lbs.

Drawing Revision

7/1/2008 Designer: SBB
4/17/2017 Revised By: MAH

Disclaimer

Weights (lbs/kg), dimensions (inches/mm) and drawings provided for your guidance. We reserve the right to modify specifications without prior notice.

CONFIDENTIAL: This drawing is the property of EJ Group, Inc. and embodies confidential information, registered marks, patents, trade secret information, and/or know how that is the property of EJ Group, Inc. Copyright © 2011 EJ Group, Inc. All rights reserved.

Contact

800 626 4653
ejco.com