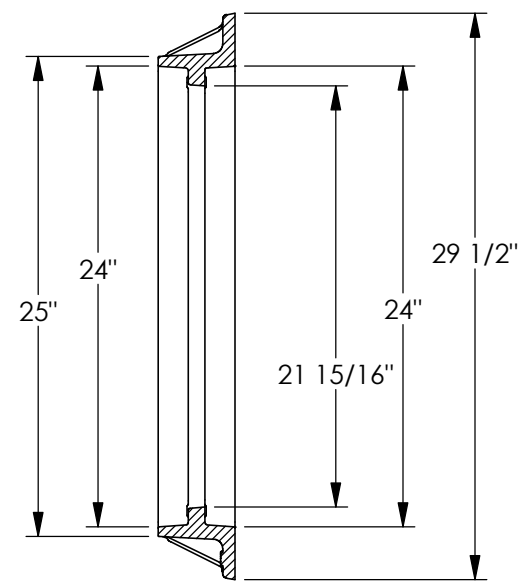
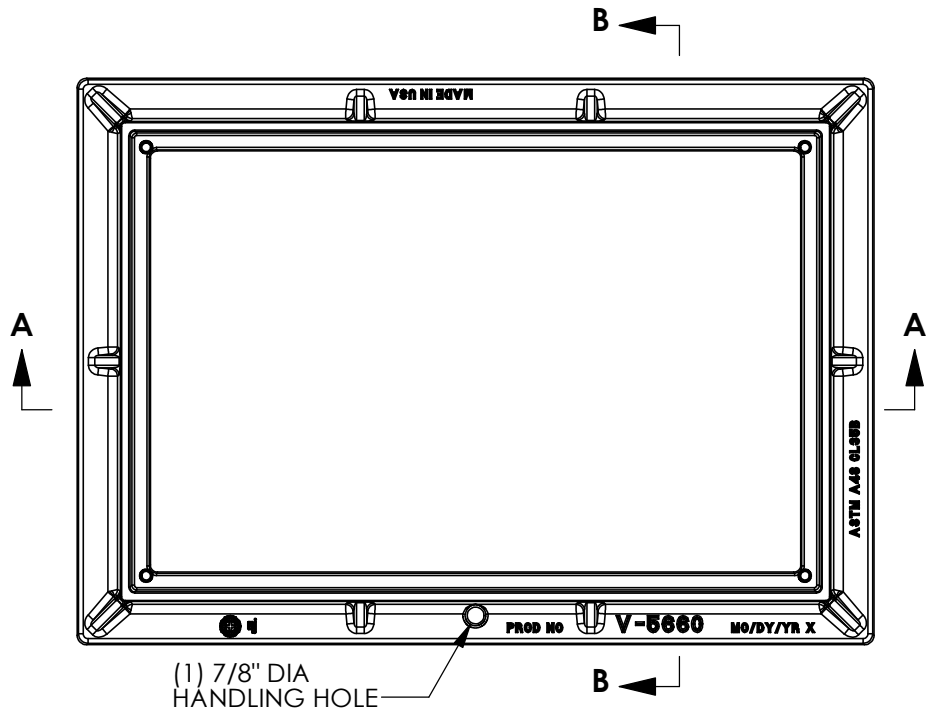
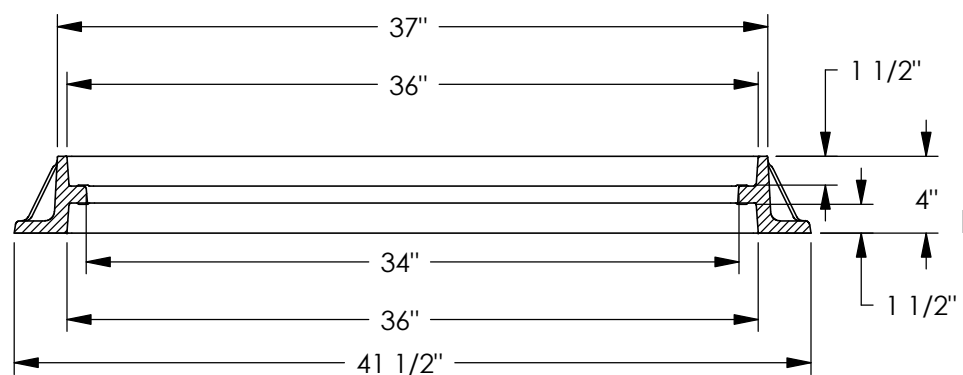


V5660 Frame



SECTION B-B



SECTION A-A

NOTE: FRAME IS REVERSIBLE AND CAN BE INSTALLED AS A TOP FLANGE UNIT.

Product Number

45660010

Design Features

- Materials
Gray Iron (CL35B)
- Design Load
Heavy Duty HS25
- Open Area
- Coating
Undipped
- √ Designates Machined Surface

Certification

- ASTM A48
-
- Country of Origin: USA

Drawing Revision

- 4/16/2002 Designer: SBB
- 1/18/2016 Revised By: DEF

Disclaimer

Weights (lbs/kg), dimensions (inches/mm) and drawings provided for your guidance. We reserve the right to modify specifications without prior notice.

CONFIDENTIAL: This drawing is the property of EJ Group, Inc. and embodies confidential information, registered marks, patents, trade secret information, and/or know how that is the property of EJ Group, Inc. Copyright © 2015 EJ Group, Inc. All rights reserved.

Contact

800 626 4653
ejco.com