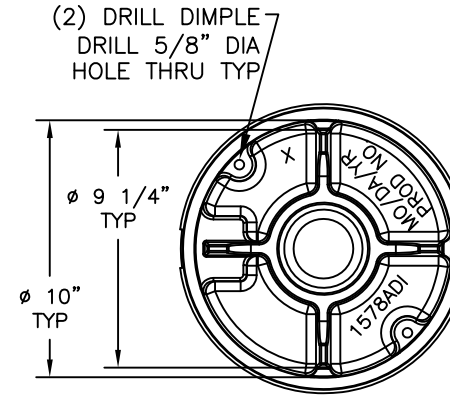
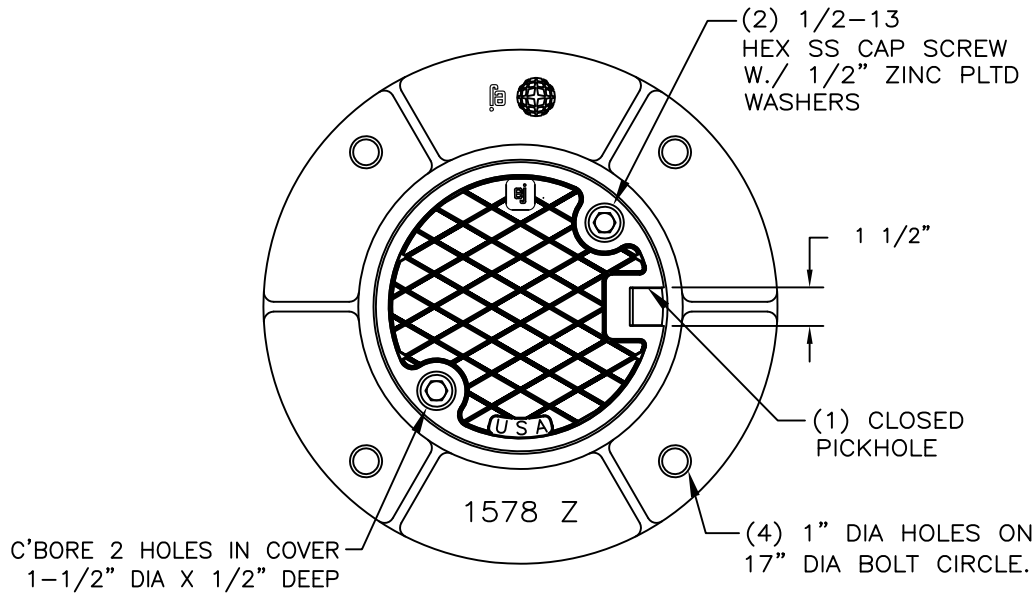
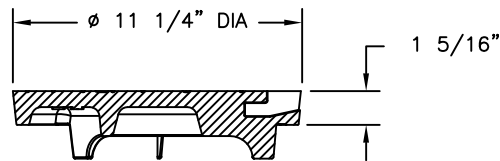


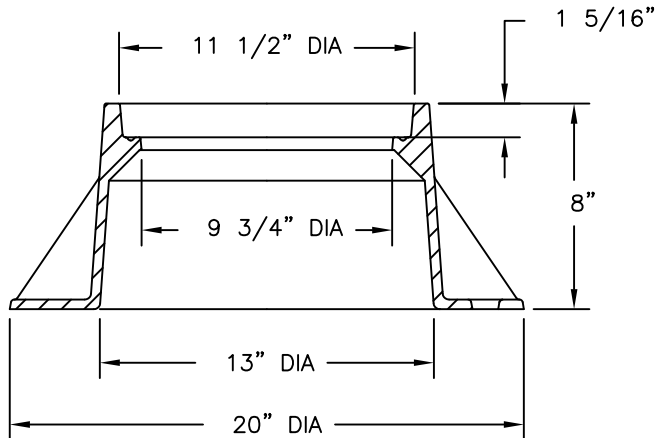
# 1578Z 1578A DI Assembly



**BOTTOM VIEW OF COVER**



**COVER SECTION**



**FRAME SECTION**

**Product Number**

**00157803**

**Design Features**

- Materials
  - Cleanout/Monument Box Frame  
Gray Iron (CL35B)
  - Cleanout/Monument Box Cover  
Ductile Iron (70-50-05)

- Design Load
  - Airport Extra Heavy Duty
- Open Area
  - n/a
- Coating
  - Dipped
- √ Designates Machined Surface

**Certification**

- ASTM A48
- ASTM A536
- Country of Origin: USA

**Major Components**

- 00157810
- 00157825

**Drawing Revision**

- 02/28/2007 Designer: SMH
- 11/27/2014 Revised By: DVD

**Disclaimer**

Weights (lbs./kg) dimensions (inches/mm) and drawings provided for your guidance. We reserve the right to modify specifications without prior notice.

CONFIDENTIAL: This drawing is the property of EJ GROUP, Inc., and embodies confidential information, registered marks, patents, trade secret information, and/or know how that is the property of EJ GROUP, Inc. Copyright © 2012 EJ GROUP, Inc. All rights reserved.

**Contact**

800 626 4653  
ejco.com