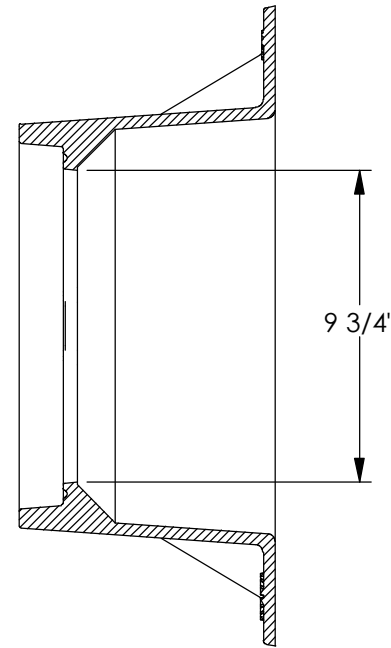
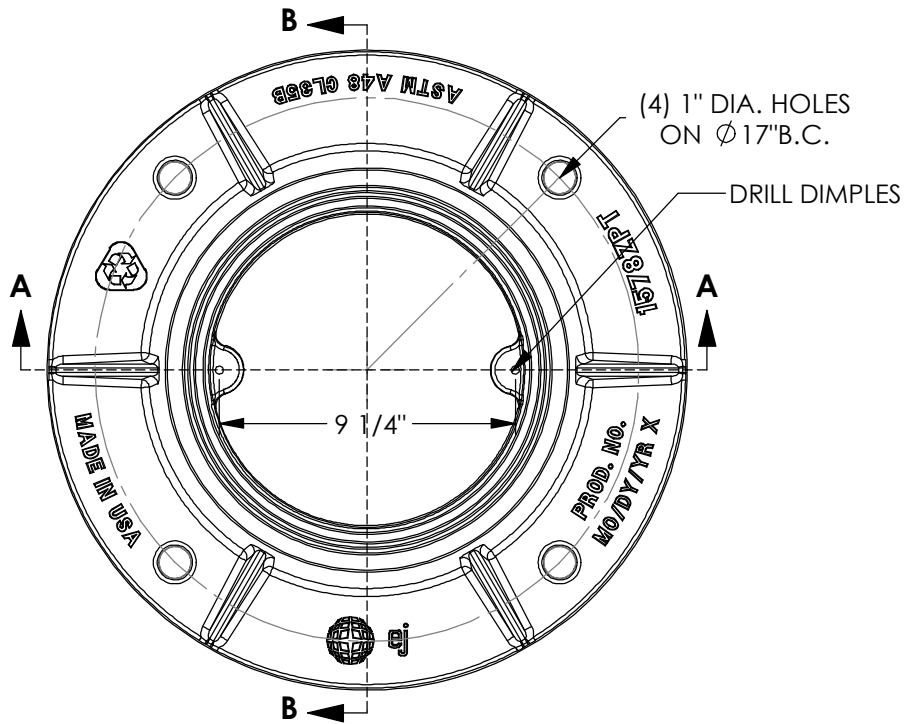
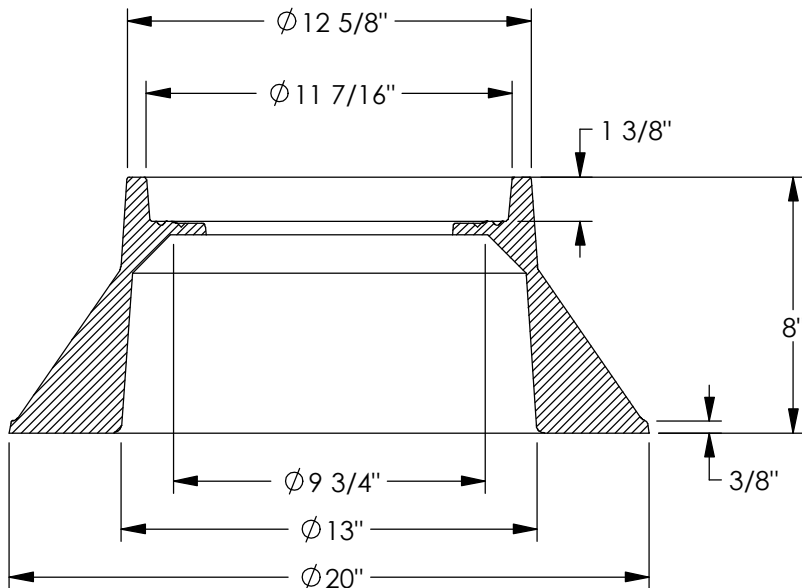


1578ZPT Frame



SECTION B-B



SECTION A-A

Product Number

00157810

Design Features

- Materials
Gray Iron (CL35B)
- Load Rating
Heavy Duty
- Open Area
n/a
- Coating
Dipped
- √ Designates Machined Surface

Certification

- ASTM A48
-
-
- Country of Origin: USA

Drawing Revision

11/06/2020 Designer: JIJ
Revised By:

Disclaimer

Weights (lbs/kg), dimensions (inches/mm) and drawings provided for your guidance. We reserve the right to modify specifications without prior notice.

CONFIDENTIAL: This drawing is the property of EJ Group, Inc. and embodies confidential information, registered marks, patents, trade secret information, and/or know how that is the property of EJ Group, Inc. Copyright © 2018 EJ Group, Inc. All rights reserved.

Contact

800 626 4653
ejco.com