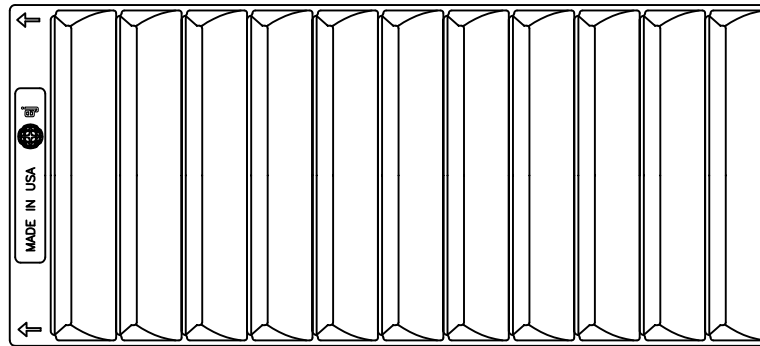
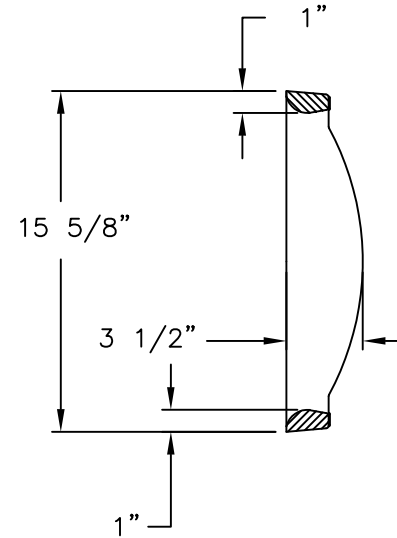


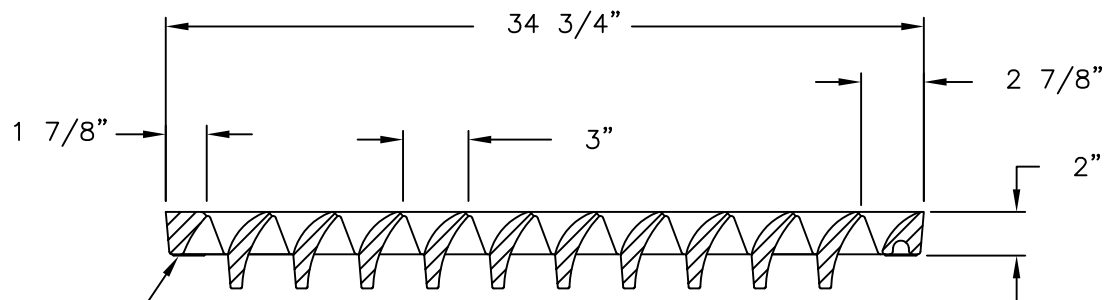
7505M3 Grate



GRATE TOP VIEW



GRATE SECTION



GRATE SECTION

LETTERING
7505M3
DATE TAG
PROD NO

Product Number
00750546

Design Features

- Materials
Gray Iron (CL35B)
- Design Load
Heavy Duty
- Open Area
245 sq in
- Coating
Undipped
- √ Designates Machined Surface

Certification

- ASTM A48
-
-
- Country of Origin: USA

Drawing Revision

12/01/2003 Designer: TCL
3/19/2014 Revised By: DAE

Disclaimer

Weights (lbs./kg) dimensions (inches/mm) and drawings provided for your guidance. We reserve the right to modify specifications without prior notice.

CONFIDENTIAL: This drawing is the property of EJ GROUP, Inc., and embodies confidential information, registered marks, patents, trade secret information, and/or know how that is the property of EJ GROUP, Inc. Copyright © 2012 EJ GROUP, Inc. All rights reserved.

Contact

800 626 4653
ejco.com