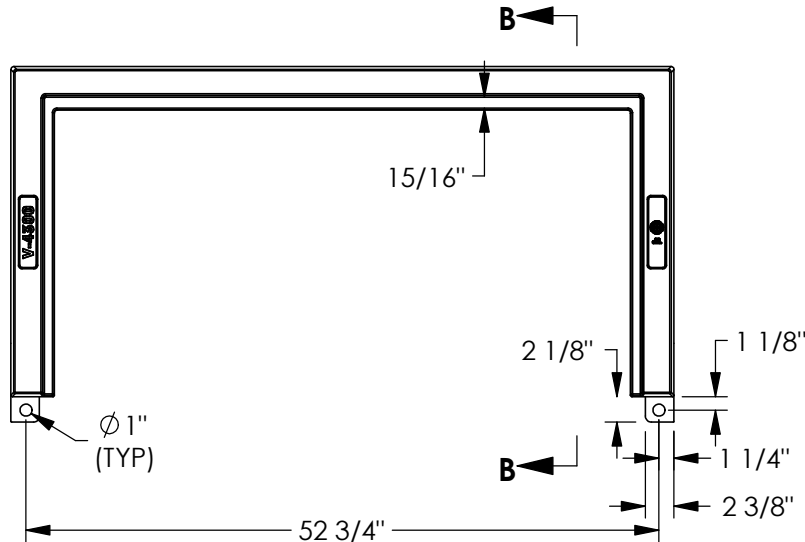
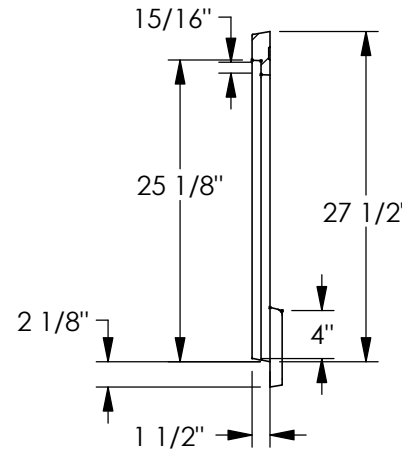


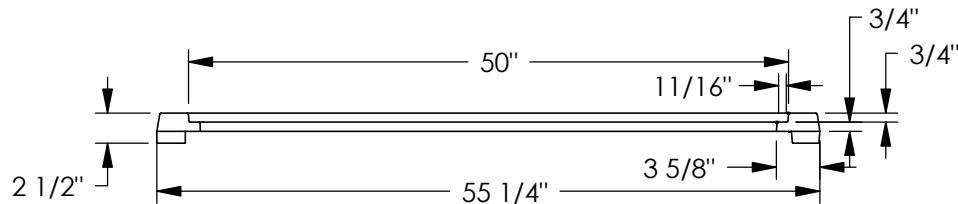
# V4300 Curb Inlet Frame



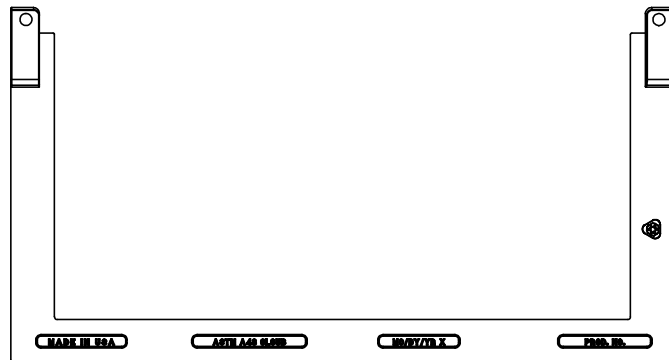
**TOP VIEW**



**SECTION B-B  
SCALE 1 : 16**



**FRONT VIEW**



**BOTTOM VIEW**

- NOTE: LOUISIANA DOTD
- MC-01 TYPE "H" FRAME

**Product Number**

44300010

**Design Features**

- Materials  
Gray Iron (CL35B)
- Design Load  
Heavy Duty
- Open Area  
n/a
- Coating  
Undipped
- √ Designates Machined Surface

**Certification**

- ASTM A48
- 
- 
- Country of Origin: USA

**Drawing Revision**

5/24/2010 Designer: SBB  
07/04/2017 Revised By: DVD

**Disclaimer**

Weights (lbs/kg), dimensions (inches/mm) and drawings provided for your guidance. We reserve the right to modify specifications without prior notice.

CONFIDENTIAL: This drawing is the property of EJ Group, Inc. and embodies confidential information, registered marks, patents, trade secret information, and/or know how that is the property of EJ Group, Inc. Copyright © 2013 EJ Group, Inc. All rights reserved.

**Contact**

800 626 4653  
ejco.com