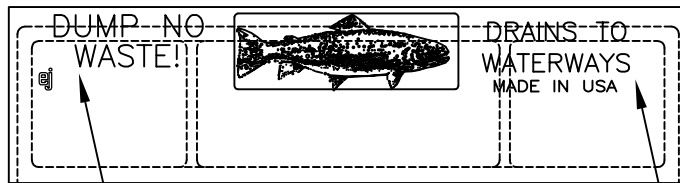


7010T1 Hood



3/4" SHARP FACE
GOTHIC

5/8" SHARP FACE
GOTHIC

CURB ADJUSTMENT FROM
3 1/2" TO 8"

Product Number

00701068

Design Features

- Materials
Gray Iron (CL35B)
- Design Load
Non-Traffic
- Open Area
n/a
- Coating
Dipped
- √ Designates Machined Surface

Certification

- ASTM A48
-
-
- Country of Origin: USA

Weight:

- 77.4 lbs

Drawing Revision

04/07/2003 Designer: JIJ
11/14/2016 Revised By: DAE

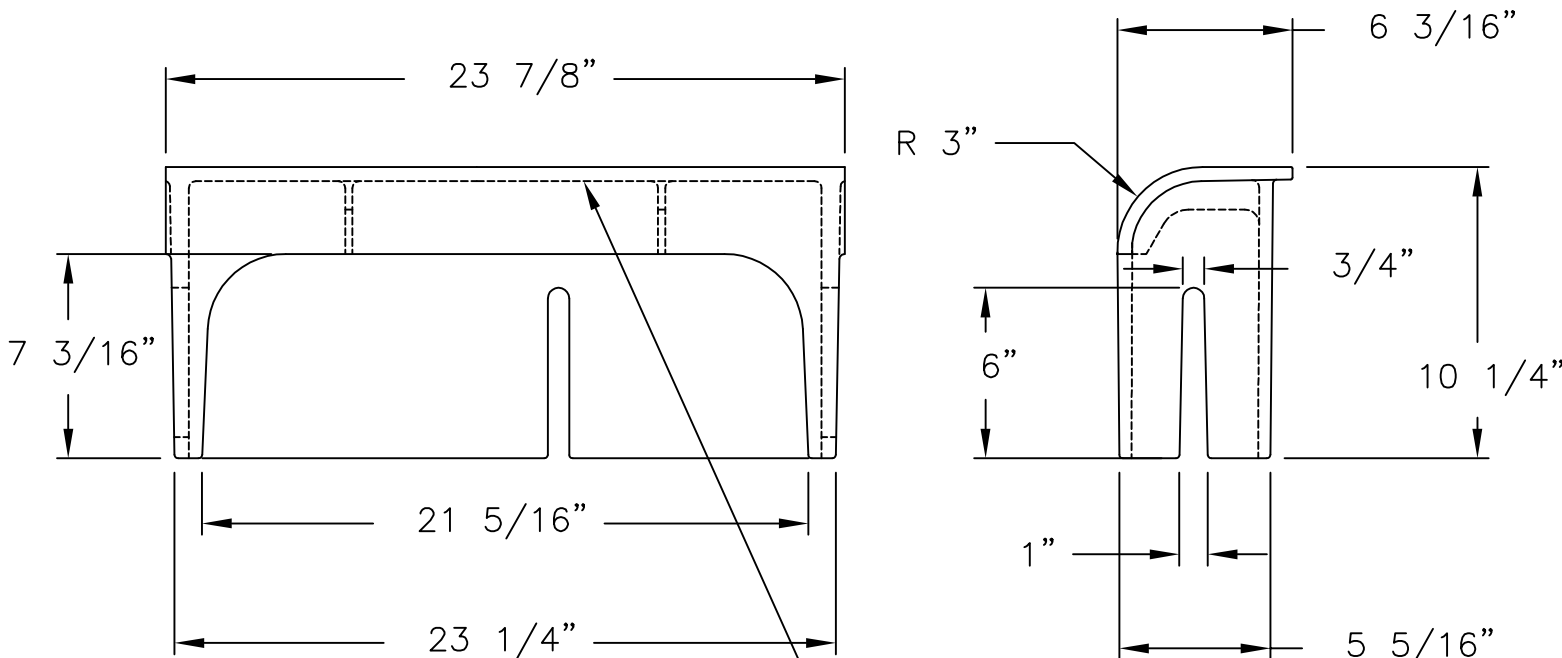
Disclaimer

Weights (lbs./kg) dimensions (inches/mm) and drawings provided for your guidance. We reserve the right to modify specifications without prior notice.

CONFIDENTIAL: This drawing is the property of EJ GROUP, Inc., and embodies confidential information, registered marks, patents, trade secret information, and/or know how that is the property of EJ GROUP, Inc. Copyright © 2012 EJ GROUP, Inc. All rights reserved.

Contact

800 626 4653
ejco.com



7010T1
DATE TAG
PROD NO.
ASTM A48
CL35B