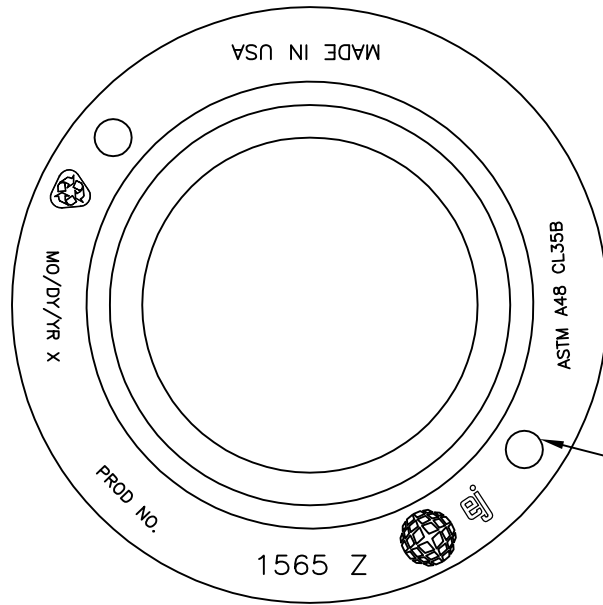
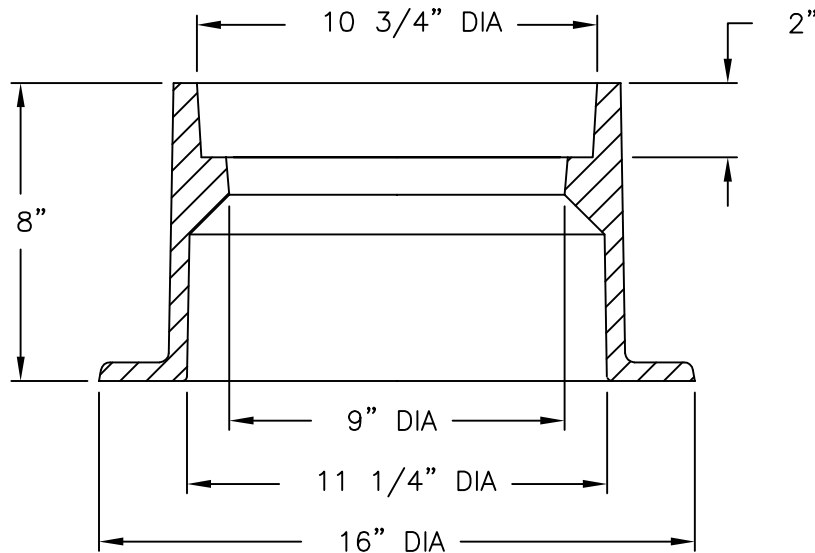


1565Z Cleanout/Monument Box Frame



(2) 1" DIA. (CORED)
THRU HOLES

PLAN VIEW



FRAME SECTION

Product Number

00156510

Design Features

- Materials
Gray Iron (CL35B)
- Design Load
Airport Extra Heavy Duty
- Open Area
n/a
- Coating
Dipped
- √ Designates Machined Surface

Certification

- ASTM A48
-
-
- Country of Origin: USA

Drawing Revision

10/15/2012 Designer: WDB
5/22/2017 Revised By: MAH

Disclaimer

Weights (lbs./kg) dimensions (inches/mm) and drawings provided for your guidance. We reserve the right to modify specifications without prior notice.

CONFIDENTIAL: This drawing is the property of EJ GROUP, Inc., and embodies confidential information, registered marks, patents, trade secret information, and/or know how that is the property of EJ GROUP, Inc. Copyright © 2012 EJ GROUP, Inc. All rights reserved.

Contact

800 626 4653
ejco.com