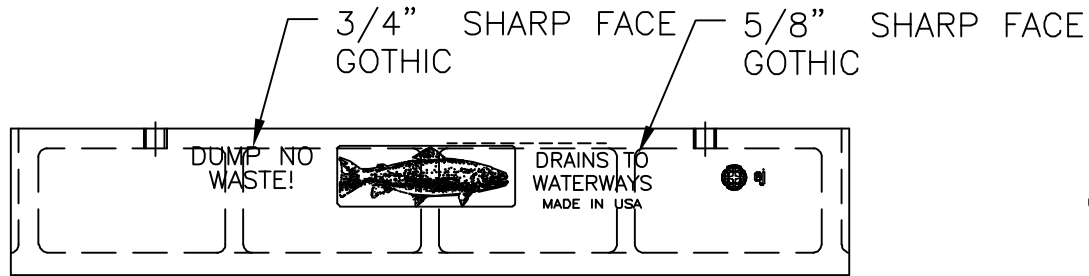
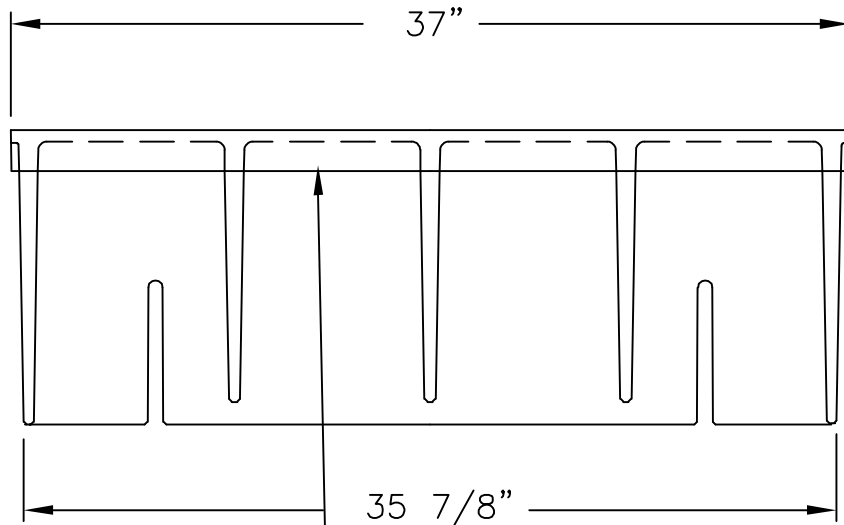


7030T4 Hood

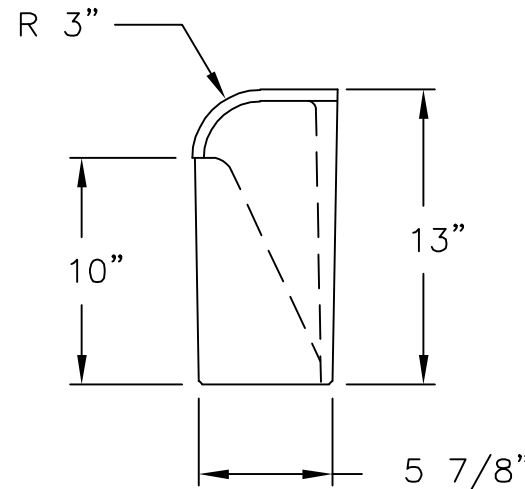


TOP VIEW

CURB ADJUSTMENT
6" TO 11"



FRONT VIEW



SIDE VIEW

ASTM A48 CL35B
RECYCLE TAG
PROD NO.
7030T4
DATE TAG

Product Number

00703086

Design Features

- Materials
Gray Iron (CL35B)
- Design Load
Heavy Duty
- Open Area
n/a
- Coating
Dipped
- √ Designates Machined Surface

Certification

- ASTM A48
-
-
- Country of Origin: USA

Drawing Revision

12/10/2003 Designer: DEW
5/7/2020 Revised By: MAH

Disclaimer

Weights (lbs./kg) dimensions (inches/mm) and drawings provided for your guidance. We reserve the right to modify specifications without prior notice.

CONFIDENTIAL: This drawing is the property of EJ GROUP, Inc., and embodies confidential information, registered marks, patents, trade secret information, and/or know how that is the property of EJ GROUP, Inc. Copyright © 2014 EJ GROUP, Inc. All rights reserved.

Contact

800 626 4653
ejco.com