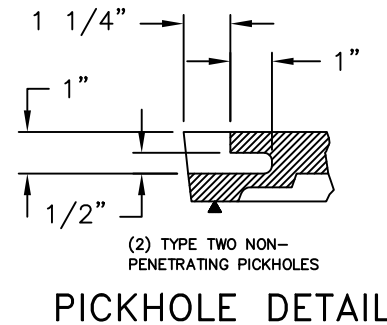
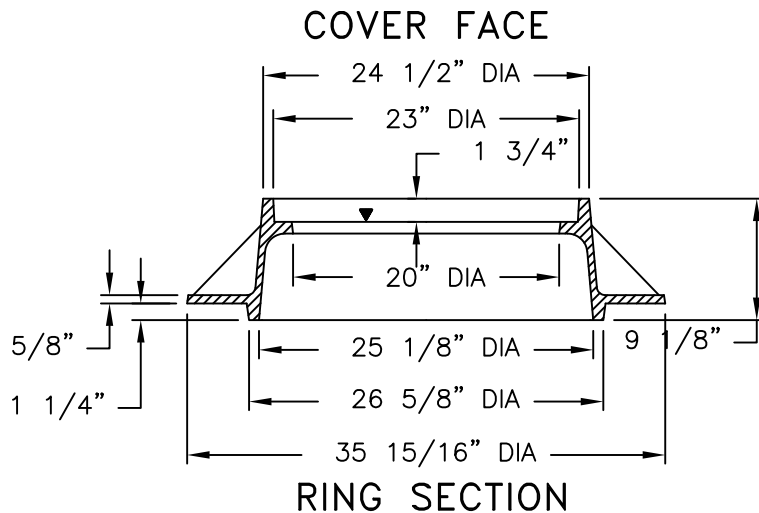
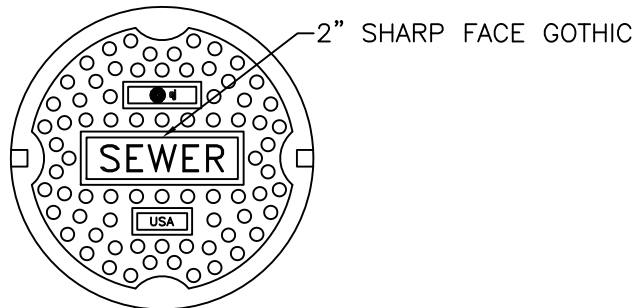
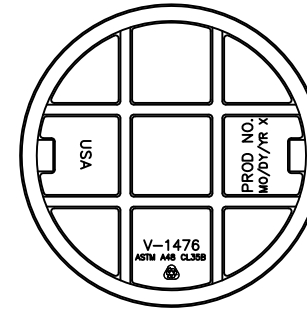
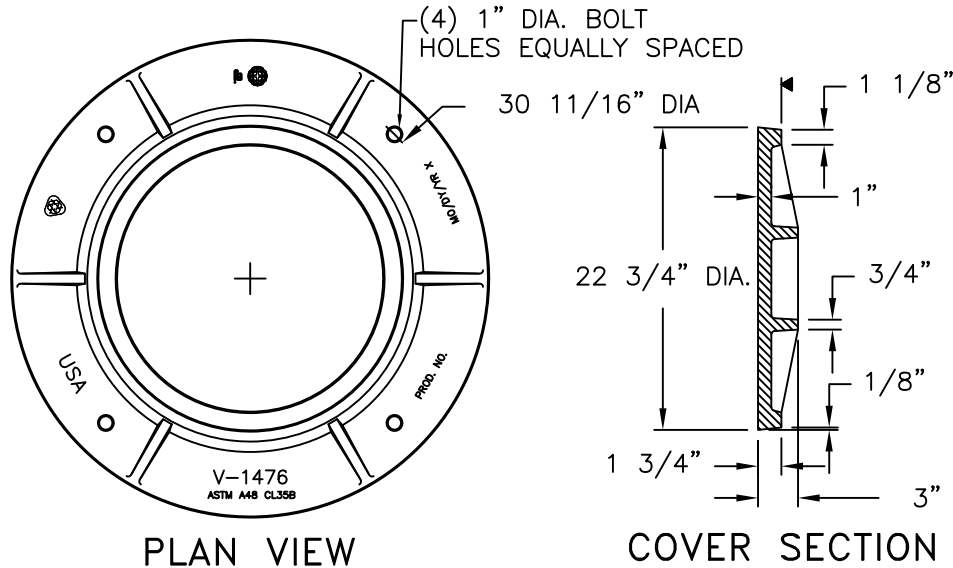


V1476 V1476 Assembly



Product Number
41476001

Design Features

- Materials
 - Frame
Gray Iron (CL35B)
 - Cover
Gray Iron (CL35B)

- Design Load
Heavy Duty
- Open Area
n/a
- Coating
Undipped
- √ Designates Machined Surface

Certification

- ASTM A48
-
-
- Country of Origin: USA

Major Components

- 41476010
- 41476045

Drawing Revision

- 07/07/2011 Designer: SBB
- 08/05/2016 Revised By: DVD

Disclaimer

Weights (lbs./kg) dimensions (inches/mm) and drawings provided for your guidance. We reserve the right to modify specifications without prior notice.

CONFIDENTIAL: This drawing is the property of EJ GROUP, Inc., and embodies confidential information, registered marks, patents, trade secret information, and/or know how that is the property of EJ GROUP, Inc. Copyright © 2012 EJ GROUP, Inc. All rights reserved.

Contact

800 626 4653
ejco.com

▼ MACHINED BEARING SURFACE