



DUC LUG

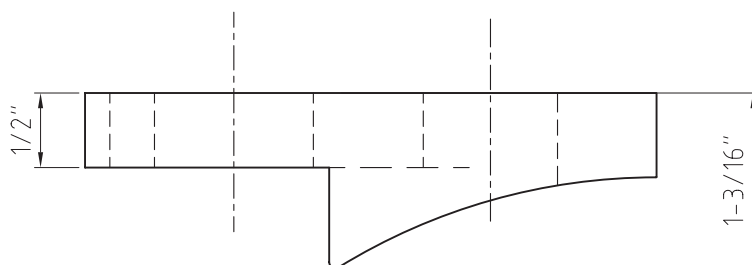
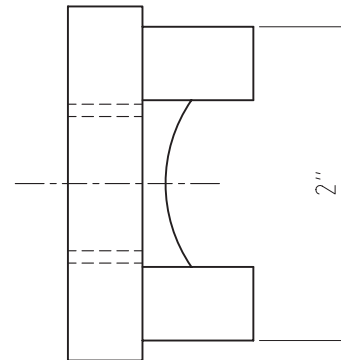
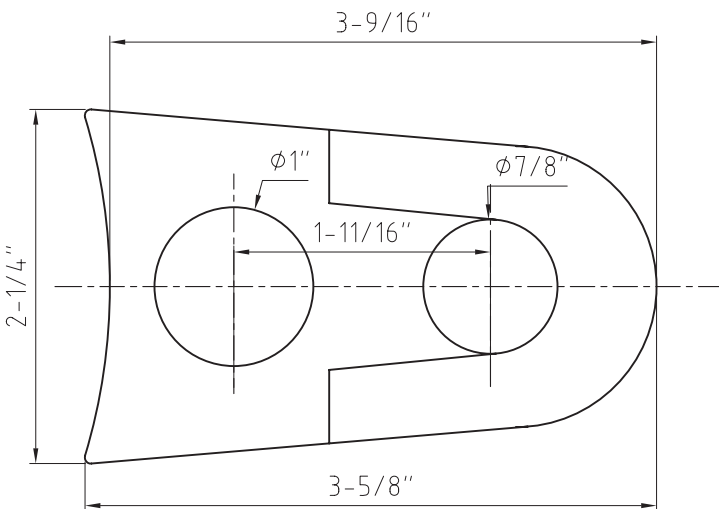
Product Features

- Manufactured from Ductile Iron
- PROSELECT Duc Lugs conform to ASTM A536, Grade 64-45-12

Product Specifications

Model Number	Description	Bucket Quantity
PSDLUG	DUC LUG	65

PSDLUG



TOLERANCES UNLESS OTHERWISE SPECIFIED

	INCHES	METRIC
DECIMALS	X ±0.1	X ±0.5
	XX ±0.01	X ±0.2
	.XXX ±0.005	.XX ±0.1
FRACTIONS	±1/16	
	ANGLE±0.5°	ANGLE±0.5°

Warranty and Codes

This PROSELECT product carries a 1-year limited warranty.

