

### Features

- Integral flange.
- Right drain.
- Integral lumbar support.
- Integral apron.
- 60" (1524 mm) x 32" (813 mm) x 17-1/2" (445 mm)

### Material

- Cast iron with Safeguard® finish.

### Installation

- Alcove

### Required Accessories

K- 7214 27" Cable Bath Drain



ADA

### Codes/Standards

ASME A112.19.1/CSA B45.2  
ADA  
ICC/ANSI A117.1



### KOHLER® Lifetime Limited Warranty for Cast Iron Components

See website for detailed warranty information.

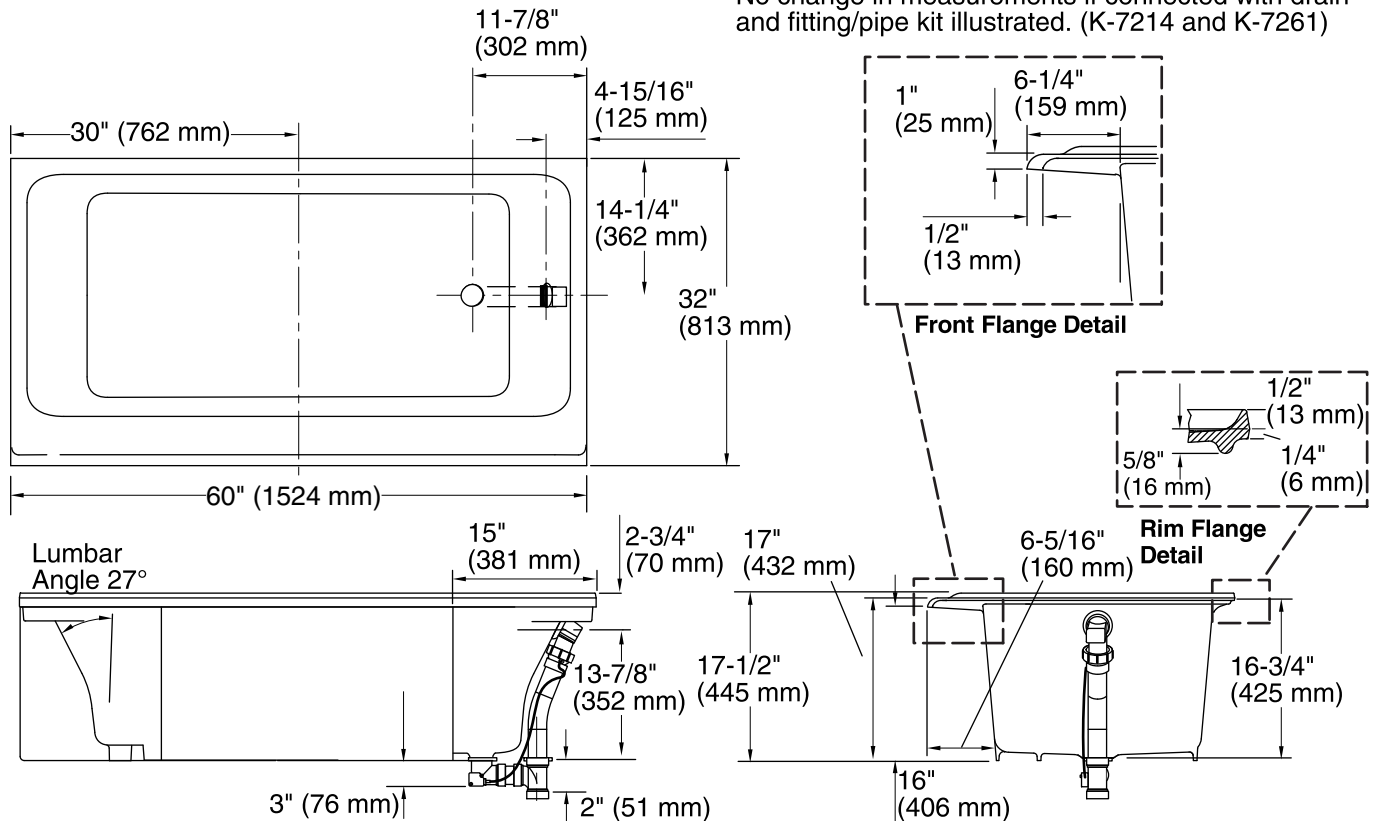
### Available Color/Finishes

*Color tiles intended for reference only.*

Color	Code	Description
-------	------	-------------

- |  |    |         |
|--|----|---------|
|  | 0  | White   |
|  | 96 | Biscuit |

No change in measurements if connected with drain and fitting/pipe kit illustrated. (K-7214 and K-7261)



### Technical Information

All product dimensions are nominal.

Installation:	3-Wall Alcove
Drain location:	Right
Basin area, bottom:	43-7/8" x 20-15/16" (1114 mm x 532 mm)
Basin area, top:	53-3/16" x 23-5/16" (1351 mm x 592 mm)
Weight:	275 lbs (124.7 kg)
Minimum floor load:	54 lbs/ft <sup>2</sup> (263.7 kg/m <sup>2</sup> )
Water depth:	12-13/16" (325 mm)
Water capacity:	49.5 gal (187.4 L)

### Notes

Measure your actual product for rough-in details.

Install this product according to the installation instructions.

The hot water supply should be 70% of the capacity of the bath or greater. Installations will vary.

ADA compliant when installed to the specific requirements of these regulations.