

Features

- Integral flange.
- Left drain.
- Integral lumbar support.
- Integral apron.
- 60" (1524 mm) x 32" (813 mm) x 17-1/2" (445 mm)

Material

- Cast iron with Safeguard® finish.

Installation

- Alcove

Required Accessories

K- 7214 27" Cable Bath Drain



ADA

Codes/Standards

ASME A112.19.1/CSA B45.2

ADA

ICC/ANSI A117.1



KOHLER® Lifetime Limited Warranty for Cast Iron Components

See website for detailed warranty information.

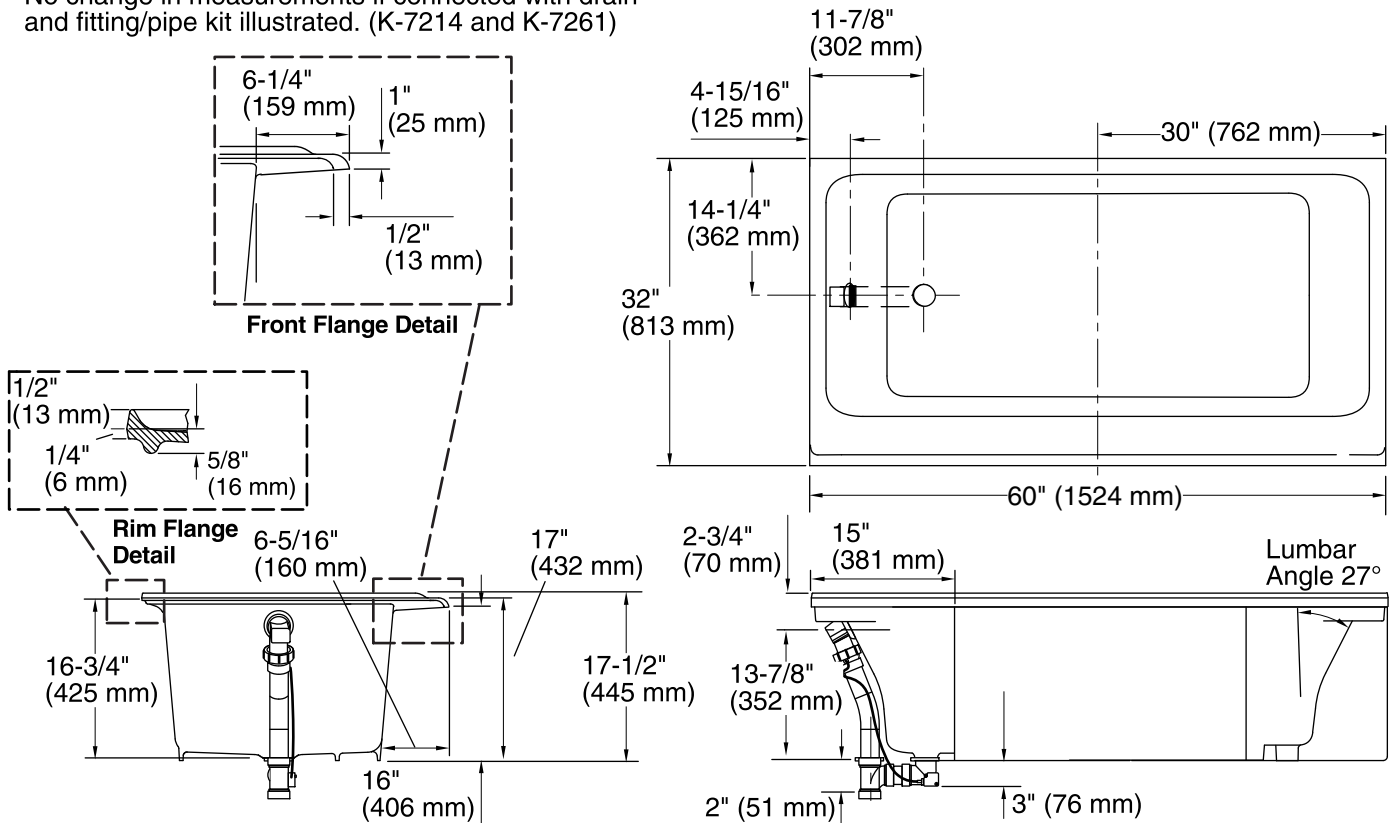
Available Color/Finishes

Color tiles intended for reference only.

Color	Code	Description
-------	------	-------------

- | | | |
|--|----|---------|
|  | 0 | White |
|  | 96 | Biscuit |

No change in measurements if connected with drain and fitting/pipe kit illustrated. (K-7214 and K-7261)



Technical Information

All product dimensions are nominal.

Installation:	3-Wall Alcove
Drain location:	Left
Basin area, bottom:	43-7/8" x 20-15/16" (1114 mm x 532 mm)
Basin area, top:	53-3/16" x 23-5/16" (1351 mm x 592 mm)
Weight:	275 lbs (124.7 kg)
Minimum floor load:	54 lbs/ft ² (263.7 kg/m ²)
Water depth:	12-13/16" (325 mm)
Water capacity:	49.5 gal (187.4 L)

Notes

- Measure your actual product for rough-in details.
- Install this product according to the installation instructions.
- The hot water supply should be 70% of the capacity of the bath or greater. Installations will vary.
- ADA compliant when installed to the specific requirements of these regulations.