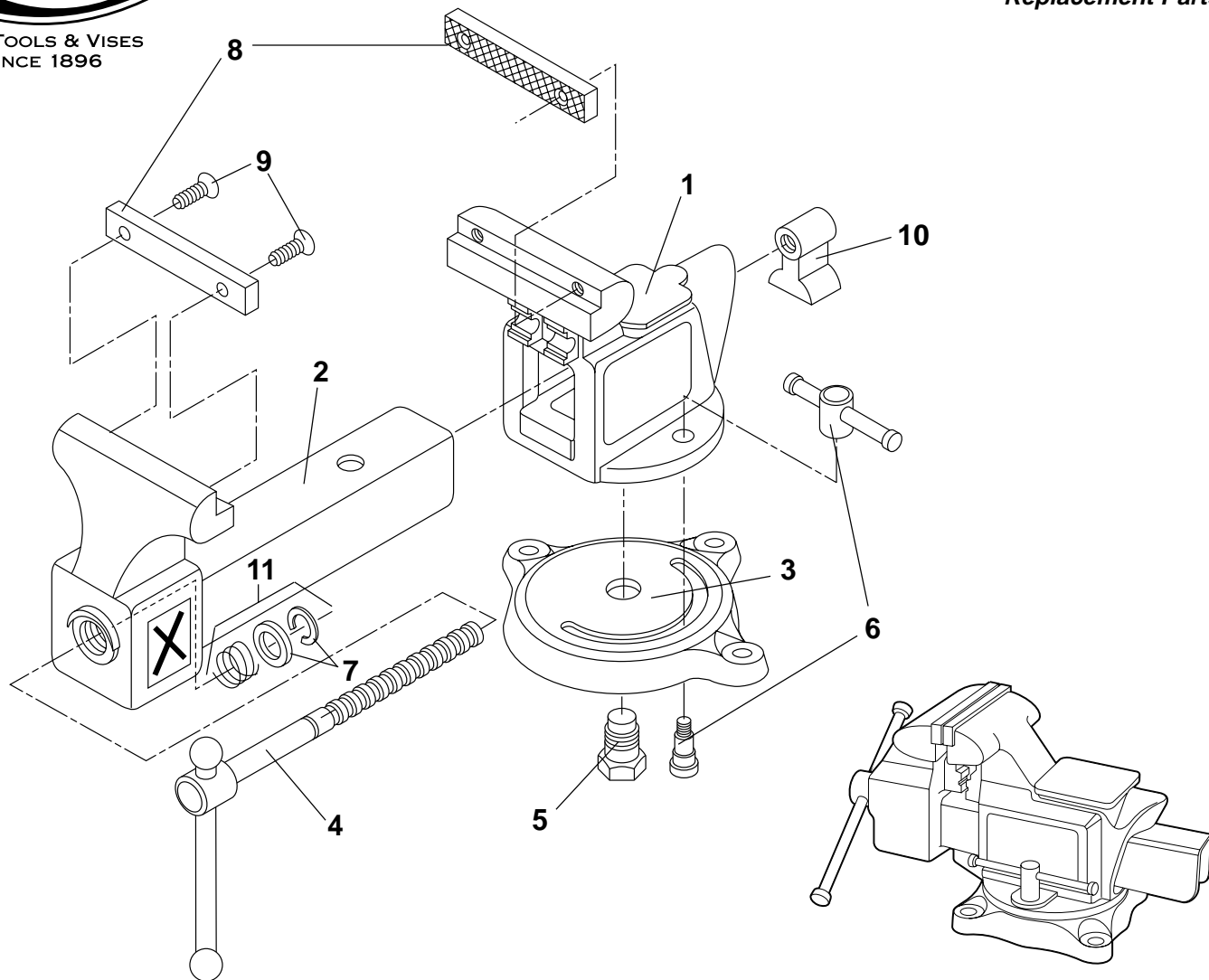




PIPE TOOLS & VISES
SINCE 1896

Utility Workshop Vises (Swivel Base)

Replacement Parts



NEW STYLE UTILITY VISES

Parts List

Ref. No.	Description	24 1/2C Item Code	25 1/2C Item Code	26 1/2C Item Code	26 B Item Code
1	Body	—	—	—	91917
2	Bar	—	—	—	91918
3	Base Plate	99922	99923	99924	91892
4	Handle & Screw	99916	99917	99918	91891
5	Center Bolt	—	—	—	91880
6	Clamp Bolt & Nut	99925	99926	99927	91915
7	Collar & Clip	—	—	—	—
8	Jaw Facings	99912*	99913*	99914*	91879
9	Jaw Facing Screws	—	—	—	91916
10	Main Vise Nut	99919	99920	99921	91914
11	Spring/Washer/Clip	—	—	—	91913

*Screws included

Reed Manufacturing Company
1425 West 8th St.
Erie, PA 16502 USA



Phone: 800-666-3691 or 814-452-3691
Fax: 800-456-1697 or 814-455-1697
www.reedmfgco.com

RP-804-22



PIPE TOOLS & VISES
SINCE 1896

Utility Workshop Vises (Swivel Base)

Replacement Parts

OLD STYLE UTILITY VISES

Parts List

Ref. No.	Description	23-1/2A		24-1/2B		25-1/2B	
		Item Code	Catalog Number	Item Code	Catalog Number	Item Code	Catalog Number
1	Body	91923	23 1/2B-B	91924	24 1/2B-B	91925	25 1/2B-B
2	Bar	91926	23 1/2SB-B	91927	24 1/2SB-A	91928	25 1/2SB-B
3	Base Plate	91929	23 1/2BP-B	91930	24 1/2BP-B	91931	25 1/2BP-B
4	Handle & Screw	91854	23 1/2HS-A	91855	24HS-A	91856	25HS-A
5	Center Bolt	91908	23 1/2CB-A	91908	23 1/2CB-A	91908	23 1/2CB-A
6	Clamp Bolt & Nut	91906	23 1/2BN-A	91907	24BN-A	91907	24BN-A
7	Collar & Clip	91899	23 1/2C-A	91900	24C-A	91901	25C-A
8	Jaw Facings	91878	23 1/2JF-A	91876	24 1/2JF-B	91877	25 1/2JF-B
9	Jaw Facing Screws (4)	01366	23 1/2JFS-A	01366	23 1/2JFS-A	01366	23 1/2JFS-A
10	Main Vise Nut	91865	23 1/2NT-A	91866	24NT-A	91867	25NT-A
11	Spring/Washer/Clip	—	—	—	—	—	—

OLDER STYLE UTILITY VISES

Parts List

Ref. No.	Description	23-1/2A		24A		25A	
		Item Code	Catalog Number	Item Code	Catalog Number	Item Code	Catalog Number
1	Body	91887	23 1/2B-A	91888	24B-A	91889	25B-A
2	Bar	91840	23 1/2SB-A	91841	24SB-A	91842	25SB-A
3	Base Plate	91890	23 1/2BP-A	91521	24BP-A	91522	25BP-A
4	Handle & Screw	91854	23 1/2HS-A	91855	24HS-A	91856	25HS-A
5	Center Bolt	91908	23 1/2CB-A	91908	23 1/2CB-A	91908	23 1/2CB-A
6	Clamp Bolt & Nut	91906	23 1/2BN-A	91907	24BN-A	91907	24BN-A
7	Collar & Clip	91899	23 1/2C-A	91900	24C-A	91901	25C-A
8	Jaw Facings	91878	23 1/2JF-A	91876	24JF-A	91877	25JF-A
9	Jaw Facing Screws (4)	01366	23 1/2JFS-A	01366	23 1/2JFS-A	01366	23 1/2JFS-A
10	Main Vise Nut	91865	23 1/2NT-A	91866	24NT-A	91867	25NT-A

Old Style or Older Style?

Old style Reed utility workshop vises have a large number cast into the sliding bar indicated by the large "X". Older style vises do not have any marking in this area.

Reed Manufacturing Company
1425 West 8th St.
Erie, PA 16502 USA



Phone: 800-666-3691 or 814-452-3691
Fax: 800-456-1697 or 814-455-1697
www.reedmfgco.com