

SPECIFICATIONS

VALVE WITH NON-RISING STEM

Cast brass valve with non-rising stem, red handwheel.
Female N.P.T. inlet x male hose thread outlet. Brass solid
wedge disc and tapered seat.

MODEL SELECTION

VALVES

- 4305 1-1/2" Valve With Non-Rising Stem
- *4315 2-1/2" Valve With Non-Rising Stem ◀FM▶
- *4335 3 x 2-1/2" Valve With Rising Stem
- *4365 2-1/2" Valve With Non-Rising Stem and Swivel Inlet

NOTE: * = U/L Listed

CAPS AND FLANGES

- 4615 1-1/2" Cast Brass Cap w/ Chain
- 4625 2-1/2" Cast Brass Cap w/ Chain
- 4735 3" Cast Brass Cap w/ Chain
- 4711 1-1/2" Cast Brass Flange w/ Set Screw 3" O.D.
- 4712 2-1/2" Cast Brass Flange w/ Set Screw 6-1/4" O.D.
- 4713 3" Cast Brass Flange w/ Set Screw



MODEL 4315 (Shown)

PRODUCT OPTIONS

FINISHES:

- B Polished Brass
- C Rough Chrome Plated
- D Polished Chrome Plated

THREADS:

- N.S.T. Other _____

VARIATIONS: (Cap w/ Chain)

- With Rocker Lugs

Call Potter Roemer - Fire Pro for current listings and approvals. Dimensions are subject to manufacturer's tolerance and may change without notice. Potter Roemer-Fire Pro assumes no responsibility for use of void or superseded data. © Copyright Potter Roemer- Fire Pro, Member of Morris Group International™ Please visit potterroemer.com for most current specifications.

4305-4365 SERIES Date: 06/03/16

MEMBERSHIP



FIRE EQUIPMENT
MANUFACTURERS'
ASSOCIATION

ONFSA
NATIONAL FIRE SPRINKLER ASSOCIATION, INC.



CASPE
American Society of
Plumbing Engineers



POTTER ROEMER/FIRE PRO

Headquarters:
P.O. Box 3527
City of Industry, CA
91744 U.S.A.
Los Angeles Area
800-366-3473
626-855-4890

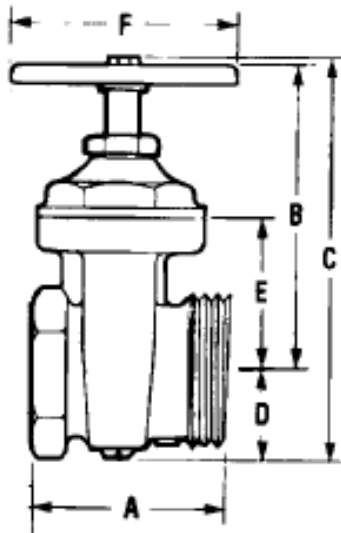
Also in:
New York (800) 526-4592
Chicago (800) 547-3473
Atlanta (800) 762-0542
Miami (866) 961-3473
Dallas (866) 644-3473

www.potterroemer.com

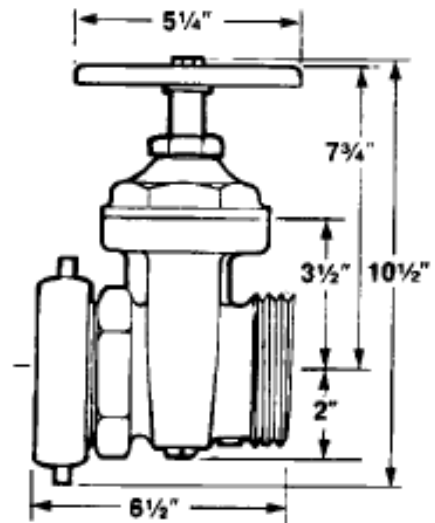
MODEL DIMENSIONS

VALVE WITH NON-RISING STEM										
Model No.	Size	Pressure	U/L Listed	FM Approved	A	B	C	D	E	F
4305	1-1/2	200 lb.	No	No	5	6	7-1/2	1-1/2	2-1/2	3-1/4
4315	2-1/2	300 lb.	Yes	Yes	5-1/4	7-3/4	9-3/4	2	3-1/2	5-1/4
4335	3 x 2-1/2	300 lb.	Yes	No	5-1/4	7-3/4	9-3/4	2	3-1/2	5-1/4

ALL DIMENSIONS IN INCHES



MODEL 4305-4335



2-1/2 VALVE WITH NON-RISING
STEM & SWIVEL INLET
MODEL 4365

Call Potter Roemer - Fire Pro for current listings and approvals. Dimensions are subject to manufacturer's tolerance and may change without notice. Potter Roemer - Fire Pro assumes no responsibility for use of void or superseded data. © Copyright Potter Roemer - Fire Pro, Member of Morris Group International™ Please visit potterroemer.com for most current specifications.

4305-4365 SERIES Date: 06/03/16

MEMBERSHIP



FIRE EQUIPMENT
MANUFACTURERS'
ASSOCIATION



POTTER ROEMER/FIRE PRO

Headquarters:
P.O. Box 3527
City of Industry, CA
91744 U.S.A.
Los Angeles Area
800-366-3473
626-855-4890

Also in:
New York (800) 526-4592
Chicago (800) 547-3473
Atlanta (800) 762-0542
Miami (866) 961-3473
Dallas (866) 644-3473

www.potterroemer.com