

REPAIR PARTS

AWUF Vertical Mount All Aluminum Air Handlers

AWUF180316BA
AWUF180516BA
AWUF180816BA
AWUF240316BA
AWUF240516BA
AWUF240816BA
AWUF241016BA
AWUF300316BA
AWUF300516BA
AWUF300816BA
AWUF301016BA
AWUF360516BA
AWUF360816BA
AWUF361016BA
AWUF370516BA
AWUF370816BA
AWUF371016BA



This manual is to be used by qualified technicians only.

This manual replaces RP-516C

© 2009 Goodman Manufacturing Company, L.P. ♦ 5151 San Felipe, Suite 500 ♦ Houston, TX 77056

Important Information

Index

Functional Parts List	3
Illustration and Parts	4 - 7

Views shown are for parts illustrations only, not servicing procedures.

Added new models AWUF180316BA, AWUF240316BA and AWUF300316BA per CAC-877

Text Codes:

AR - As Required

NA - Not Available

NS - Not Shown

00000000 - See Note

QTY - Quantity Example (QTY 3) (If Quantity not shown, Quantity = 1)

M - Model Example (M1) (If M Code not shown, then part is used on all Models)

Expanded Model Nomenclature:

Example M1 - Model#1 M2 - Model#2 M3 - Model#3

Goodman Manufacturing Company, L.P. is not responsible for personal injury or property damage resulting from improper service. Review all service information before beginning repairs.

Warranty service must be performed by an authorized technician, using authorized factory parts. If service is required after the warranty expires, Goodman Manufacturing Company, L.P. also recommends contacting an authorized technician and using authorized factory parts.

Goodman Manufacturing Company, L.P. reserves the right to discontinue, or change at any time, specifications or designs without notice or without incurring obligations.

For assistance within the U.S.A. contact:
Consumer Affairs Department
Goodman Manufacturing Company, L.P.
7401 Security Way
Houston, Texas 77040
877-254-4729-Telephone
713-863-2382-Facsimile

For assistance outside the U.S.A. contact:
International Division
Goodman Manufacturing Company, L.P.
7401 Security Way
Houston, Texas 77040
713-861-2500-Telephone
713-863-2382-Facsimile

Functional Parts

Part

No: Description:

Expanded Model Nomenclature

BT1420039	ASSY, 10 KW HEATER LRG (M17)	M1 - AWUF180316BA
BT1420034	ASSY, 10 KW HEATER LRG (M11, M14)	M2 - AWUF180516BA
BT1420031	ASSY, 10 KW HEATER SML (M7)	M3 - AWUF180816BA
BT1420032	ASSY, 5 KW HEATER LRG (M9, M12)	M4 - AWUF240316BA
BT1420029	ASSY, 5 KW HEATER SML (M2, M5)	M5 - AWUF240516BA
BT1420030	ASSY, 7.3 KW HEATER SML (M3, M6)	M6 - AWUF240816BA
BT1420040	ASSY, 8 KW HEATER LRG (M16)	M7 - AWUF241016BA
BT1420033	ASSY, 8 KW HEATER LRG (M10, M13)	M8 - AWUF300316BA
0131M00103S	BLOWER MOTOR 1/2 HP, X13 PROGRAMMED (M15, M16, M17)	M9 - AWUF300516BA
BT1340031S	BLOWER MOTOR 1/3 HP, 2 SP, 6 PL (M8, M9, M10, M11, M12, M13, M14)	M10 - AWUF300816BA
BT1340030S	BLOWER MOTOR 1/5 HP, 2 SP, 6 PL (M1, M2, M3, M4, M5, M6, M7)	M11 - AWUF301016BA
PCBFM131	BOARD, ELECTRONIC BLOWER TIME DELAY RELAY (M8, M9, M10, M11, M12, M13, M14)	M12 - AWUF360516BA
CAP075000370VAS	CAPACITOR 7.5/370V (M1, M2, M3, M4, M5, M6, M7)	M13 - AWUF360816BA
B1370752	HEAT RELAY 208-230, 460, 575 (M15, M16, M17)	M14 - AWUF361016BA
BT1420041	LARGE 3KW HEATER ASSY (M8)	M15 - AWUF370516BA
PKC-0AC	PISTON KIT CHART	M16 - AWUF370816BA
B1141643	TRANSFORMER 208/230, 24V (M1, M2, M3, M4, M5, M6, M7)	M17 - AWUF371016BA

SPECIAL PARTS

IO-281D INSTAL INSTRUCTION

Chassis and Coil Tubing Assy

Image 1

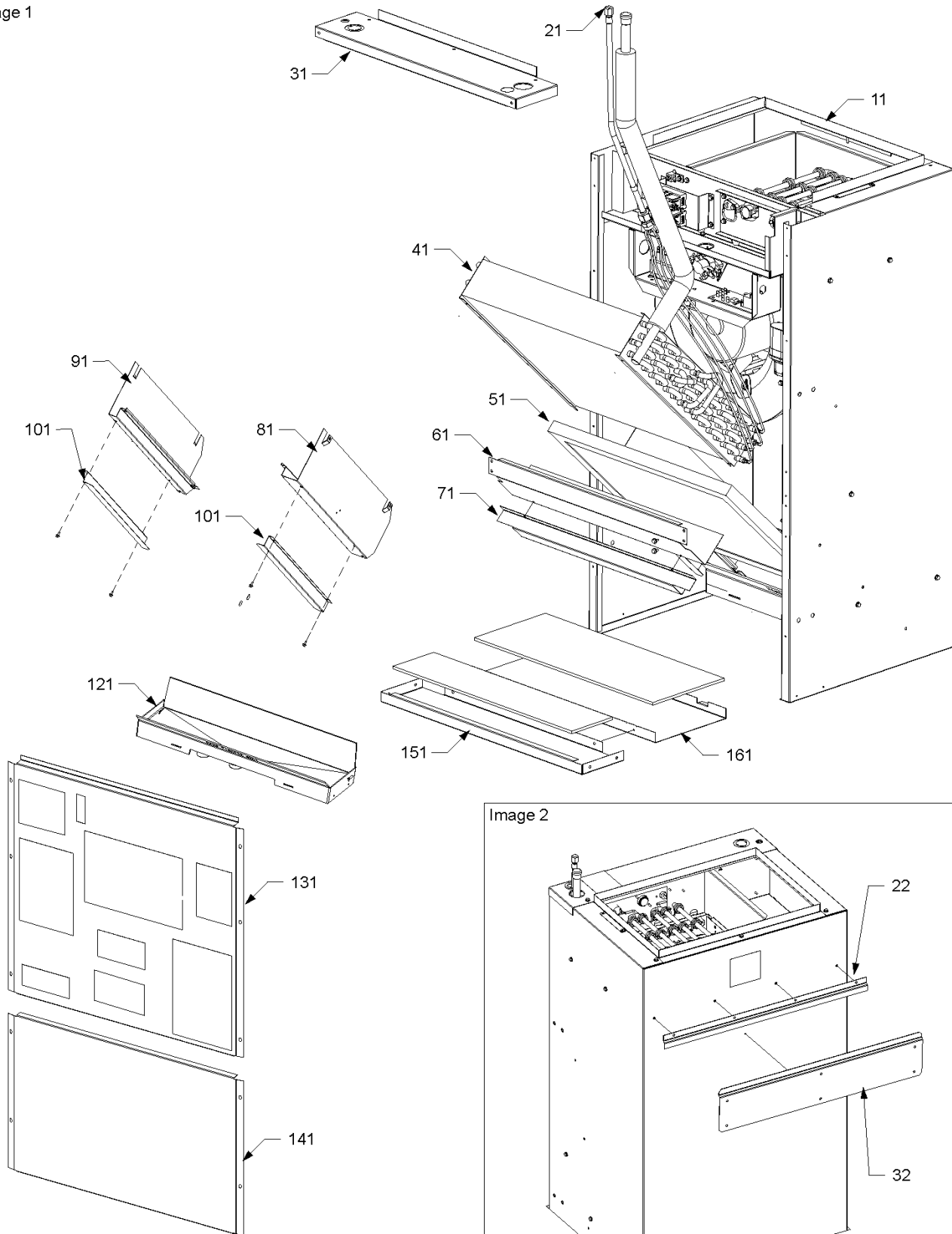
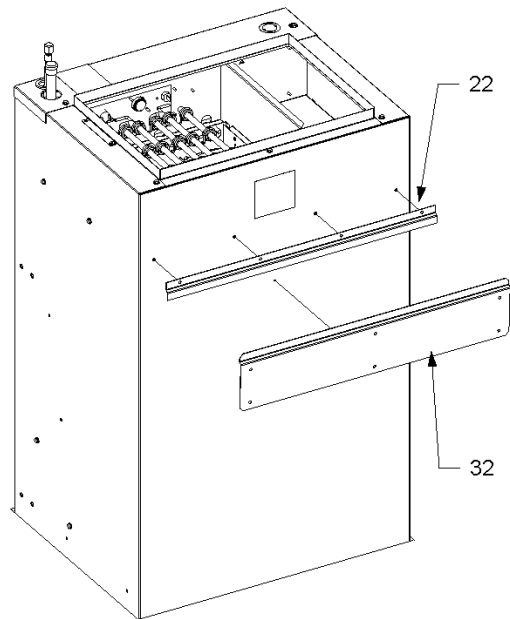


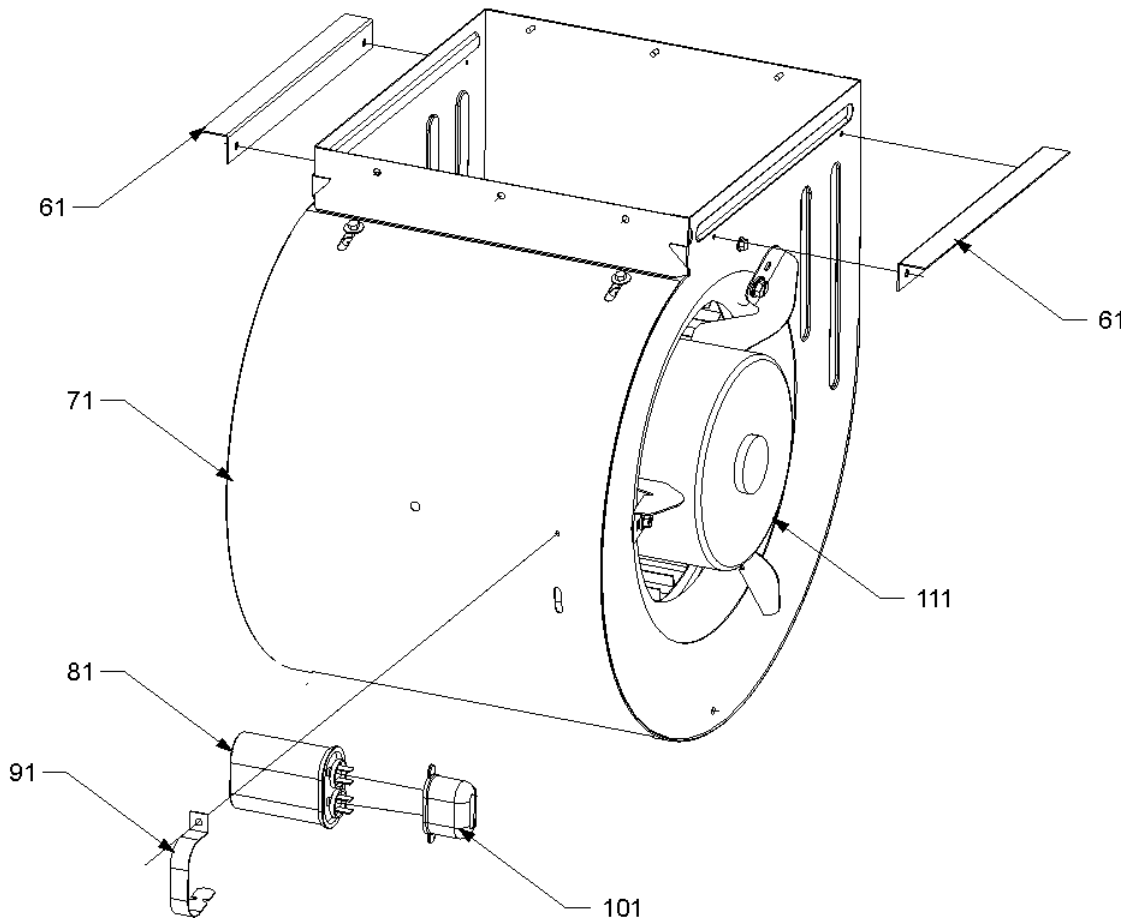
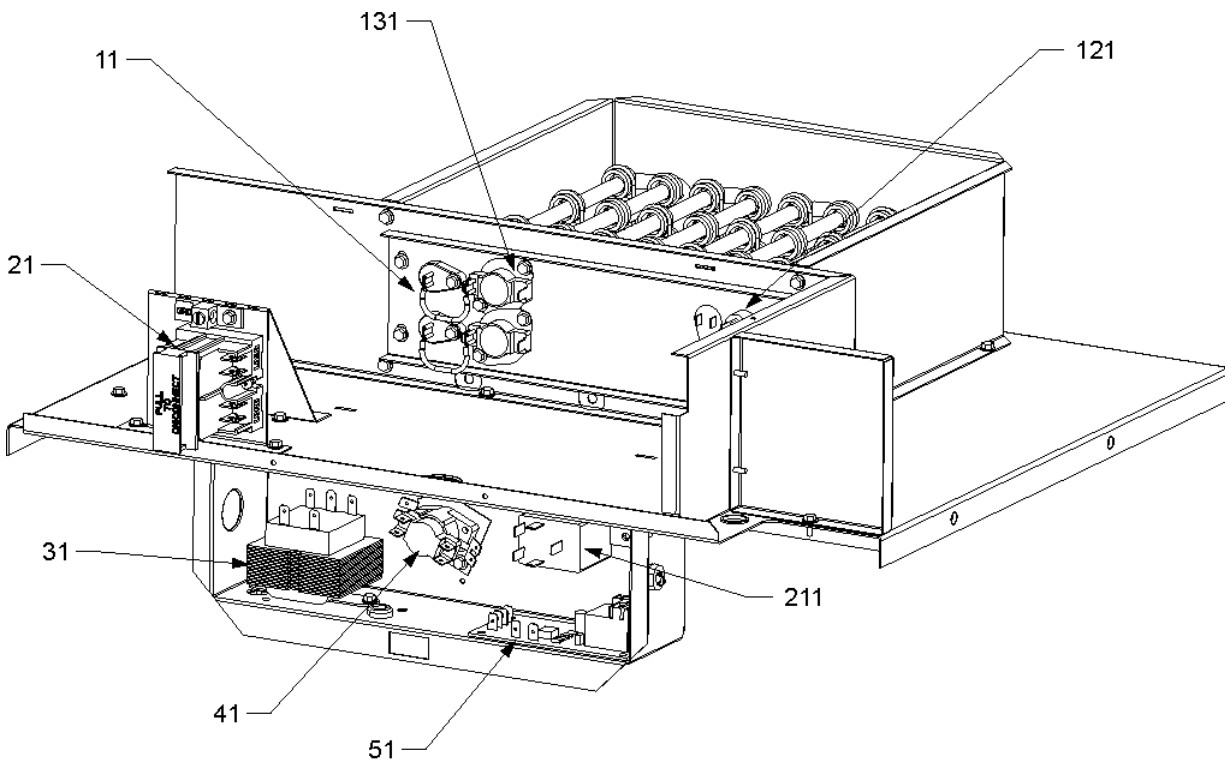
Image 2



Chassis and Coil Tubing Assy

Ref. Part No:	No:	Description:	Ref. Part No:	No:	Description:
<i>Image 1:</i>			<i>Image 1:</i>		
11	3702005	WRAPPER, LARGE (M8, M9, M10, M11, M12, M13, M14, M15, M16, M17)	NS	3701242	DRIP SHIELD LRG (M8, M9, M10, M11, M12, M13, M14, M15, M16, M17)
11	3702004	WRAPPER, SMALL (M1, M2, M3, M4, M5, M6, M7)	NS	BT1787000	VALVE CORE (M1, M2, M3, M4, M5, M6, M7)
21	0162A00005S	FLOWRATOR (M1, M2, M3)	<i>Image 2:</i>		
21	0162A00006S	FLOWRATOR (M15, M16, M17)	22	3702500	HANGING BRACKET LRG (M8, M9, M10, M11, M12, M13, M14, M15, M16, M17)
21	0162A00007S	FLOWRATOR (M4, M5, M6, M7)	22	3702501	HANGING BRACKET SML (M1, M2, M3, M4, M5, M6, M7)
21	0162A00008S	FLOWRATOR (M8, M9, M10, M11)	32	3702800	HANGING BRACKET, FIELD
21	0162A00009S	FLOWRATOR (M12, M13, M14)	Expanded Model Nomenclature		
31	3702105	TOP WRAPPER LRG (M8, M9, M10, M11, M12, M13, M14, M15, M16, M17)	<div style="border: 1px solid black; padding: 5px;"> M1 - AWUF180316BA M2 - AWUF180516BA M3 - AWUF180816BA M4 - AWUF240316BA M5 - AWUF240516BA M6 - AWUF240816BA M7 - AWUF241016BA M8 - AWUF300316BA M9 - AWUF300516BA M10 - AWUF300816BA M11 - AWUF301016BA M12 - AWUF360516BA M13 - AWUF360816BA M14 - AWUF361016BA M15 - AWUF370516BA M16 - AWUF370816BA M17 - AWUF371016BA </div>		
31	3702104	TOP WRAPPER SML (M1, M2, M3, M4, M5, M6, M7)			
41	0270A00286S	TUBING ASSY, EVAP COIL (M1, M2, M3)			
41	0270A00287S	TUBING ASSY, EVAP COIL (M4, M5, M6, M7)			
41	0270A00288S	TUBING ASSY, EVAP COIL (M8, M9, M10, M11)			
41	0270A00289S	TUBING ASSY, EVAP COIL (M12, M13, M14)			
41	0270A00290S	TUBING ASSY, EVAP COIL (M15, M16, M17)			
51	BT1369604	AIR FILTER 14 X 18 X 1 (M1, M2, M3, M4, M5, M6, M7)			
51	BT1369606	AIR FILTER 16 X 20 X 1 (M8, M9, M10, M11, M12, M13, M14)			
51	BT1369608	AIR FILTER 18 X 20 X 1 (M15, M16, M17)			
61	0121A00066	CENTER TIE PLATE (M8, M9, M10, M11, M12, M13, M14, M15, M16, M17)			
61	0121A00067	CENTER TIE PLATE (M1, M2, M3, M4, M5, M6, M7)			
71	3701802	FILTER OFFSET BRACKET SML (M1, M2, M3, M4, M5, M6, M7)			
81	3701231	GUTTER RAIL, RIGHT LRG (M8, M9, M10, M11, M12, M13, M14, M15, M16, M17)			
81	3701224	GUTTER RAIL, RIGHT SML (M1, M2, M3, M4, M5, M6, M7)			
91	3701232	GUTTER RAIL, LEFT LRG (M8, M9, M10, M11, M12, M13, M14, M15, M16, M17)			
91	3701225	GUTTER RAIL, LEFT SML (M1, M2, M3, M4, M5, M6, M7)			
101	3701203	FILTER SUPPORT SML (M1, M2, M3, M4, M5, M6, M7)			
121	0161R00021	DRAIN PAN LARGE (M8, M9, M10, M11, M12, M13, M14, M15, M16, M17)			
121	0161R00022	DRAIN PAN SMALL (M1, M2, M3, M4, M5, M6, M7)			
131	3770031	PANEL, LARGE FRONT ACCESS (M8, M9, M10, M11, M12, M13, M14, M15, M16, M17)			
131	3770030	PANEL, SMALL FRONT (M1, M2, M3, M4, M5, M6, M7)			
141	3701505	LOWER ACCESS PANEL-FRONT (M1, M2, M3, M4, M5, M6, M7)			
151	3702301	BOTTOM TIE PLATE LRG (M8, M9, M10, M11, M12, M13, M14, M15, M16, M17)			
151	3702303	BOTTOM TIE PLATE SML (M1, M2, M3, M4, M5, M6, M7)			
161	3701500	ACCESS PANEL, DRAIN LRG (M8, M9, M10, M11, M12, M13, M14, M15, M16, M17)			
161	3701502	ACCESS PANEL, DRAIN SML (M1, M2, M3, M4, M5, M6, M7)			

Blower and Heater Assemblies



Blower and Heater Assemblies

Ref. Part No:	No:	Description:	Ref. Part No:	No:	Description:																	
<i>Image 1:</i>			<i>Image 1:</i>																			
11	BT1420034	ASSY, 10 KW HEATER LRG (M11, M14)	NS	B1376861	MOTOR MOUNT ARM (M15, M16, M17)																	
11	BT1420039	ASSY, 10 KW HEATER LRG (M17)	NS	0121M00038	MOTOR MOUNT BAND (M15, M16, M17)																	
11	BT1420031	ASSY, 10 KW HEATER SML (M7)	NS	B1393309	SCREW, MACH, 1/4-20TPI X 3/4"LG (M8, M9, M10, M11, M12, M13, M14)																	
11	BT1420032	ASSY, 5 KW HEATER LRG (M9, M12)	NS	0130M00022	X-13 POWER HARNESS (M15, M16, M17)																	
11	BT1420029	ASSY, 5 KW HEATER SML (M2, M5)	Expanded Model Nomenclature																			
11	BT1420030	ASSY, 7.3 KW HEATER SML (M3, M6)	<table border="1"> <tr><td>M1 - AWUF180316BA</td></tr> <tr><td>M2 - AWUF180516BA</td></tr> <tr><td>M3 - AWUF180816BA</td></tr> <tr><td>M4 - AWUF240316BA</td></tr> <tr><td>M5 - AWUF240516BA</td></tr> <tr><td>M6 - AWUF240816BA</td></tr> <tr><td>M7 - AWUF241016BA</td></tr> <tr><td>M8 - AWUF300316BA</td></tr> <tr><td>M9 - AWUF300516BA</td></tr> <tr><td>M10 - AWUF300816BA</td></tr> <tr><td>M11 - AWUF301016BA</td></tr> <tr><td>M12 - AWUF360516BA</td></tr> <tr><td>M13 - AWUF360816BA</td></tr> <tr><td>M14 - AWUF361016BA</td></tr> <tr><td>M15 - AWUF370516BA</td></tr> <tr><td>M16 - AWUF370816BA</td></tr> <tr><td>M17 - AWUF371016BA</td></tr> </table>			M1 - AWUF180316BA	M2 - AWUF180516BA	M3 - AWUF180816BA	M4 - AWUF240316BA	M5 - AWUF240516BA	M6 - AWUF240816BA	M7 - AWUF241016BA	M8 - AWUF300316BA	M9 - AWUF300516BA	M10 - AWUF300816BA	M11 - AWUF301016BA	M12 - AWUF360516BA	M13 - AWUF360816BA	M14 - AWUF361016BA	M15 - AWUF370516BA	M16 - AWUF370816BA	M17 - AWUF371016BA
M1 - AWUF180316BA																						
M2 - AWUF180516BA																						
M3 - AWUF180816BA																						
M4 - AWUF240316BA																						
M5 - AWUF240516BA																						
M6 - AWUF240816BA																						
M7 - AWUF241016BA																						
M8 - AWUF300316BA																						
M9 - AWUF300516BA																						
M10 - AWUF300816BA																						
M11 - AWUF301016BA																						
M12 - AWUF360516BA																						
M13 - AWUF360816BA																						
M14 - AWUF361016BA																						
M15 - AWUF370516BA																						
M16 - AWUF370816BA																						
M17 - AWUF371016BA																						
11	BT1420033	ASSY, 8 KW HEATER LRG (M10, M13)																				
11	BT1420040	ASSY, 8 KW HEATER LRG (M16)																				
11	BT1420041	LARGE 3KW HEATER ASSY (M8)																				
21	BT1753510S	PULL OUT DISCONNECT (M15, M16, M17)																				
31	B1141643	TRANSFORMER 208/230, 24V (M1, M2, M3, M4, M5, M6, M7)																				
41	B1256551	SEQUENCER 5 KW (M1, M2, M4, M5)																				
41	B1256552	SEQUENCER, 8 - 10KW (M3, M6, M7)																				
51	PCBFM131	BOARD, ELECTRONIC BLOWER TIME DELAY RELAY (M8, M9, M10, M11, M12, M13, M14)																				
71	3760200S	BLOWER HOUSING (M1, M2, M3, M4, M5, M6, M7)																				
71	3760202S	BLOWER HOUSING (M8, M9, M10, M11, M12, M13, M14)																				
81	CAP075000370VAS	CAPACITOR 7.5/370V (M1, M2, M3, M4, M5, M6, M7)																				
91	3784800	CAPACITOR STRAP (M8, M9, M10, M11, M12, M13, M14)																				
101	B821700	CAPACITOR BOOT (M8, M9, M10, M11, M12, M13, M14)																				
111	0131M00103S	BLOWER MOTOR 1/2 HP, X13 PROGRAMMED (M15, M16, M17)																				
111	BT1340031S	BLOWER MOTOR 1/3 HP, 2 SP, 6 PL (M8, M9, M10, M11, M12, M13, M14)																				
111	BT1340030S	BLOWER MOTOR 1/5 HP, 2 SP, 6 PL (M1, M2, M3, M4, M5, M6, M7)																				
NS	3702705	BLOWER ANGLE 10" (M15, M16, M17)																				
NS	3702702	BLOWER ANGLE 6.063" (M1, M2, M3, M4, M5, M6, M7)																				
NS	3702701	BLOWER ANGLE 8.531" (M8, M9, M10, M11, M12, M13, M14, M16)																				
NS	3702700	BLOWER ANGLE 9" (M1, M2, M3, M4, M5, M6, M7)																				
NS	3739000	BLOWER CUT-OFF 6" (M1, M2, M3, M4, M5, M6, M7)																				
NS	3739002	BLOWER CUT-OFF LRG (M8, M9, M10, M11, M12, M13, M14)																				
NS	BT1368008S	BLOWER WHEEL 10 X 6 (M4, M5, M6, M7)																				
NS	B1368016S	BLOWER WHEEL 10 X 8 (M15, M16, M17)																				
NS	B1368042S	BLOWER WHEEL 9 X 6 (M1, M2, M3)																				
NS	B1368036S	BLOWER WHEEL 9 X 8 (M8, M9, M10, M11, M12, M13, M14)																				
NS	B1392143	GROMMET, 26TAL F/TORSIN FLEX (M8, M9, M10, M11, M12, M13, M14)																				
NS	B1393322	MACHINE SCREW HWH 1/4-20 X 1-1/2 BZ (M15, M16, M17)																				
NS	B1393323	MACHINE SCREW HWH 1/4-20 X 1-1/2 BZ (M15, M16, M17)																				