

STERLING®

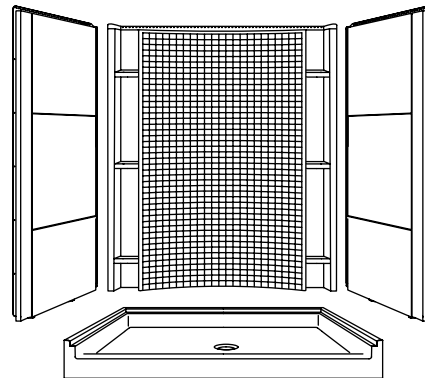
A KOHLER COMPANY

ACCORD®

Features

- Compression molded from our exclusive solid Vikrell® material
- Modular 4-piece design
- Convenient shelves provide generous storage
- Durable high-gloss finish
- 10-year consumer/3-year commercial limited warranty
- Pivot "snap together" installation
- Caulkless seam installation
- 48-1/4" (122.6 cm) x 37-1/4" (94.6 cm) x 77" (195.6 cm) rough-in dimensions include nailing flange
- 48" (121.9 cm) x 36" (91.4 cm) x 75-3/4" (192.6 cm) complete unit finished dimensions

48" (121.9 cm) SHOWER RECEPTOR AND WALL SURROUND 72260100



Codes/Standards Applicable

Specified model meets or exceeds the following:

- ANSI Z124.1.2
- CSA B45
- ASTM E162
- ASTM E662

Colors/Finishes

- 0: White
- Other: Refer to Price Book for additional colors/finishes

Specified Model

Model	Complete Unit Description	Colors/Finishes	
72260100	48" (121.9 cm) shower receptor and wall surround	<input type="checkbox"/> 0	<input type="checkbox"/> Other _____
Model	Wall Component Description	Colors/Finishes	
72262100	48" (121.9 cm) shower backwall	<input type="checkbox"/> 0	<input type="checkbox"/> Other _____
72261100	48" (121.9 cm) receptor	<input type="checkbox"/> 0	<input type="checkbox"/> Other _____
72245100	Endwall set	<input type="checkbox"/> 0	<input type="checkbox"/> Other _____
Model	Age in Place Component Description	Colors/Finishes	
72260106	48" (121.9 cm) shower receptor with age in place backers	<input type="checkbox"/> 0	<input type="checkbox"/> Other _____
72245106	Endwall set, age in place backers	<input type="checkbox"/> 0	<input type="checkbox"/> Other _____

ACCORD®

Technical Information

Model	door maximum width	door maximum height
72260100	44-5/8" (113.3 cm)	72" (182.9 cm)

End stud positioning is critical.

Double studding is recommended for pivot shower door installations.

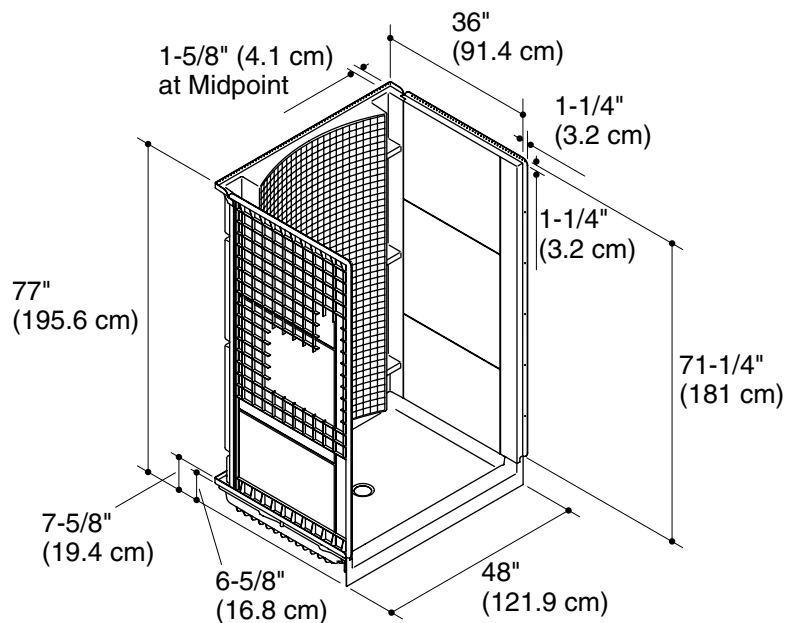
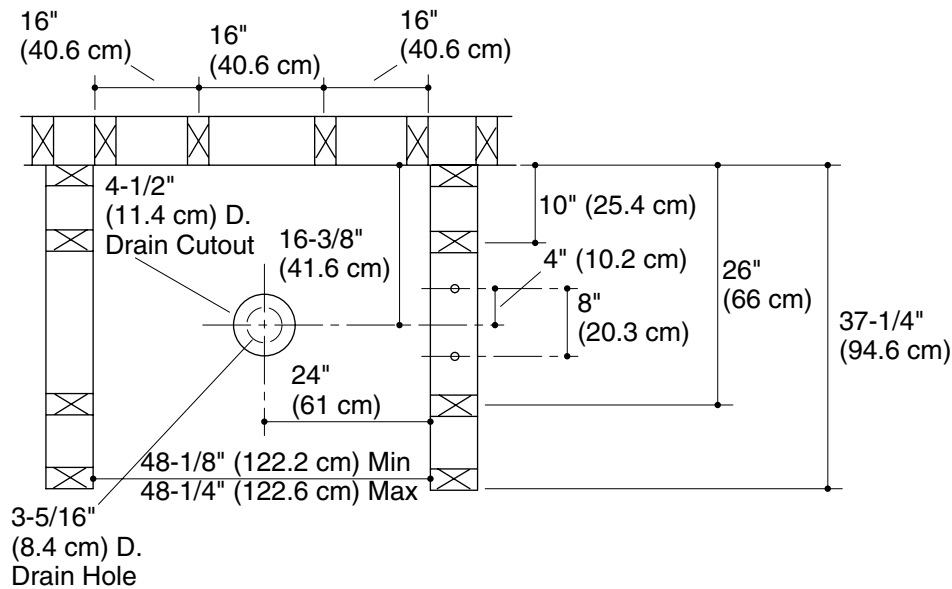
Studs should be positioned roughly as shown.

Receptor cannot be installed without the wall surround.

Installation Notes

Install this product according to the installation guide.

Size the drain cutout to fit the drain assembly that will be used.



Product Diagram

ACCORD® 48" (121.9 cm) SHOWER RECEPTOR AND WALL SURROUND

Page 2 of 2
1092039-4-C

STERLING
A KOHLER COMPANY