

Amana® 20" (50.8 cm) Freestanding Electric Range

PRODUCT MODEL NUMBERS

AEP222VA AEP200VA

Electrical Requirements:

To properly install your range, you must determine the type of electrical connection you will be using and follow the instructions provided for it here.

- Range must be connected to the proper electrical voltage and frequency as specified on the model/serial number rating plate. The model/serial number rating plate is located under the front left burner bowl. Refer to the figure in the "Location Requirements" section.
- This range is manufactured with the neutral terminal connected to the cabinet. Use a 3-wire UL listed, 40- or 50-amp power supply cord (pigtail) (see Range Rating chart below). If local codes do not permit ground through the neutral, use a 4-wire power supply cord rated at 250 volts, 40 or 50 amps and investigated for use with ranges.

Range Rating*		Specified Rating of Power Supply Cord Kit and Circuit Protection
120/240 Volts	120/208 Volts	Amps
8.0 - 16.5 KW	6.0 - 12.5 KW	40 or 50**
16.6 - 22.5 KW	12.6 - 18.5 KW	50

*The NEC calculated load is less than the total connected load listed on the model/serial rating plate.

**If connecting to a 50-amp circuit, use a 50-amp rated cord with kit. For 50-amp rated cord kits, use kits that specify use with a nominal 1 $\frac{3}{8}$ " (34.93 mm) diameter connection opening.

- A circuit breaker is recommended.

CABINET OPENING DIMENSIONS

Cabinet opening dimensions shown are for:

- 25" (63.5 cm) countertop depth
- 24" (61.0 cm) base cabinet depth
- 36" (91.4 cm) countertop height

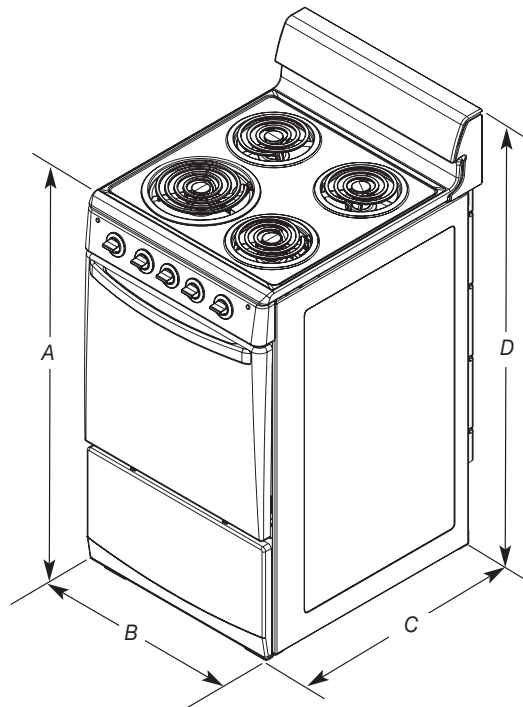
IMPORTANT: If installing a range hood or microwave hood combination above the range, follow the range hood or microwave hood combination installation instructions for dimensional clearances above the cooktop surface.

NOTE: 24" (61.0 cm) minimum when bottom of wood or metal cabinet is covered by not less than $\frac{1}{4}$ " (0.64 cm) flame retardant millboard covered with not less than No. 28 MSG sheet steel, 0.015" (0.4 mm) stainless steel, 0.024" (0.6 mm) aluminum or 0.020" (0.5 mm) copper.

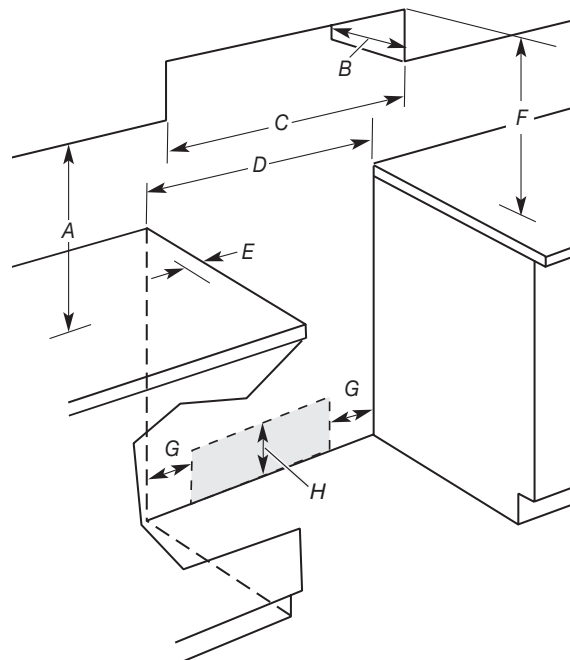
30" (76.2 cm) minimum clearance between the top of the cooking platform and the bottom of an uncovered wood or metal cabinet.

To eliminate the risk of burns or fire by reaching over heated surface units, cabinet storage space located above the surface units should be avoided. If cabinet storage is to be provided, the risk can be reduced by installing a range hood that projects horizontally a minimum of 5" (12.7 cm) beyond the bottom of the cabinets.

PRODUCT DIMENSIONS



A. 36" (91.5 cm)
 B. 19 $\frac{1}{2}$ " (49.5 cm)
 C. 24 $\frac{1}{2}$ " (62.2 cm)
 D. 42" (106.7 cm)



A. 18" (45.7 cm) min. clearance upper side cabinet to countertop
 B. 13" (33.0 cm) max. upper cabinet depth
 C. 20" (50.8 cm) min. cabinet opening width
 D. 20 $\frac{1}{8}$ " (51.1 cm) opening width
 E. 5" (12.7 cm) min. countertop space to side wall or other combustible material
 F. For minimum clearance to top of cooktop, see NOTE.
 G. Wall receptacle - 8" (20.3 cm) from either cabinet,
 H. 5 $\frac{1}{2}$ " (14.0 cm) max. from floor. Locate 120/240-volt receptacle in shaded area.