

Replacement Parts

Replacement Parts and Kits (See page 65 for Item drawings)

Item	Description	Model No.	List Price
1	TurnControl Overflow/Drain Service Kit	242.767.00.1	\$28.00
2	Brass Tee Assembly	—	—
3	Chicago Code Brass Tee Assembly	241.766.00.1	54.00
4	PushControl Overflow/Drain Service Kit	242.768.00.1	17.00
5	PushControl Trim Service Kits		
	Metal Polished Chrome	241.726.21.1	112.00
	ForeverShine™ PVD Brushed Nickel	241.726.ID.1	163.00
	Plastic Polished Chrome	241.725.21.1	71.00
6	Cascading Tub Filler Service Kit	242.769.00.1	17.00
7	Check Valve Kit	240.736.00.1	8.00
8	Cascading Tub Filler Trim Service Kits		
	Metal Polished Chrome	242.776.00.1	42.00
	ForeverShine™ PVD Brass	242.776.GG.1*	46.00
	ForeverShine™ PVD Brushed Nickel	242.776.ID.1†	66.00
8.1	Stream Former Kit	—	—
9	Vacuum Breaker WATTS Model No. 288A	—	—
10	See TurnControl Traditional Metal Handles table below		
12	See TurnControl Traditional Plastic Handles table in next column		
14	See Plunger Assemblies table in next column		
15	TurnControl Handle/Plunger Service Kit	242.777.00.1	18.00

TurnControl Metal Handles (See page 65 for Item drawings)

Finish	Item No. 10 Traditional Model No.	List Price
Polished Chrome	240.702.21.1	\$61.00
Hard Coat Oil Rubbed Bronze	240.702.HM.1	112.00
ForeverShine™ PVD Polished Nickel	240.702.IB.1	96.00
ForeverShine™ PVD Brushed Nickel	240.702.ID.1	96.00
Gold	240.702.45.1†	117.00
Unfinished Brass	240.702.50.1	77.00
Antique Brass	240.702.97.1	87.00
Old Silver Pewter	240.702.98.1	87.00
Satin Brass	240.702.CH.1*	87.00
Black	240.702.EK.1*	102.00
Satin Chrome	240.702.FT.1*	87.00
ForeverShine™ PVD Brass	240.702.GG.1*	87.00
ForeverShine™ PVD Pearl Nickel	240.702.HD.1	102.00
ForeverShine™ PVD Satin Sheen	240.702.HI.1	87.00
ForeverShine™ PVD Platinum	240.702.HJ.1	102.00

TurnControl Plastic Handles (See page 65 for Item drawings)

Finish	Item No. 12 Traditional Model No.	List Price
Alpine White	241.628.11.1	\$41.00
Gold	241.628.45.1†	82.00
Polished Chrome	241.628.21.1	41.00
Bone	241.628.AA.1	41.00
White	241.628.DY.1	41.00
Biscuit	241.628.FF.1	41.00
ForeverShine™ PVD Brass	241.628.GG.1	82.00

Plunger Assemblies (See page 65 for Item drawings)

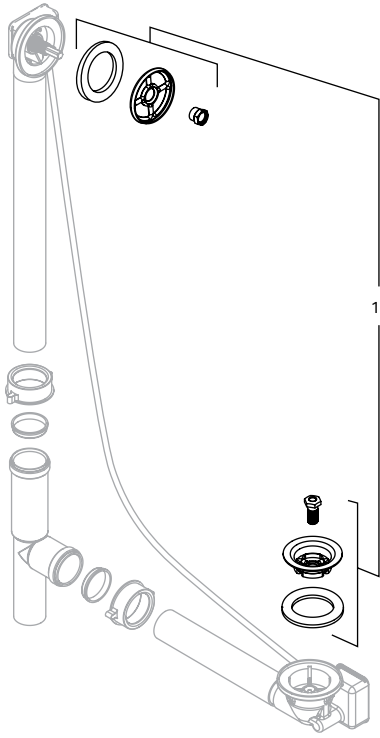
Item	Description	Model No.	List Price
14	Metal Polished Chrome	241.728.21.1	\$31.00
	Gold	241.728.45.1†	51.00
	Antique Brass	241.728.97.1	37.00
	Old Silver Pewter	241.728.98.1	37.00
	Satin Brass	241.728.CH.1*	37.00
	Black	241.728.EK.1*	43.00
	Satin Chrome	241.728.FT.1*	37.00
	ForeverShine™ PVD Brass	241.728.GG.1*	37.00
	ForeverShine™ PVD Pearl Nickel	241.728.HD.1	43.00
	ForeverShine™ PVD Satin Sheen	241.728.HI.1	37.00
	ForeverShine™ PVD Platinum	241.728.HJ.1	43.00
	Hard Coat Oil Rubbed Bronze	241.728.HM.1	56.00
	ForeverShine™ PVD Polished Nickel	241.728.IB.1	41.00
	ForeverShine™ PVD Brushed Nickel	241.728.ID.1	41.00
	Plastic Alpine White	241.727.11.1	26.00
	Polished Chrome	241.727.21.1	31.00
	Gold	241.727.45.1†	51.00
	Bone	241.727.AA.1	26.00
	White	241.727.DY.1	26.00
	Biscuit	241.727.FF.1	26.00
	ForeverShine™ PVD Brass	241.727.GG.1*	37.00

Note: ForeverShine™ finishes ensure the quality and look of your Geberit BWO will last a lifetime. Geberit offers a limited lifetime warranty on ForeverShine™ products installed in residential applications.

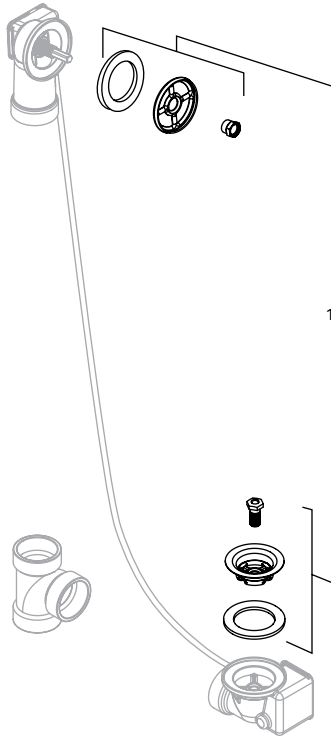
* Finish available only from participating tub manufacturers.

† Until 01/31/2018

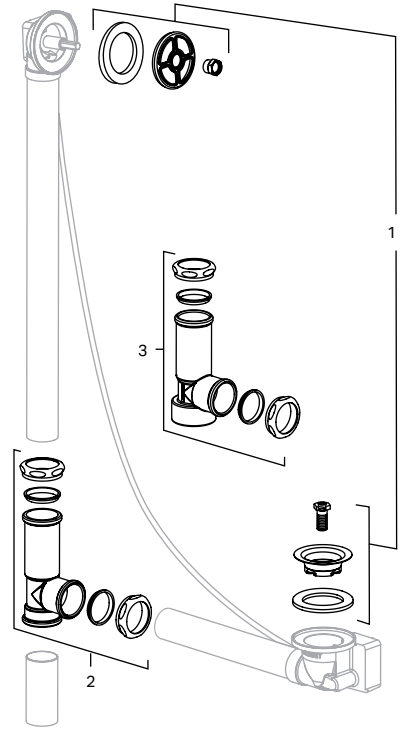
Tubular Plastic



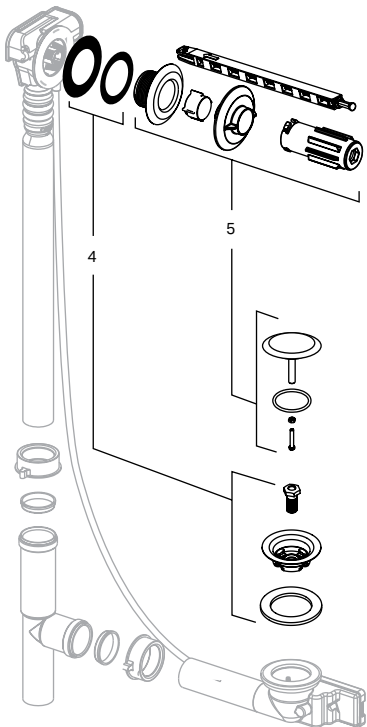
ABS/PVC



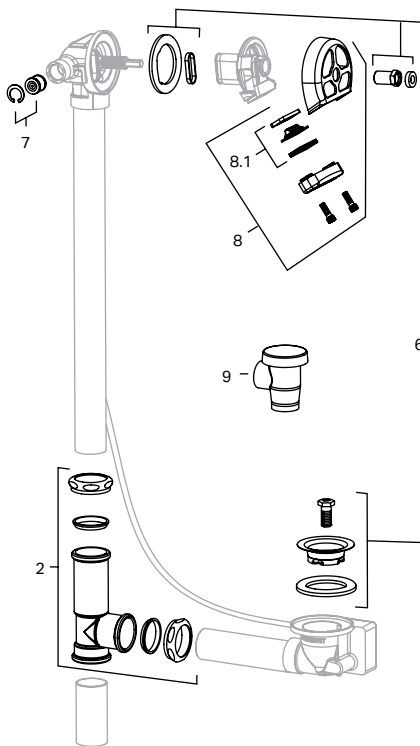
Tubular Brass



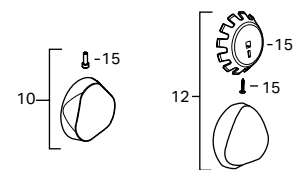
PushControl



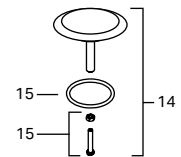
Cascading Tub Filler



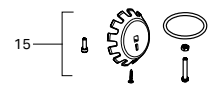
TurnControl Handle Parts



Plungers Parts

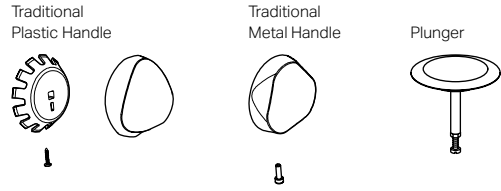


Replacement Parts Kit



TurnControl Trim Kit – Includes Handle and Plunger

		Model No.	
		Traditional	List Price
Metal	Polished Chrome	151.551.21.1	\$98.00
	Hard Coat Oil Rubbed Bronze	151.551.HM.1	155.00
	ForeverShine™ PVD Polished Nickel	151.551.IB.1	150.00
	ForeverShine™ PVD Brushed Nickel	151.551.ID.1	150.00
	Antique Brass	151.551.97.1	141.00
	Old Silver Pewter	151.551.98.1	141.00
	Satin Brass	151.551.CH.1*	—
	Black	151.551.EK.1*	—
	Satin Chrome	151.551.FT.1*	—
	ForeverShine™ PVD Brass	151.551.GG.1*	—
	ForeverShine™ PVD Pearl Nickel	151.551.HD.1	161.00
	ForeverShine™ PVD Satin Sheen	151.551.HI.1	141.00
	ForeverShine™ PVD Platinum	151.551.HJ.1	161.00
Plastic	Alpine White	151.550.11.1	60.00
	Polished Chrome	151.550.21.1	60.00
	Bone	151.550.AA.1	66.00
	White	151.550.DY.1	66.00
	Biscuit	151.550.FF.1	66.00
	ForeverShine™ PVD Brass	151.550.GG.1*	—











*Finish available only from participating tub manufacturers.

TurnControl, Remote Control Trim Kit

Note: if ordering a TurnControl Remote Control Rough-in Unit (page 28), you must order two TurnControl Trim Kits in the desired finish to complete the installation.

TurnControl Accessories

Description	Model No.	List Price	
 ADA Handle Extension, Polished Chrome. For Metal Handles Only	241.789.21.1	\$28.00	
 Test Plug Kit	240.691.00.1	28.00	
 Extended Tub Wall Thickness Kit 3/8"-1/2", Tubular Plastic/Brass Rough-In	241.769.00.1	43.00	
 Extended Tub Wall Thickness Kit 3/8"-1/2", ABS/PVC Rough-In	241.771.00.1	43.00	
 Extended Tub Wall Thickness Kit 3/8"-1/2", Tub Filler	241.772.00.1	43.00	
 Extended Tub Wall Thickness Kit 9/16"-3/4", Tubular/Brass Rough-In	241.773.00.1	43.00	
 Extended Tub Wall Thickness Kit 9/16"-3/4", ABS/PVC Rough-In	241.774.00.1	43.00	
 Extended Tub Wall Thickness Kit 9/16"-3/4", Tub Filler	241.775.00.1	43.00	