



2100 South Clearwater Drive
Des Plaines, IL 60018
Phone: 800-566-2100
Fax: 847-803-5454
www.geberitnorthamerica.com

FOR TECHNICAL ASSISTANCE
1-800-TEC-TRUE (1-800-832-8783)

ROUGH-IN

BY: SID DATE: 04-29-08
CHK: *[Signature]* REV: 08-15-18

FITTING NO.

151.550.XX.1

SUBMITTED MODEL NO.

SUBMITTED AS SHOWN

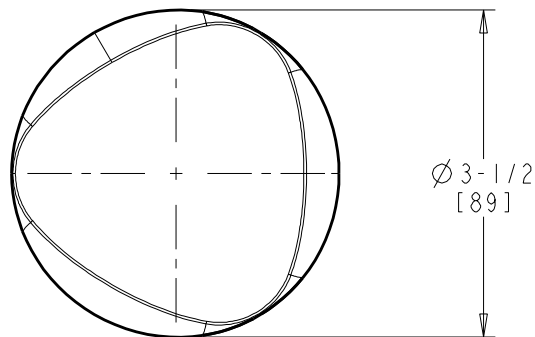
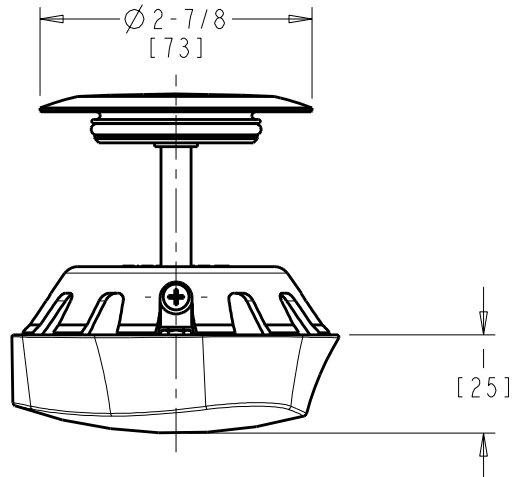
SUBMITTED AS NOTED

SEE ATTACHED FOR
SUBMITTED MODIFICATION

JOB NAME

ITEM NO.

FINISH DESCRIPTION	FINISH CODE (.XX.)
POLISHED CHROME	21
ALPINE WHITE	11
BONE	AA
WHITE	DY
BISCUIT	FF



DIMENSIONS ARE IN INCHES AND [MILLIMETERS].

TECHNICAL DATA

- BATH WASTE AND OVERFLOW TRIM KIT
- PLASTIC TRADITIONAL TURN HANDLE WITH ADAPTER
- PLASTIC PLUNGER HOOD
- FINISH AS SPECIFIED

ROUGHING IN DIMENSIONS MAY VARY AND ARE SUBJECT TO CHANGE. NO RESPONSIBILITY IS ASSUMED FOR USE OF SUPERCEDED OR VOIDED DATA.



2100 South Clearwater Drive
Des Plaines, IL 60018
Phone: 800-566-2100
Fax: 847-803-5454
www.geberitnorthamerica.com

FOR TECHNICAL ASSISTANCE
1-800-TEC-TRUE (1-800-832-8783)

ROUGH-IN

BY: SID DATE: 04-29-08
CHK: *[Signature]* REV: 08-15-18

FITTING NO.

151.551.XX.1

SUBMITTED MODEL NO.

SUBMITTED AS SHOWN

SUBMITTED AS NOTED

SEE ATTACHED FOR
SUBMITTED MODIFICATION

JOB NAME

ITEM NO.

FINISH DESCRIPTION

FINISH CODE
(.XX.)

POLISHED CHROME

21

HARD COAT OIL RUBBED BRONZE

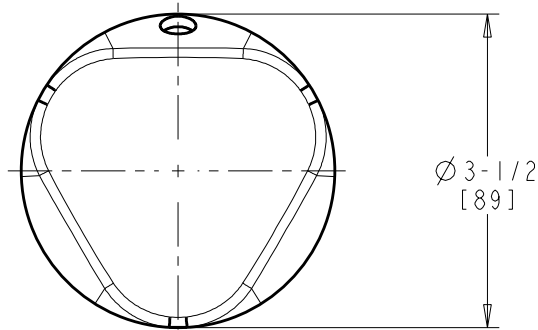
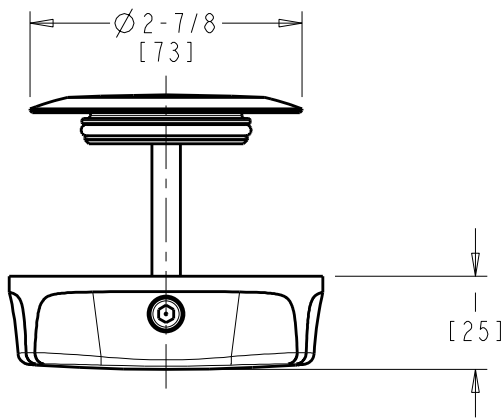
HM

FOREVERSHINE™ PVD POLISHED NICKEL

IB

FOREVERSHINE™ PVD BRUSHED NICKEL

ID



DIMENSIONS ARE IN INCHES AND [MILLIMETERS].

TECHNICAL DATA

- BATH WASTE AND OVERFLOW TRIM KIT
- METAL TRADITIONAL TURN HANDLE
- METAL PLUNGER
- FINISH AS SPECIFIED

ROUGHING IN DIMENSIONS MAY VARY AND ARE SUBJECT TO CHANGE. NO RESPONSIBILITY IS ASSUMED FOR USE OF SUPERCEDED OR VOIDED DATA.