

# ROOF JACK & AIR INTAKE INSTALLATION INSTRUCTIONS

(FOR MANUFACTURED HOME CLOSED COMBUSTION WATER HEATERS)

- Step 1. Determine final installation location of the water heater. Refer to the installation and operation instructions provided with the water heater to allow for appropriate clearances to combustible materials.
- Step 2. Cut a 5 1/2" - 7 1/4" diameter hole in the ceiling and roof directly above the flue outlet (water heater centerline).
- Step 3. Drop a plumb line from the center of the holes in the roof and ceiling and mark that position on the floor (this position is the water heater centerline).

## NOTICE

Air intake installation is only required for water heaters that are NOT Flammable Vapor Ignition Resistant.

- Step 4. Mark the intake centerline (4 1/2" toward the front of the water heater centerline) on the floor and cut a 4 3/4" diameter hole in the floor and the underside sheathing (see Figure 1).

Ø4 3/4"  
IN FLOOR AND UNDERSIDE SHEATHING  
(INTAKE CENTERLINE)

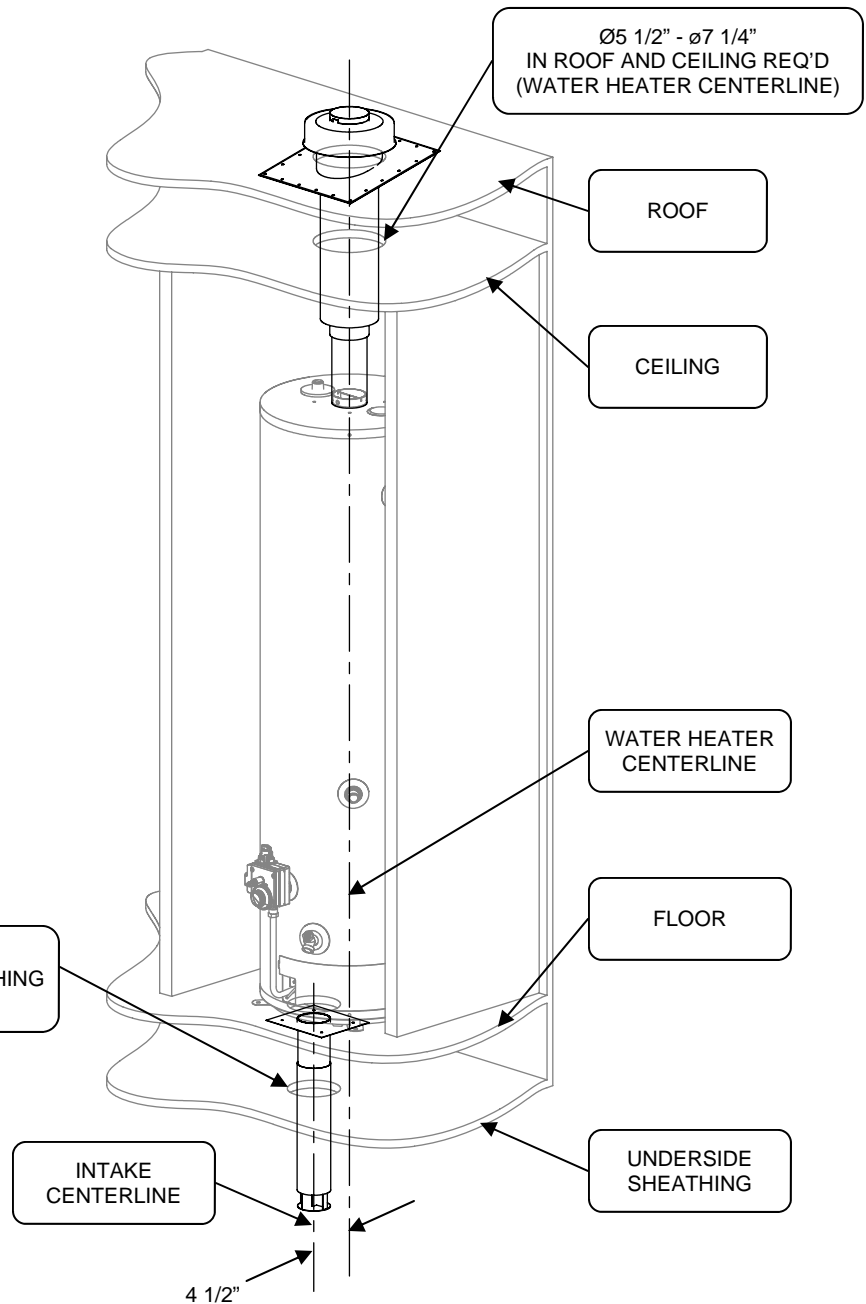
- Step 5. Insert the air intake into the 4 3/4" diameter hole in the floor and fasten to the floor with the (4) screws provided.

- Step 6. Place the air intake seal on top of the air intake mounting flange and around the 3" diameter tube (see Figure 2).

- Step 7. Adjust the air intake so the lower tube extends below the underside sheathing and secure (see Figure 3).

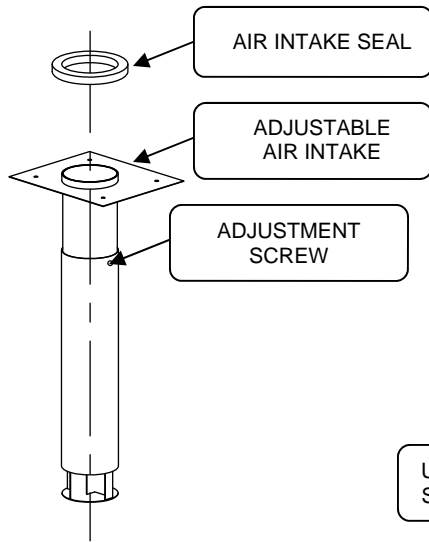
- Step 8. Seal the opening around the air intake and bottom sheathing to resist the entrance of rodents.

- Step 9. Position the water heater so the opening in the base will engage the air intake tube extending above the floor (see Figure 3).

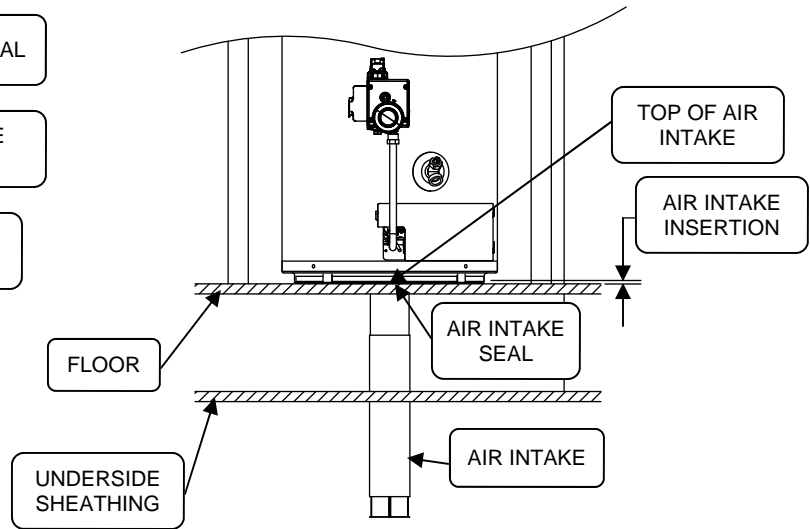


**Figure 1**

# ROOF JACK & AIR INTAKE INSTALLATION INSTRUCTIONS (FOR MANUFACTURED HOME CLOSED COMBUSTION WATER HEATERS)



**Figure 2**



**Figure 3**

Step 10. Align the water heater flue with the opening in the ceiling and roof.

Step 11. Apply a non-hardening mastic on the roof around the opening to form a weather seal with the roof jack flashing.

Step 12. Insert the roof jack into the opening in the roof and ceiling and fasten the flashing of the roof jack to the roof with the sheet metal screws provided. Apply additional mastic to complete the weather seal (see Figure 4).

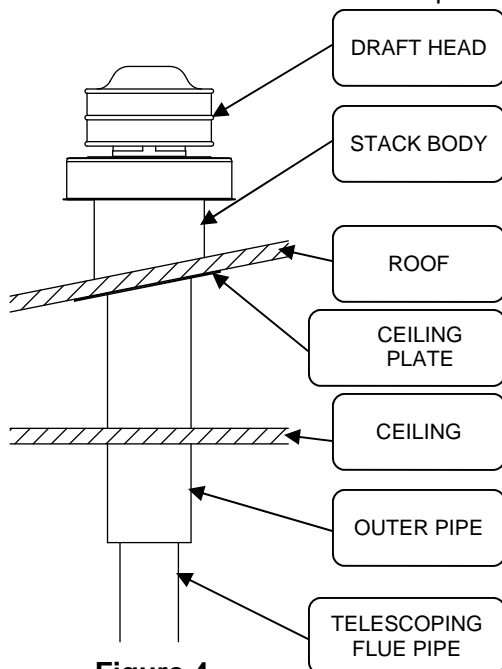
Step 13. If optional ceiling plate is used, place over outer pipe against ceiling and secure with (4) screws (see Figure 4).

**CAUTION**  
Silicone has a strong odor and should have adequate ventilation until cured. Refer to the manufacturers instructions for adequate drying time.

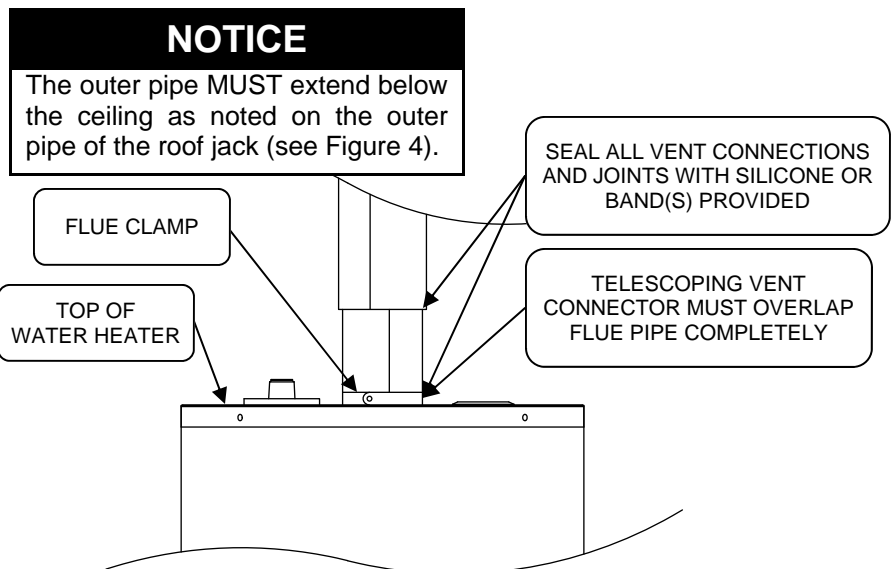
Step 14. Slip the  $\varnothing 3$ " vent connector extension (shipped telescoped in the roof jack) down over the flue pipe which extends above the water heater (see Figure 5).

Step 15. The vent joints must be sealed after the vent kit is installed. This kit will include a tube of silicone or silicone band(s) to be used for sealing the vent joints.

Step 16. Clamp the vent connector extension to the water heater flue pipe with the clamp provided (see Figure 5).



**Figure 4**



**Figure 5**