

# Webstone VALVE INNOVATION T-Flow™ Functionality

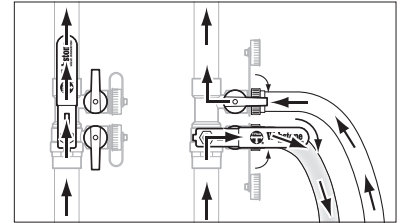
Unlike most conventional ball valves which are designed to stop the flow of fluid, Webstone's unique T-flow pattern ball is designed to divert the flow. When placed in the main flow channel aligned with the drain, this unique flow path makes for a more compact valve with a greater degree of versatility. For easy reference, a "T" is stamped on the end of the stem matching the flow path of the ball. The T-Flow design is incorporated into Webstone products in three variations, providing different advantages depending on the application.

## DESIGN VARIATIONS

### T-Flow Compact Design



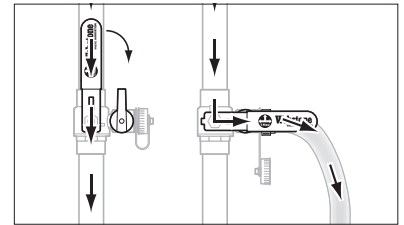
- Compact design.
- 90 handle rotation
- Diverts flow from the main flow channel into the drain.



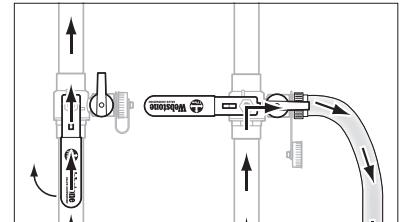
### T-Flow Adjustable Flow Path



- Compact design.
- 90 handle rotation
- Diverts flow from the main flow channel into the drain.
- A quick adjustment to the stem reconfigures the product to drain from the other side of the ball (see next page).
- Products with the Adjustable Flow Path also feature a reversible handle for added versatility.



Draining from Above Ball

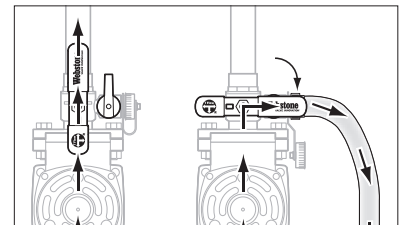


Draining from Below Ball

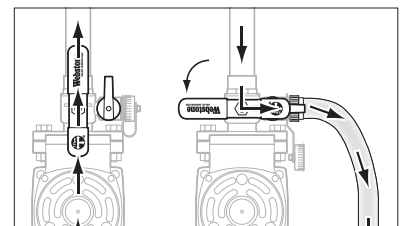
### T-Flow Multi-Function Drain



- Compact design.
- 180 handle rotation
- Diverts fluid into the drain from either side of the ball without any adjustment to the stem.



Draining from Below Ball



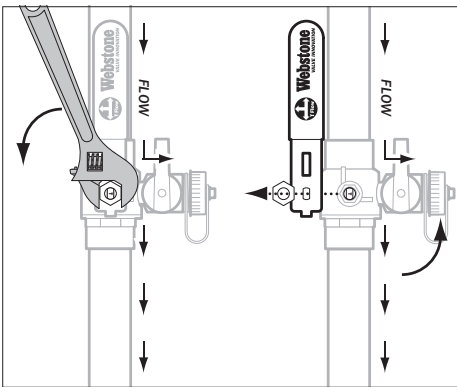
Draining from Above Ball



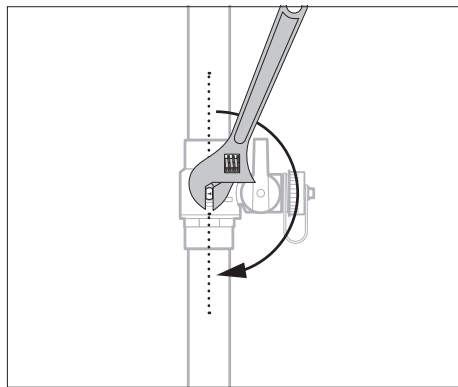
# Flow Path Adjustment & Handle Instructions

- Webstone valves with the T-Flow Adjustable Flow Path may be quickly and easily reconfigured to drain from the other side of the ball by removing the handle and turning the stem 180°. (Illustrated below)
- For added versatility, the handles on these valves are also reversible, regardless of the orientation of the ball. However, reversing the handle without adjusting the ball will cause the T-Flow logo to display the incorrect flow path. In this event, an extra T-Flow sticker has been provided so that the handles may be updated accordingly. (Illustrated below)

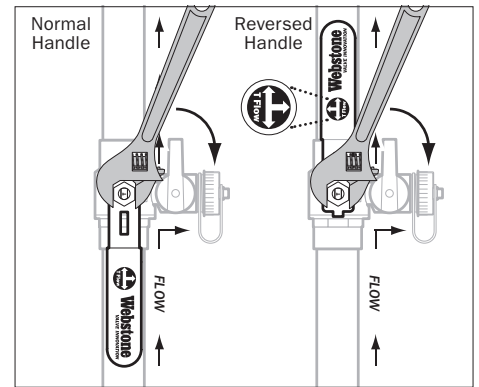
## To Adjust Flow Path



1. Turn handle nut counter clockwise to loosen nut. Remove nut and handle.

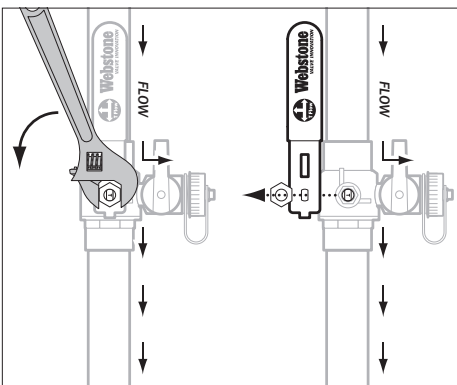


2. Grab stem with wrench or pliers, turn stem 180°.

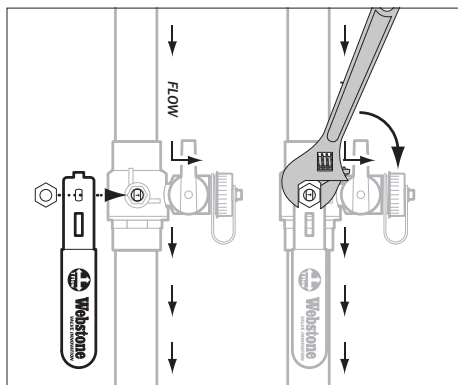


3. Replace handle in normal or reversed position. Replace and tighten nut.
4. If necessary, use enclosed T-Flow sticker to indicate correct flow path on handle. T-Flow logo will match "T" stamped on end of stem.

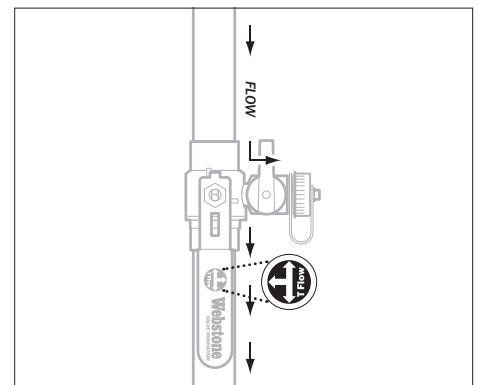
## To Reverse Handle



1. Turn handle nut counter clockwise to loosen nut. Remove nut and handle.



2. Replace handle in desired operating position. Replace and tighten nut.



3. If necessary, use enclosed T-Flow sticker to indicate correct flow path on handle. T-Flow logo will match "T" stamped on end of stem.