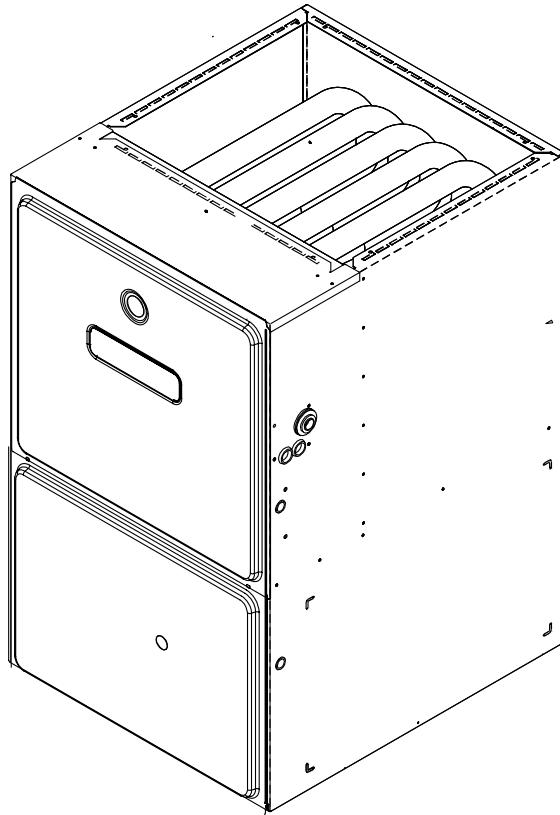




REPAIR PARTS

GCH9 Counterflow Hybrid 90% Furnace

GCH90453BXAA
GCH90703BXAA
GCH90704CXAA
GCH90904CXAA
GCH90905DXAA
GCH91155DXAA



Made in the USA by:
Goodman Manufacturing Company, L.P.
2550 North Loop West, Suite 400
Houston Texas 77092

www.goodmanmfg.com

RP-407
June 2006

Important Information

Index

Functional Parts List	3
Illustration and Parts	4 - 13

Views shown are for parts illustrations only, not servicing procedures

Text Codes:

AR - As Required

NA - Not Available

NS - Not Shown

00000000 - See Note

QTY - Quantity Example (QTY 3) (If Quantity not shown, Quantity = 1)

M - Model Example (M1) (If M Code not shown, then part is used on all Models)

Expanded Model Nomenclature:

Example M1 - Model#1 M2 - Model#2 M3 - Model#3

Goodman Manufacturing Company, L.P. is not responsible for personal injury or property damage resulting from improper service. Review all service information before beginning repairs.

Warranty service must be performed by an authorized technician, using authorized factory parts. If service is required after the warranty expires, Goodman Manufacturing Company, L.P. also recommends contacting an authorized technician and using authorized factory parts.

Goodman Manufacturing Company, L.P. reserves the right to discontinue, or change at any time, specifications or designs without notice or without incurring obligations. Goodman® brand products are proudly made in the USA.

For assistance within the U.S.A. contact:
Consumer Affairs Department
Goodman Manufacturing Company, L.P.
7401 Security Way
Houston, Texas 77040
877-254-4729-Telephone
713-863-2382-Facsimile

For assistance outside the U.S.A. contact:
International Division
Goodman Manufacturing Company, L.P.
7401 Security Way
Houston, Texas 77040
713-861-2500-Telephone
713-863-2382-Facsimile

Functional Parts

Part

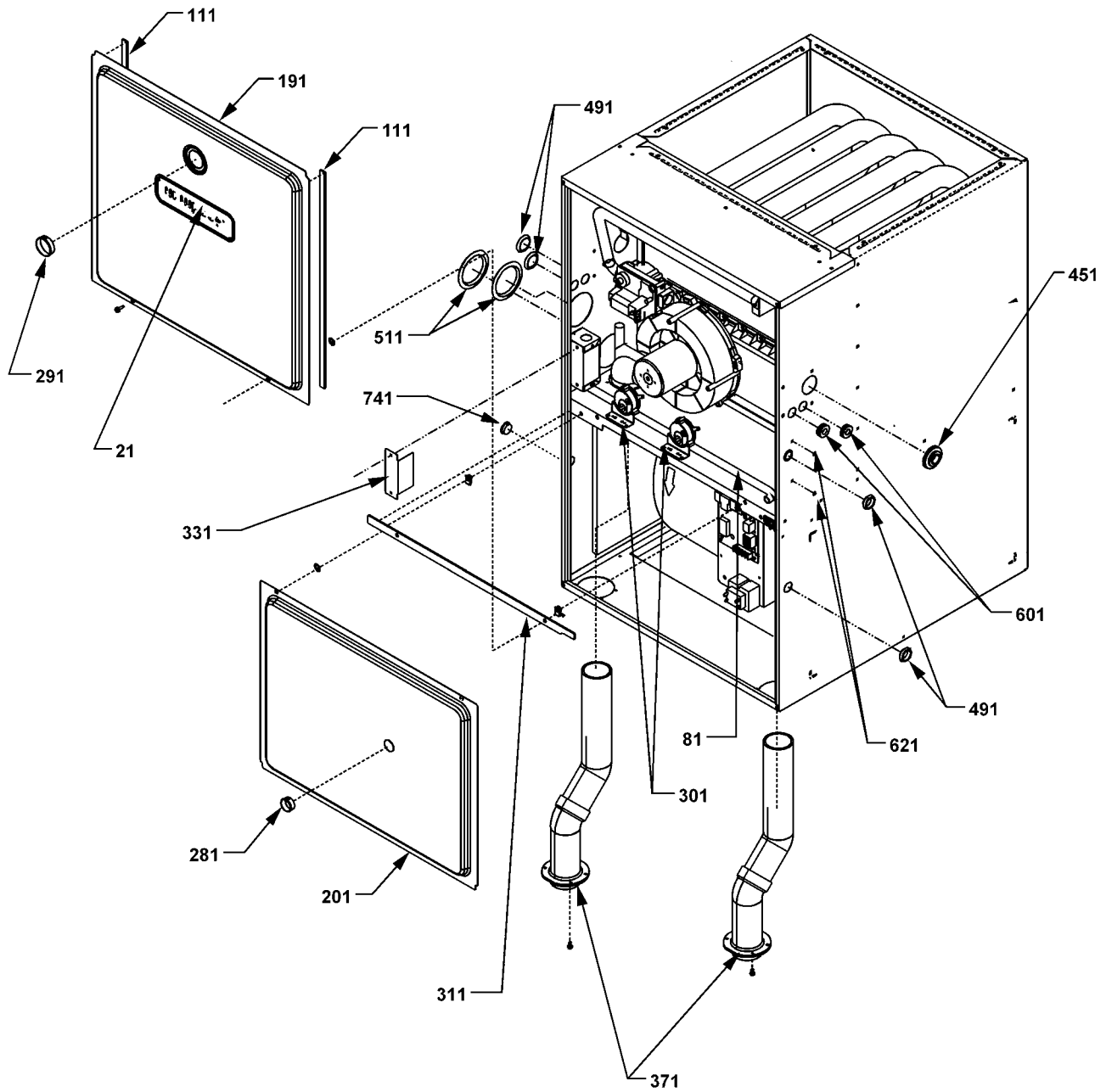
No: Description:

Part No:	Description:	RP-405	REPAIR PARTS MANUAL
0257F00037PS	ASSY-HEAT EXCHANGER 2B (M1)	10195518Q	STNDPIPE BAG ASSY
0257F00034PS	ASSY-HEAT EXCHANGER 3B (M2)	Expanded Model Nomenclature	
0257F00036PS	ASSY-HEAT EXCHANGER 3B (M3)	<div style="border: 1px solid black; padding: 5px;"> M1 - GCH90453BXAA M2 - GCH90703BXAA M3 - GCH90704CXAA M4 - GCH90904CXAA M5 - GCH90905DXAA M6 - GCH91155DXAA </div>	
0257F00035PS	ASSY-HEAT EXCHANGER 4B (M4)		
20194433S	ASSY-HEAT EXCHANGER 4B (M5)		
20317338	ASSY-HEAT EXCHANGER 5B (M6)		
10735102S	BECKETT BURNER (QTY 2)		
D6879757	CAPACITOR (M3, M4)		
B945672	CAPACITOR (M1, M2)		
D6879748	CAPACITOR (M5, M6)		
20488501	FLAME SENSOR		
0151F00000P	GAS VALVE		
20201902	HOSE-DRAIN		
20201901	HOSE-DRAIN		
22307501S	ID BLOWER		
0130F00008	IGNITOR-SINI 17 SEC		
0130F00006	INTEGRATED CONTROL BOARD		
20162906	LIMIT (M1, M2, M3, M5)		
20162904	LIMIT (M4)		
20162907	LIMIT (M6)		
10123534	LIMIT-MANUAL RESET (M4, M5)		
10123517	LIMIT-MANUAL RESET (M1, M2, M3, M6)		
10123519	LIMIT-MANUAL RESET (M1, M2, M4, M6)		
10123518	LIMIT-MANUAL RESET (M3, M5)		
20196403	MANIFOLD (M4, M5)		
20196402	MANIFOLD (M2, M3)		
20196404	MANIFOLD (M6)		
20196401	MANIFOLD (M1)		
10759415	MOTOR-BLOWER 3/4 HP (M5, M6)		
B1340024S	MOTOR-DIRECT DRIVE 1/2 HP (M3, M4)		
B1340025S	MOTOR-DIRECT DRIVE 1/3 HP (M1, M2)		
B4089343	ORIFICE (QTY AR)		
B1370818	SWITCH-INTERLOCK		
20197311	SWITCH-PRESSURE (M1, M2, M4, M6)		
20197313	SWITCH-PRESSURE (M3, M5)		
B1141605	TRANSFORMER 120V TO 24V, 40VA		
0259F00024	WIRE HARNESS-BLOWER		
0159F00002	WIRING HARNESS		

SPECIAL PARTS

B2810816	2" MESH INSERT
B2810814	3" MESH INSERT
HI-115	HOMEOWNER INSTRUCTIONS
IO-661	INSTALLATION INSTRUCTIONS
IO-244C	INSTALLATION INSTRUCTIONS
22323501	INSTALL-HUMIDIFIER
0161F00000P	NAMEPLATE, GOODMAN

Cabinet



Cabinet

Ref. Part No:	No:	Description:	Ref. Part No:	No:	Description:
<i>Image 1:</i>					
21	0161F00000P	NAMEPLATE, GOODMAN			
81	20201902	HOSE-DRAIN			
111	20179308	GASKET (QTY 2)			
191	20523902	DOOR-ACCESS (M1, M2)			
191	20523904	DOOR-ACCESS (M3, M4)			
191	20523906	DOOR-ACCESS (M5, M6)			
201	20524002	DOOR-BLOWER (M1, M2)			
201	20524004	DOOR-BLOWER (M3, M4)			
201	20524006	DOOR-BLOWER (M5, M6)			
281	B1392139	VIEW PORT BUSHING, BLOWER DOOR			
291	11104002	VIEW PORT BUSHING-ACCESS DOOR			
301	20197311	SWITCH-PRESSURE (M1, M2, M4, M6)			
301	20197313	SWITCH-PRESSURE (M3, M5)			
311	22320001	GASKET-DECK (M1, M2)			
311	22320002	GASKET-DECK (M3, M4)			
311	22320003	GASKET-DECK (M5, M6)			
331	10736201	COVER-HIGH VOLTAGE BOX			
371	22309502	FLUE PIPE (QTY 2)			
451	M0501301	PIPE GROMMET			
491	M0570808	PLUG-BUTTON (QTY 4)			
511	M0570807	PLUG-BUTTON			
601	A4691701	GROMMET (QTY 2)			
621	M0310345	BUTTON-PLUG (QTY 2)			
741	B1392104	UNIVERSAL BUSHING (QTY 2)			

Expanded Model Nomenclature

M1 - GCH90453BXAA
M2 - GCH90703BXAA
M3 - GCH90704CXAA
M4 - GCH90904CXAA
M5 - GCH90905DXAA
M6 - GCH91155DXAA

Blower Assembly

Image 1

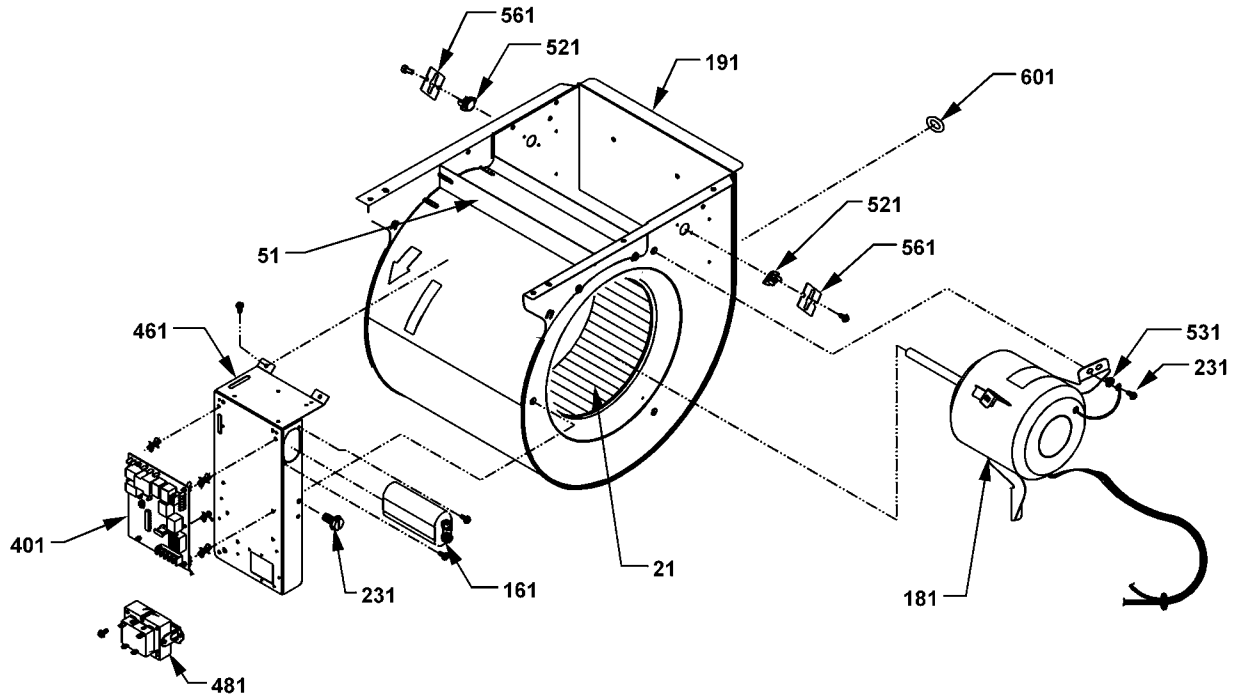
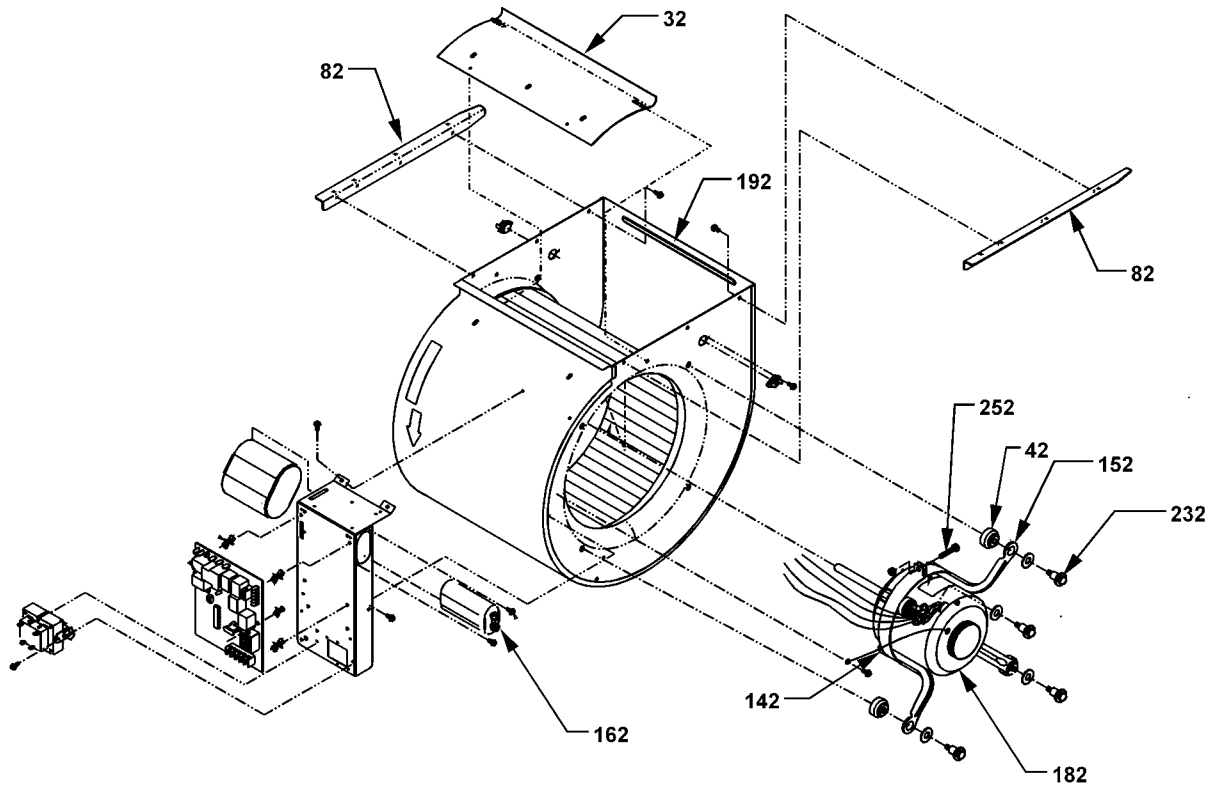


Image 2



Blower Assembly

Ref. Part No:	Ref. Part No:	Description:	Description:
---------------	---------------	--------------	--------------

Image 1:

21	B1368047A	BLOWER WHEEL 10 X 10 (M3, M4)
21	B1368058S	BLOWER WHEEL 10 X 8 (M1, M2)
21	D6723311	BLOWER WHEEL 11 X 10 (M5, M6)
51	764741F	BLOWER BLK-OFF 10 X 10 (M3, M4)
51	764740F	BLOWER BLK-OFF 10 X 8 (M1, M2)
51	20191201	BRACKET-COIL (QTY 2)
161	B945672	CAPACITOR (M1, M2)
161	D6879757	CAPACITOR (M3, M4)
181	B1340024S	MOTOR-DIRECT DRIVE 1/2 HP (M3, M4)
181	B1340025S	MOTOR-DIRECT DRIVE 1/3 HP (M1, M2)
191	0271F00004P	ASSY-BLOWER HOUSING 10 X 10 (M3, M4)
191	0271F00001P	ASSY-BLOWER HOUSING 10 X 8 (M1, M2)
231	M0250558	SCREW-TC (M1, M2, M3, M4)
401	0130F00006	INTEGRATED CONTROL BOARD
461	0121F00025P	BRACKET-CONTROL
481	B1141605	TRANSFORMER 120V TO 24V, 40VA
521	10123518	LIMIT-MANUAL RESET (M3, M5)
521	10123519	LIMIT-MANUAL RESET (M1, M2, M4, M6)
531	B1392143	GROMMET, 26TAL F/TORSIN FLEX (M1, M2, M3, M4)
561	2509503F	BRACKET F/ROLLOUT SWITCH (M1, M2, M3, M4)
601	A4691701	GROMMET (QTY 2)
NS	0259F00024	WIRE HARNESS-BLOWER

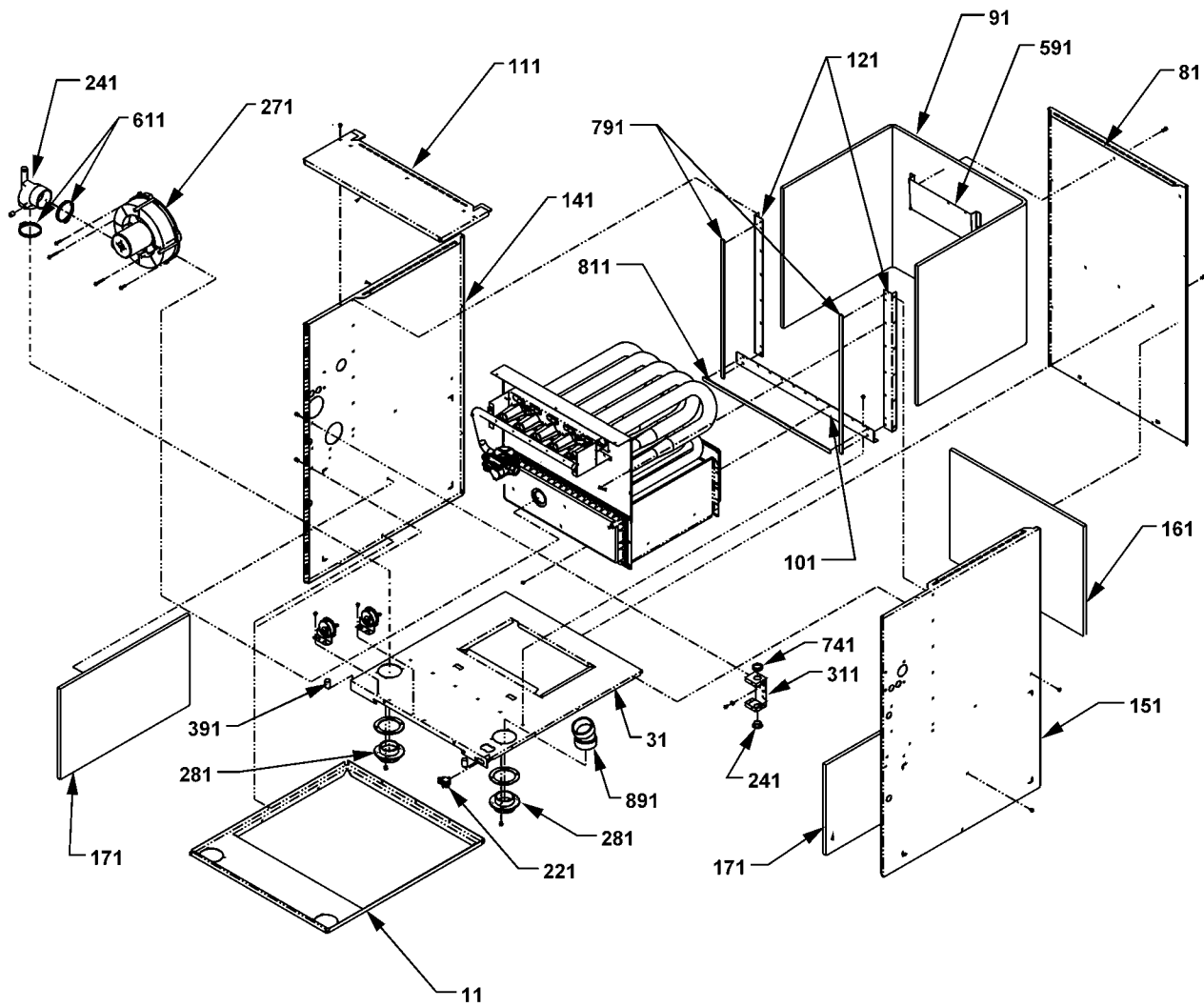
Image 2:

32	C6121807	CUT-OFF (M5, M6)
42	A4002701	GROMMET (M5, M6)
82	20175101	RAIL-BLOWER SIDE (M5, M6)
142	10441601	MOTOR MOUNT-BAND (M5, M6)
152	10441501	MOTOR MOUNT-ARM (M5, M6)
162	D6879748	CAPACITOR (M5, M6)
182	10759415	MOTOR-BLOWER 3/4 HP (M5, M6)
192	0271F00047	ASSY-BLOWER HOUSING 11 X 10 (M5, M6)
232	M0221461	SCREW-TC (M5, M6)
252	M0267144	SCREW-MACHINE (M5, M6)

Expanded Model Nomenclature

- M1 - GCH90453BXAA
- M2 - GCH90703BXAA
- M3 - GCH90704CXAA
- M4 - GCH90904CXAA
- M5 - GCH90905DXAA
- M6 - GCH91155DXAA

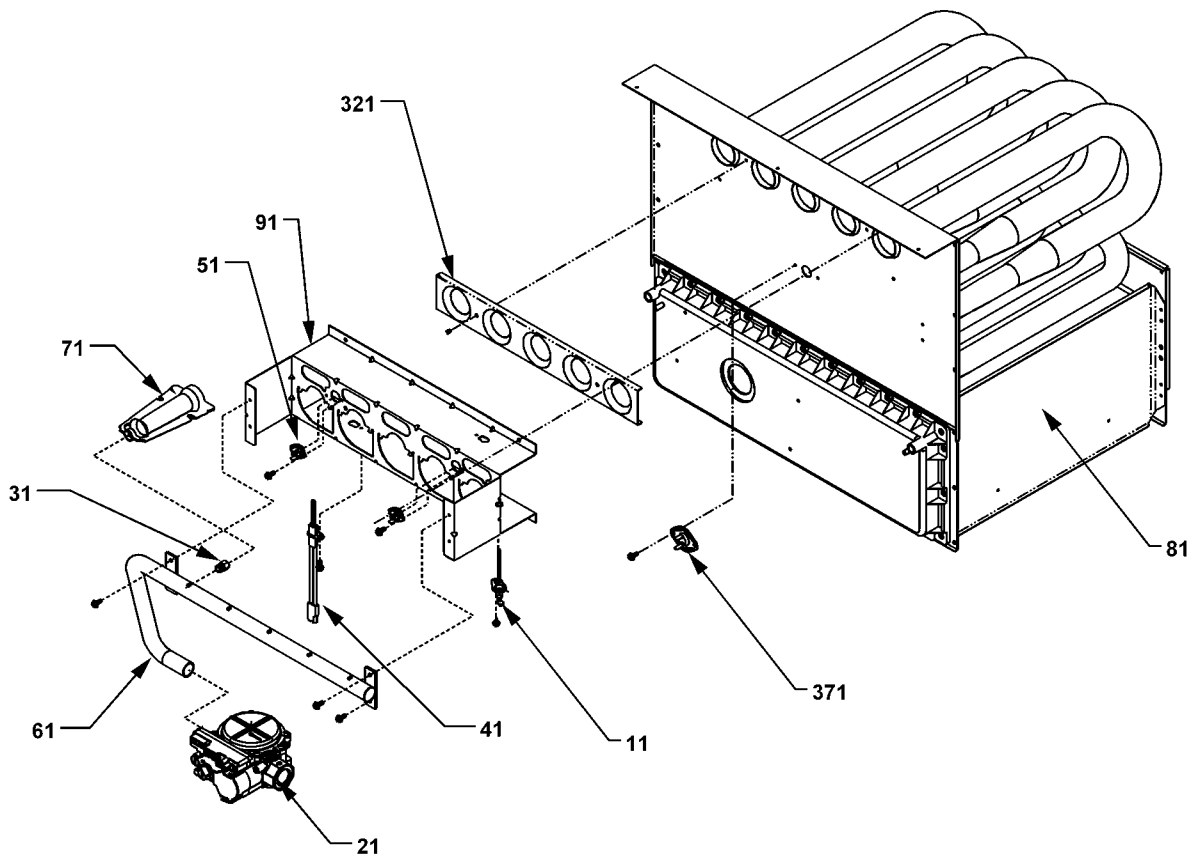
Chassis



Chassis

Ref. Part No:	Ref. Part No:	Description:	Description:
<i>Image 1:</i>			NS 22323711 HOSE-PRESSURE SWITCH (M5, M6)
11	20273508	BASEPAN (M1, M2)	NS 0159F00002 WIRING HARNESS
11	20273510	BASEPAN (M3, M4)	Expanded Model Nomenclature
11	20273512	BASEPAN (M5, M6)	M1 - GCH90453BXAA
31	0121F00044	DECK-BLOWER 17.5" (M1, M2)	M2 - GCH90703BXAA
31	0121F00046	DECK-BLOWER 21" (M3, M4)	M3 - GCH90704CXAA
31	0121F00049	DECK-BLOWER 24.5" (M5, M6)	M4 - GCH90904CXAA
81	20273214	PANEL-BACK (M1, M2)	M5 - GCH90905DXAA
81	20273216	PANEL-BACK (M3, M4)	M6 - GCH91155DXAA
81	20273218	PANEL-BACK (M5, M6)	
91	C6415909	INSULATION-HEAT EXCHANGER (M5, M6)	
91	C6415910	INSULATION-HEAT EXCHANGER (M1, M2)	
91	C6415911	INSULATION-HEAT EXCHANGER (M3, M4)	
101	0121F00018P	RAIL-DECK (M1, M2)	
101	0121F00019P	RAIL-DECK (M3, M4)	
101	20191303	RAIL-DECK (M5, M6)	
111	0270F00103P	ASSY-TOP COVER (M1, M2)	
111	0270F00104P	ASSY-TOP COVER (M3, M4)	
111	0270F00105P	ASSY-TOP COVER (M5, M6)	
121	20191602	RAIL-SIDE (M1, M2)	
121	20191603	RAIL-SIDE (M3, M4)	
121	20191604	RAIL-SIDE (M5, M6)	
141	0121F00036PDG	PANEL-SIDE LH	
151	0121F00034PDG	PANEL-SIDE RH	
161	20006601	INSULATION (M1, M2)	
161	20006602	INSULATION (M3, M4)	
161	20006603	INSULATION (M5, M6)	
171	20006604	INSULATION-SIDE (QTY 2)	
221	B1370818	SWITCH-INTERLOCK	
241	20171802	ELBOW	
271	22307501S	ID BLOWER	
281	20049701	COUPLING-FA (QTY 2)	
311	10736102	BOX-HIGH VOLTAGE	
391	M0275521	SEALER-PLASTIC (QTY 2)	
421	A4554801	SNAP BUSHING	
591	11165107	SHIELD ID BLOWER	
611	A3326002	CLAMP-HOSE (QTY 2)	
741	B1392104	UNIVERSAL BUSHING (QTY 2)	
791	20194608	GASKET (QTY 2)	
811	20194605	GASKET (M1, M2)	
811	20194606	GASKET (M3, M4)	
811	20194607	GASKET (M5, M6)	
891	C6455901	ELBOW-22 1/2 ELL	
NS	22323704	HOSE-PRESSURE SWITCH	
NS	22323708	HOSE-PRESSURE SWITCH (M1, M2)	
NS	22323709	HOSE-PRESSURE SWITCH (M3, M4)	

Heat Exchanger/Manifold/Gas Valve



Heat Exchanger/Manifold/Gas Valve

Ref. Part No:	Ref. Part No:	Description:	Description:
---------------	---------------	--------------	--------------

Image 1:

11	0130F00008	IGNITOR-SINI 17 SEC
21	0151F00000P	GAS VALVE
31	B4089343	ORIFICE (QTY AR)
41	20488501	FLAME SENSOR
51	10123517	LIMIT-MANUAL RESET (M1, M2, M3, M6)
51	10123534	LIMIT-MANUAL RESET (M4, M5)
61	20196401	MANIFOLD (M1)
61	20196402	MANIFOLD (M2, M3)
61	20196403	MANIFOLD (M4, M5)
61	20196404	MANIFOLD (M6)
71	10735102S	BECKETT BURNER (QTY 2)
81	0257F00037PS	ASSY-HEAT EXCHANGER 2B (M1)
81	0257F00034PS	ASSY-HEAT EXCHANGER 3B (M2)
81	0257F00036PS	ASSY-HEAT EXCHANGER 3B (M3)
81	0257F00035PS	ASSY-HEAT EXCHANGER 4B (M4)
81	20194433S	ASSY-HEAT EXCHANGER 4B (M5)
81	20317338	ASSY-HEAT EXCHANGER 5B (M6)
91	20190410	BRACKET-BURNER 2B (M1)
91	20190411	BRACKET-BURNER 3B (M2, M3)
91	20190412	BRACKET-BURNER 4B (M4, M5)
91	20190413	BRACKET-BURNER 5B (M6)
321	11072201	SHIELD-ORIFICE (M1)
321	11072202	SHIELD-ORIFICE (M2, M3)
321	11072203	SHIELD-ORIFICE (M4, M5)
321	11072204	SHIELD-ORIFICE (M6)
371	20162904	LIMIT (M4)
371	20162906	LIMIT (M1, M2, M3, M5)
371	20162907	LIMIT (M6)

Expanded Model Nomenclature

M1 - GCH90453BXAA
M2 - GCH90703BXAA
M3 - GCH90704CXAA
M4 - GCH90904CXAA
M5 - GCH90905DXAA
M6 - GCH91155DXAA

Recup Coil Assy/Standpipe Bag Assy

Image 1

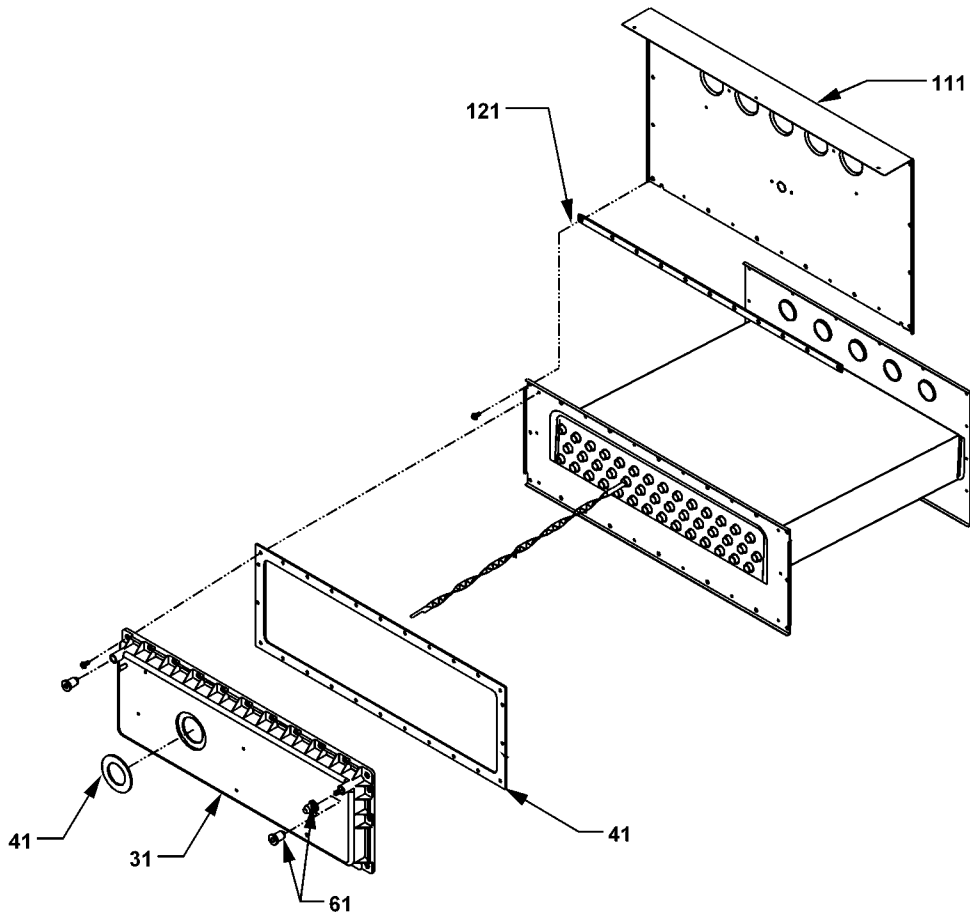
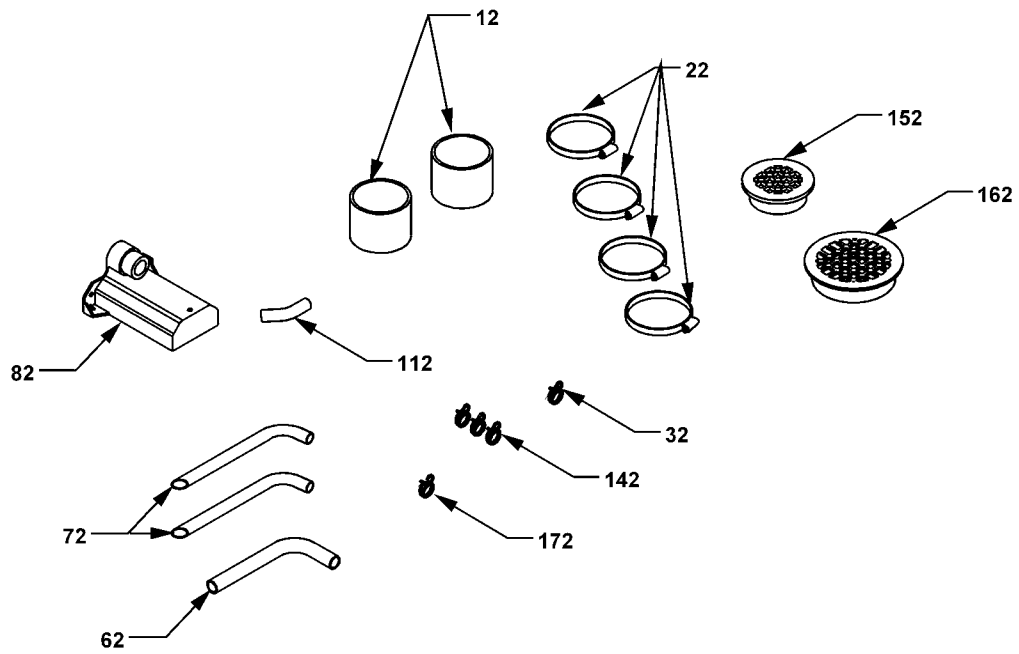


Image 2



Recup Coil Assy/Standpipe Bag Assy

Ref. Part No:	Ref. Part No:	Description:	Description:
---------------	---------------	--------------	--------------

Image 1:

31	20170801A	COVER-FRONT (M1)
31	20170802A	COVER-FRONT (M2)
31	20170901A	COVER-FRONT (M3)
31	20170902A	COVER-FRONT (M4)
31	20171001A	COVER-FRONT (M5)
31	20171002A	COVER-FRONT (M6)
41	20179307	GASKET-COIL (M5, M6)
41	20179309	GASKET-COIL (M1, M2)
41	20179310	GASKET-COIL (M3, M4)
61	M0326804	PLUG-TUBE (QTY 3)
111	20191401	PANEL-PART 2B (M1)
111	20191402	PANEL-PART 3B (M2)
111	20191403	PANEL-PART 3B (M3)
111	20191404	PANEL-PART 4B (M4)
111	20191405	PANEL-PART 4B (M5)
111	20191406	PANEL-PART 5B (M6)
121	20194605	GASKET (M1, M2)
121	20194606	GASKET (M3, M4)
121	20194607	GASKET (M5, M6)

Image 2:

12	10254303	COUPLING-RUBBER (QTY 2)
22	A3326002	CLAMP-HOSE (QTY 4)
32	M0119207	CLAMP-HOSE
62	20201901	HOSE-DRAIN
72	20201802	TUBE-DRAIN (QTY 2)
82	20171701	DRAIN TRAP
112	20214203	DRAIN ANGLE
142	M0119205	CLAMP-HOSE (QTY 3)
152	B2810816	2" MESH INSERT
162	B2810814	3" MESH INSERT
172	M0119206	CLAMP-HOSE

Expanded Model Nomenclature

M1 - GCH90453BXAA
M2 - GCH90703BXAA
M3 - GCH90704CXAA
M4 - GCH90904CXAA
M5 - GCH90905DXAA
M6 - GCH91155DXAA